



Integrator's Reference Manual for Polycom® HDX® Systems

Trademark Information

Polycom®, the Polycom “Triangles” logo, and the names and marks associated with Polycom’s products are trademarks and/or service marks of Polycom, Inc., and are registered and/or common-law marks in the United States and various other countries.

All other trademarks are the property of their respective owners.

Patent Information

The accompanying product may be protected by one or more U.S. and foreign patents and/or pending patent applications held by Polycom, Inc.

Customer Feedback

We are constantly working to improve the quality of our documentation, and we would appreciate your feedback. Please send email to videodocumentation@polycom.com.

© 2012 Polycom, Inc. All rights reserved.

Polycom, Inc.
6001 America Center Drive
San Jose, CA 95002
USA

No part of this document may be reproduced or transmitted in any form or by any means, electronic or mechanical, for any purpose, without the express written permission of Polycom, Inc. Under the law, reproducing includes translating into another language or format.

As between the parties, Polycom, Inc., retains title to and ownership of all proprietary rights with respect to the software contained within its products. The software is protected by United States copyright laws and international treaty provision. Therefore, you must treat the software like any other copyrighted material (e.g., a book or sound recording).

Every effort has been made to ensure that the information in this manual is accurate. Polycom, Inc., is not responsible for printing or clerical errors. Information in this document is subject to change without notice.

About This Guide

The Integrator's Reference Manual for Polycom® HDX® Systems is for system integrators who need to configure, customize, manage, and troubleshoot Polycom HDX systems. The API commands in this guide are applicable to the Polycom HDX 9000 series, Polycom HDX 8000 HD series, Polycom HDX 7000 HD series and Polycom HDX 6000 HD series systems.

Contents

About This Guide	iii
-------------------------------	------------

1 Room Integration

Setting Up a Room for Video Conferencing	1-1
Room Layout Examples	1-1
Setting Up the Room for Polycom People On Content™	1-4
Polycom HDX Installation Precautions	1-5
Integrating Video	1-7
Connecting Polycom Cameras	1-7
Connecting Sony and ELMO Cameras	1-19
Connecting Vaddio and Canon Cameras	1-21
Integrating Audio and Content	1-23
Connecting a Computer to a Polycom HDX 9000 Series System ..	1-23
Connecting a Vortex® Mixer to a Polycom HDX 9000 Series System	1-27
Connecting a Polycom SoundStructure C-Series Mixer to a Polycom HDX System	1-28

2 Cables

Network Cables	2-1
CAT 5e LAN Cable	2-1
LAN Cable	2-3
Polycom Touch Control LAN Cable	2-4
ISDN Cable	2-5
Analog Telephone (POTS) Cable	2-7
V.35/RS-449/RS-530 Serial Adapter	2-8
V.35 NIC Cable	2-9
V.35 and RS-366 Serial Cable	2-10
RS-449 and RS-366 Serial Cable	2-11
RS-530 with RS-366 Serial Cable	2-12
Polycom Touch Control Power Adapter	2-14
Video and Camera Cables	2-15

S-Video Cable	2-15
BNC to S-Video Cable	2-16
BNC to S-Video Adapter	2-17
S-Video to RCA Adapter	2-18
DVI to VGA Monitor Cable	2-19
HDMI Monitor Cable	2-20
BNC Monitor Adapter Cable	2-21
Polycom HDX Component Monitor Cable	2-22
HDX Component Video Cable	2-23
DVI-D Monitor Cable	2-24
Component A/V Monitor Cable	2-25
HDCI Analog Camera Cable	2-26
HDCI Polycom EagleEye Director Cable	2-28
HDCI Camera Break-Out Cable	2-30
HDCI PowerCam Plus Adapter Cable	2-31
HDCI VISCA Adapter Cable	2-32
HDCI Polycom EagleEye 1080 Camera Cable	2-33
HDCI Polycom EagleEye View Camera Cable	2-35
HDCI Sony VISCA Adapter Cable	2-36
HDCI Polycom EagleEye View Camera Cable	2-37
VCR/DVD Composite Cable	2-38
Composite Video Cable	2-39
PowerCam Primary Camera Cable	2-40
PowerCam Break-Out Cable	2-41
PowerCam Plus/VISCA Control Cable	2-42
PowerCam Plus Primary Cable	2-43
People+Content Cable	2-45
Audio Cables	2-46
Polycom HDX Microphone Array Host Cable	2-46
Polycom HDX Microphone Array Cable	2-48
Polycom HDX Microphone Array Cable Adapter	2-49
Polycom HDX Ceiling Microphone Adaptor Cable	2-50
Polycom HDX Microphone Array Crossover Cable	2-51
Custom Cabling for Polycom HDX Microphone Arrays	2-53
Audio Adapter Cable	2-56
Audio Cable	2-57
Vortex Cable	2-58
3.5mm Screw Cage Connector	2-59
Subwoofer Volume Attenuator	2-60

Polycom EagleEye Director Audio Feedback Phoenix to Phoenix Cable	2-61
Polycom EagleEye Director Audio Feedback Phoenix to RCA Cable	2-62
Serial Cables	2-63
Straight-Through Serial Cable	2-63
Null Modem Adapter	2-65

3 Using the API

Using the API with an RS-232 Interface	3-1
Configuring the RS-232 Interface	3-1
Starting an API Session using an RS-232 Interface	3-3
Using the API with the Maximum Security Profile Enabled	3-4
Using the API with a LAN Connection	3-4
Using the API Controller Code	3-4
Additional API Resources	3-5
Technical Support Contact Information	3-5
Feature Enhancement Request Web Site	3-5
Video Test Numbers	3-5
Knowledge Base	3-5

4 System Commands

About the API Commands	4-2
Syntax Conventions	4-2
Availability of Commands	4-2
Command Response Syntax	4-3
Commands that Restart the System	4-5
Additional Tips	4-5
!	4-7
abk (deprecated)	4-9
addrbook	4-12
addressdisplayedingab	4-19
advnetstats	4-20
alertusertone	4-22
alertvideotone	4-23
all register	4-24
all unregister	4-26
allowabkchanges	4-27
allowcamerapresetssetup	4-28
allowdialing	4-29

allowmixedcalls	4-30
allowusersetup	4-31
amxdd	4-32
answer	4-33
areacode	4-34
audiometer	4-35
audiotransmitlevel	4-37
autoanswer	4-38
autoshowcontent	4-39
backlightcompensation	4-40
basicmode	4-41
bri1enable, bri2enable, bri3enable, bri4enable	4-42
briallenable	4-43
button	4-44
calendardomain	4-48
calendarmeetings	4-49
calendarpassword	4-54
calendarplaytone	4-55
calendarregisterwithserver	4-56
calendarremindertime	4-57
calendarresource	4-58
calendarserver	4-59
calendarshowpvtmeetings	4-60
calendarstatus	4-61
calendaruser	4-62
calldetail	4-63
calldetailreport	4-64
callinfo	4-65
callstate	4-66
callstats	4-68
camera	4-69
cameradirection	4-73
camerainput	4-74
chaircontrol	4-75
clientvalidatepeercert	4-77
cmdecho	4-78
colorbar	4-79
configchange (deprecated)	4-80
configdisplay	4-81
configparam	4-83

configpresentation	4-84
confirmdiradd	4-86
confirmdirdel	4-87
contentauto	4-88
contentsplash	4-89
contentvideoadjustment	4-90
country	4-91
cts	4-92
daylightsavings	4-93
dcd	4-94
dcdfilter	4-95
defaultgateway	4-96
destunreachabletx	4-97
dhcp	4-98
dial	4-99
dialchannels	4-103
diffservaudio, diffservfec, diffservvideo	4-104
directory	4-105
display (deprecated)	4-106
displayglobaladdresses	4-108
displaygraphics	4-109
displayipext	4-110
displayipisdninfo (deprecated)	4-111
displayparams	4-112
dns	4-114
dsr	4-115
dsranswer	4-116
dtr	4-117
dualmonitor	4-118
dynamicbandwidth	4-119
e164ext	4-120
echo	4-121
echocanceller	4-122
echoreply	4-123
enablefirewalltraversal	4-124
enablekeyboardnoisereduction	4-125
enablelivemusicmode	4-126
enablepvec	4-127
enablersvp	4-128
enablesnmp	4-129

encryption	4-130
exit	4-132
exportdirectory	4-133
exportprofile	4-135
farcontrolnearcamera	4-137
farnametimedisplay	4-138
flash	4-139
gabk (deprecated)	4-140
gabpassword	4-143
gabserverip	4-144
gaddrbook	4-145
gatekeeperip	4-155
gatewayareacode	4-156
gatewaycountrycode	4-157
gatewayext	4-158
gatewaynumber	4-159
gatewaynumbertype	4-160
gatewayprefix	4-161
gatewaysetup	4-162
gatewaysuffix	4-163
gdsdirectory	4-164
gential	4-165
gentialtonepots (deprecated)	4-166
generatetone	4-167
get screen	4-168
getcallstate	4-169
getconfiguredipaddress	4-170
gmscity	4-171
gmscontactemail	4-172
gmscontactfax	4-173
gmscontactnumber	4-174
gmscontactperson	4-175
gmscountry	4-176
gmsstate	4-177
gmstechsupport	4-178
gmsurl	4-179
h239enable	4-180
h323name	4-181
h331audiomode	4-182
h331dualstream	4-183

h331framerate	4-184
h331videofmat	4-185
h331videoprotocol	4-186
hangup	4-187
history	4-188
homequality	4-189
homemultipoint (deprecated)	4-190
homerecentcalls	4-191
homesystem	4-192
homesystemname	4-193
hostname	4-194
icmpoutpacketrates	4-196
ignoreredirect	4-197
importdirectory	4-198
importprofile	4-201
incompleterevoationcheck	4-203
ipaddress	4-204
ipdialspeed	4-205
ipisdninfo	4-207
ipprecaudio, ipprefec, ipprecvideo	4-208
ipv6addrmode	4-209
ipv6globaladdress	4-210
ipv6defaultgateway	4-211
ipv6linklocal	4-212
ipv6sitelocal	4-213
ipstat	4-214
isdnareacode	4-215
isdncountrycode	4-216
isdndialingprefix	4-217
isdndialspeed	4-218
isdnum	4-220
isdnswhitch	4-221
keypadaudioconf	4-222
language	4-223
lanport	4-224
ldapauthenticationtype	4-225
ldapbasedn	4-226
ldapbinddn	4-227
ldapdirectory	4-228
ldapntlmomain	4-229

ldappassword	4-230
ldapserversaddress	4-231
ldapserversport	4-232
ldapssslenabled	4-233
ldapusername	4-234
linestate	4-235
listen	4-236
localdatetime	4-237
loginwindowduration	4-238
marqueedisplayscreen	4-239
maxgabinternationalcallspeed	4-240
maxgabinternetcallspeed	4-241
maxgabisdncallspeed	4-242
maxtimeincall	4-243
mcupassword	4-244
meetingpassword	4-245
monitor1 (deprecated)	4-246
monitor1screensaveroutput	4-247
monitor2 (deprecated)	4-248
monitor2screensaveroutput	4-249
mpautoanswer	4-250
mpmode	4-251
mtumode	4-253
mtusize	4-254
mute	4-255
muteautoanswer	4-256
natconfig	4-257
nath323compatible	4-258
nearloop	4-259
netstats	4-260
nonotify	4-261
notify	4-263
ntpmode	4-266
ntpsecondaryserver	4-267
ntpserver	4-268
numberofmonitors (deprecated)	4-269
numdigitsdid	4-270
numdigitsext	4-271
ocsdirectory	4-272
oobcomplete	4-274

pause	4-275
peoplevideoadjustment	4-276
phone	4-277
pip	4-278
popupinfo	4-280
preset	4-281
pricallbycall	4-283
prichannel	4-284
pricsu	4-286
pridialchannels	4-287
priintlprefix	4-288
prilinebuildout	4-289
prilinesignal	4-290
prinumberingplan	4-291
prioutsideline	4-292
priswitch	4-293
reboot	4-294
recentcalls	4-295
registerall (deprecated)	4-296
registerthissystem	4-297
remotecontrol	4-298
remotemonenable	4-299
requireacctnumtodial	4-300
resetsystem	4-301
roomphonenumber	4-303
rs232 baud, rs232port1 baud	4-304
rs232 mode, rs232port1 mode	4-305
rs366dialing	4-307
rt	4-308
rts	4-309
screen	4-310
screencontrol	4-311
serialnum	4-312
servervalidatepeercert	4-313
session	4-314
sessionsenabled	4-315
setaccountnumber	4-316
setpassword	4-317
showpopup	4-318
sleep	4-319

sleeptext	4-320
sleeptime	4-321
snmpadmin	4-322
snmpcommunity	4-323
snmpconsoleip	4-324
snmplocation	4-325
snmpsystemdescription	4-326
snmptrapversion	4-327
soundeffectsvolume	4-328
soundeffectsvolume	4-329
speeddial	4-330
st	4-335
sslverificationdepth	4-336
subnetmask	4-337
sysinfo	4-338
systemname	4-339
systemsetting 320gatewayenable	4-340
systemsetting 323gatewayenable	4-341
systemsetting bass	4-342
systemsetting cameraaspectratio	4-343
systemsetting cameraaspectratio1	4-344
systemsetting cameraaspectratio2	4-345
systemsetting cameraaspectratio3	4-346
systemsetting cameraaspectratio4	4-347
systemsetting cameracontent1	4-348
systemsetting cameracontent2	4-349
systemsetting cameracontent3	4-350
systemsetting cameracontent4	4-351
systemsetting cameraname	4-352
systemsetting cameraname1	4-353
systemsetting cameraname2	4-354
systemsetting cameraname3	4-355
systemsetting cameraname4	4-356
systemsetting cameratype	4-357
systemsetting componentresolution	4-358
systemsetting componentresolution1	4-359
systemsetting connectionpreference	4-360
systemsetting country	4-361
systemsetting dialingmethod	4-370
systemsetting displayiconincall	4-371

systemsetting displaylastnumberdiald	4-372
systemsetting domainname	4-373
systemsetting dviresolution	4-374
systemsetting dviresolution1	4-376
systemsetting dviresolution3	4-378
systemsetting enablegdsdirectory	4-379
systemsetting enablepolycomms	4-380
systemsetting farnamedisplaytime	4-381
systemsetting iph323enable	4-382
systemsetting ipmaxincoming	4-383
systemsetting isdnh320enable	4-384
systemsetting isdnmaxincoming	4-385
systemsetting ldapuserid	4-386
systemsetting lineinlevel	4-387
systemsetting lineintype	4-388
systemsetting lineoutmode	4-389
systemsetting maxrxbandwidth	4-390
systemsetting maxtxbandwidth	4-391
systemsetting mediainlevel	4-392
systemsetting model	4-393
systemsetting modelcamer anum1	4-394
systemsetting modelcamer anum2	4-395
systemsetting modelcamer anum3	4-396
systemsetting modelcamer anum4	4-397
systemsetting modelcamer anum5	4-398
systemsetting monitor3display	4-399
systemsetting monitor4display	4-400
systemsetting monitor3saveroutput	4-401
systemsetting monitor4saveroutput	4-402
systemsetting monitoroutputsignal	4-403
systemsetting monitoroutputsignal1	4-404
systemsetting monitoroutputsignal2	4-405
systemsetting monitoroutputsignal3	4-406
systemsetting overscanenabled1	4-407
systemsetting overscanenabled2	4-408
systemsetting overscanenabled3	4-409
systemsetting overscanenabled4	4-410
systemsetting potsenable	4-411
systemsetting primarycamera	4-412
systemsetting remotechannelid	4-413

systemsetting securemode	4-414
systemsetting sipaccountname	4-415
systemsetting sipdebug	4-416
systemsetting sipenable	4-417
systemsetting sippassword	4-418
systemsetting sipproxyserver	4-419
systemsetting sipregistrarserver	4-420
systemsetting siptransportprotocol	4-421
systemsetting sipusername	4-422
systemsetting stereoenable	4-423
systemsetting telnetenabled	4-424
systemsetting timeelapsed	4-425
systemsetting transcodingenabled	4-426
systemsetting treble	4-427
systemsetting userdomain	4-428
systemsetting vcrdvdinlevel	4-429
systemsetting vcrdvdoutlevel	4-430
systemsetting vgaresolution	4-431
systemsetting vgaresolution1	4-432
systemsetting vgaresolution3	4-434
systemsetting webenabled	4-435
systemsetting whitebalancemode	4-436
systemsetting whitebalancemode1	4-437
tcpports	4-438
techsupport	4-439
teleareacode	4-440
telenumber	4-441
telnetechoeol	4-442
timediffgmt	4-443
typeofservice	4-444
udpports	4-445
unregisterall (deprecated)	4-446
usefixedports	4-447
usegatekeeper	4-448
usepathnavigator	4-449
useroompassword	4-451
v35broadcastmode	4-452
v35dialingprotocol	4-453
v35num	4-454
v35portsused	4-456

v35prefix	4-457
v35profile	4-458
v35suffix	4-459
validateacctnum	4-460
vcbutton	4-461
vcraudioout	4-464
vcrecordsource	4-465
version	4-466
vgaqualitypreference	4-467
videocallorder	4-468
voicecallorder	4-469
volume	4-470
vortex	4-472
waitfor	4-474
wake	4-475
wanipaddress	4-476
webmonitoring	4-477
webport	4-478
whitelistenabled	4-479
whoami	4-480

A Room Design and Layout

Room Requirements	A-1
Walls	A-3
Windows	A-3
Ceiling Tiles	A-4
Air Conditioning	A-4
Interior Design and Finishes	A-5
Furniture	A-5
Acoustics	A-5
Room Lighting	A-6
Light Fixtures	A-7
Room Preparation Conclusion	A-8
Audio Elements	A-8
Audio Input	A-8
Audio Output	A-10
Direction	A-10
Power	A-10
Range/Frequency Response	A-11
Video Elements	A-11

Video Projection for Use in Videoconference	A-12
Cameras	A-12
Room Control Elements	A-13

B Status Messages

Status Display	B-1
B Channel Status Message Example	B-1

C Polycom HDX 9000 Series Specifications

Back Panel Information	C-1
Inputs/Outputs	C-1
Audio Specifications	C-1
DTMF Dialing	C-2
Remote Control	C-3
RS-232 Serial Interface	C-6

D Secure RS-232 Interface API Permissions

API Permissions Table	D-1
-----------------------------	-----

E Categorical List of API Commands

Local Directory Commands	E-2
Call Function Commands	E-2
Calling Commands	E-2
Call Status Request	E-2
Call Logging Data	E-2
Call Registrations	E-2
Call Account Settings	E-3
Call Preference Settings	E-3
Conference Setting Commands	E-3
Conference Settings	E-3
Conference Password Settings	E-3
Chair Control Commands	E-4
Global Services Commands	E-4
Calendar Commands	E-4
GAB and GDS Commands	E-4
GMS Commands	E-4
LDAP Commands	E-5
SNMP Commands	E-5
OCS Commands	E-5

LAN, WAN, and IP Commands E-5

 H323 Commands E-5

 Gatekeeper Commands E-6

 Gateway Commands E-6

 LAN and WAN Commands E-6

 Network and QoS Commands E-7

 Network Security Commands E-7

H320, POTS and Miscellaneous Network Commands E-7

 ISDN - Global Commands E-7

 ISDN - BRI Commands E-8

 ISDN - PRI Commands E-8

 V35 Commands E-8

 POTS Commands E-9

 Miscellaneous Network Commands E-9

Video and Audio Commands E-9

 Audio Commands E-9

 Content Commands E-10

 Camera Control/Input Select Commands E-10

 Camera Input Setting Commands E-10

 Monitor Video Output Setting Commands E-10

Registration Commands E-11

System Commands E-11

 System Setting Commands E-11

 Query Commands for System Information E-14

 Diagnostic Commands E-14

User Interface and System Display/Sound Commands E-14

 Sound Setting Commands E-14

 Display Setting Commands E-15

 IR Emulation Commands and Control E-15

Miscellaneous Commands E-15

Index Index-1

Room Integration

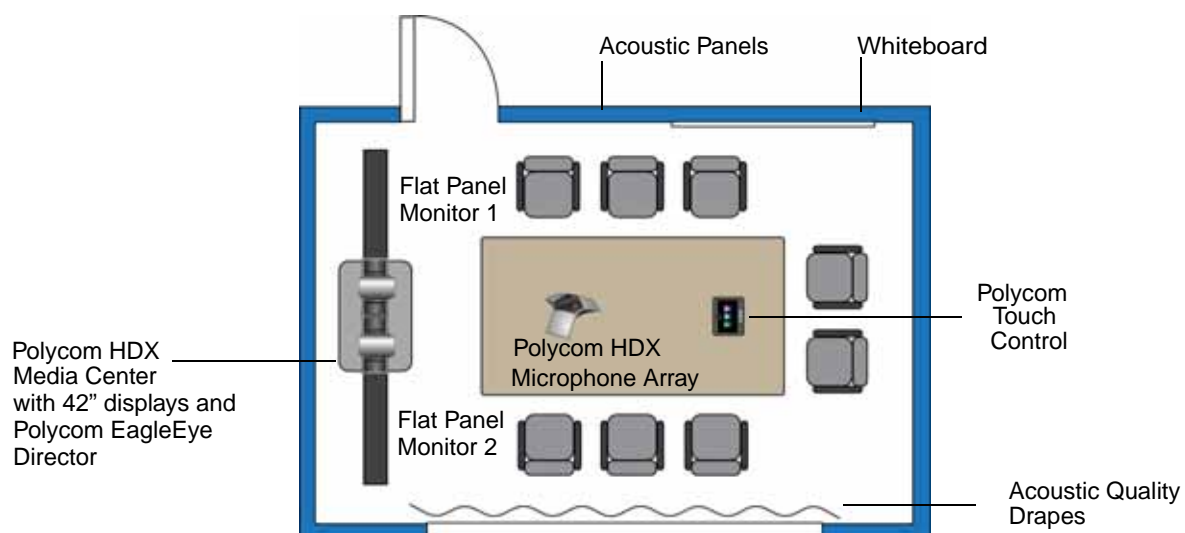
Setting Up a Room for Video Conferencing

For detailed information about setting up a room for video conferencing, refer to [Room Design and Layout](#) on page A-1.

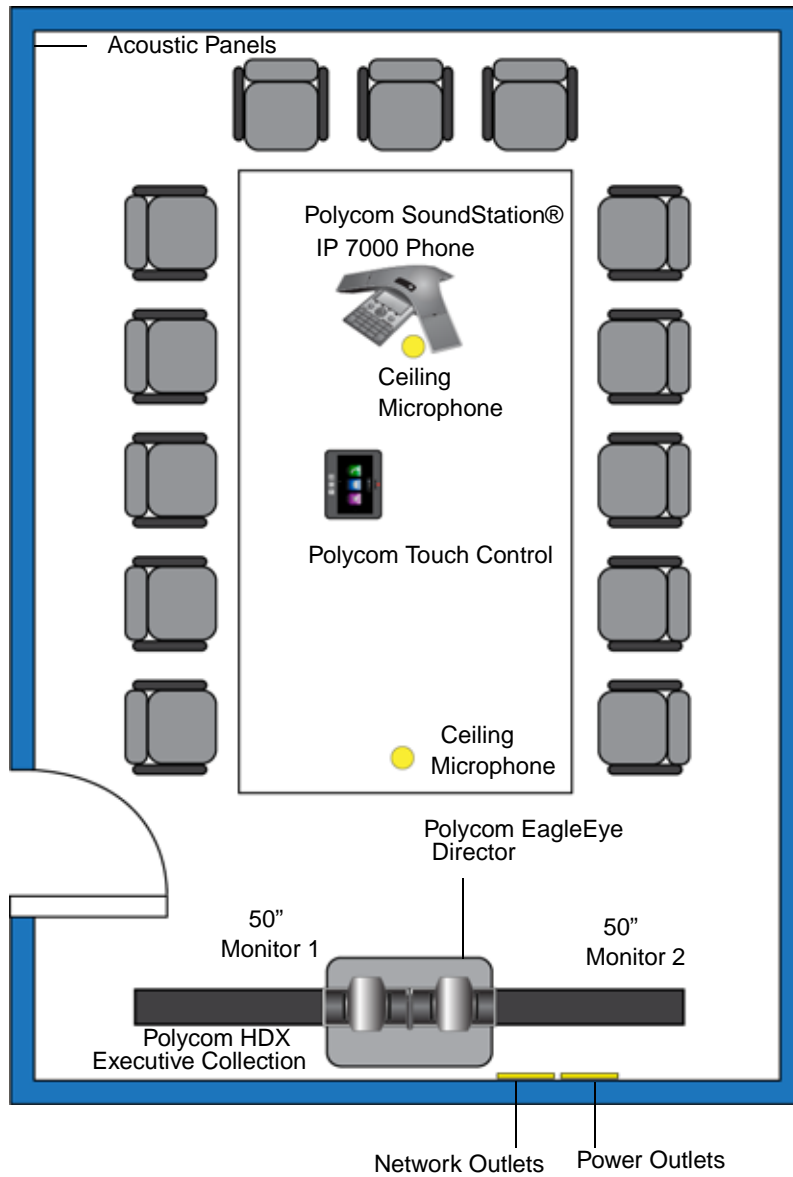
Room Layout Examples

Use the following diagrams as examples for setting up a conference room with Polycom HDX systems. Polycom recommends that you contract an experienced contractor to ensure all the components operate as a single cohesive system.

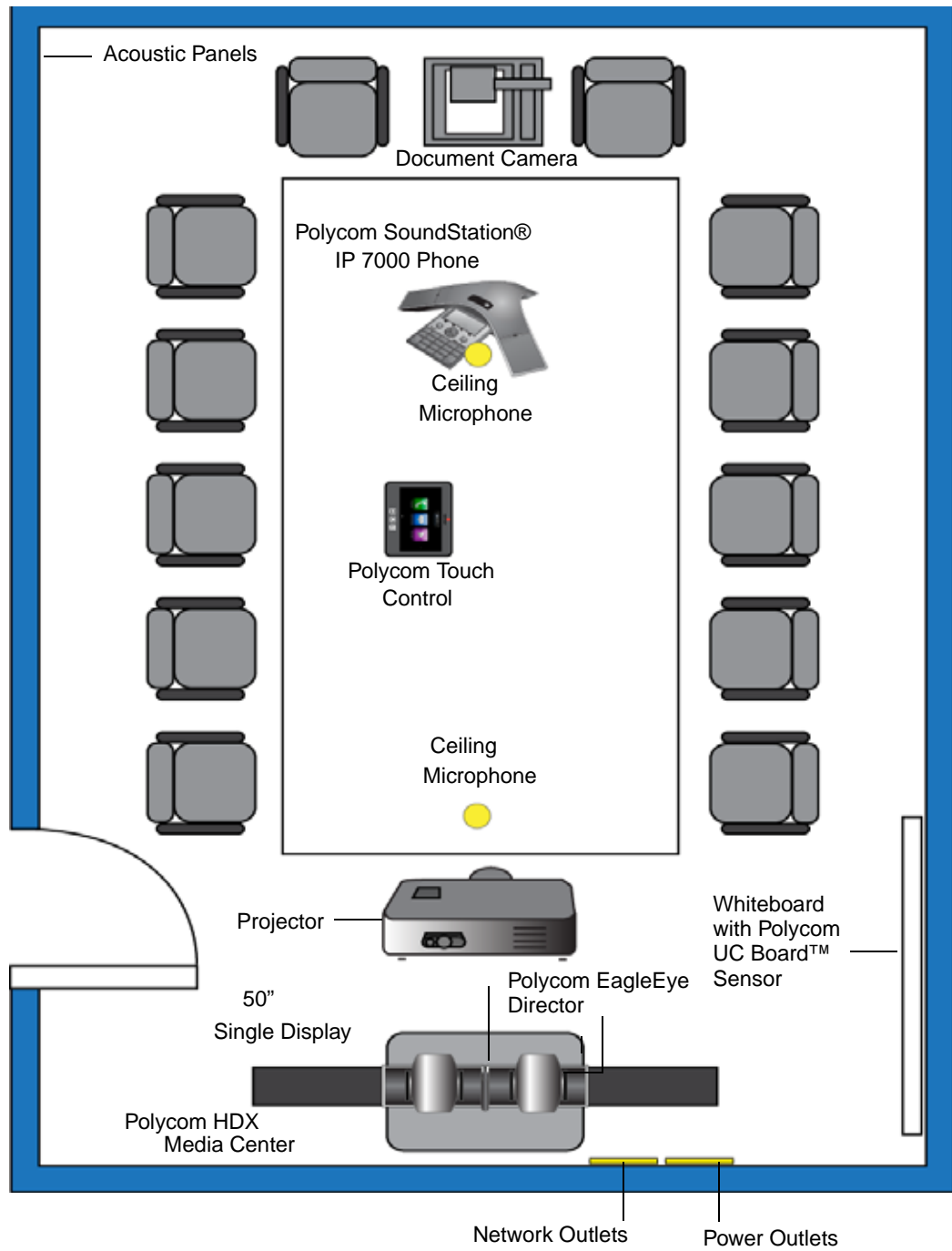
Small Conference Room



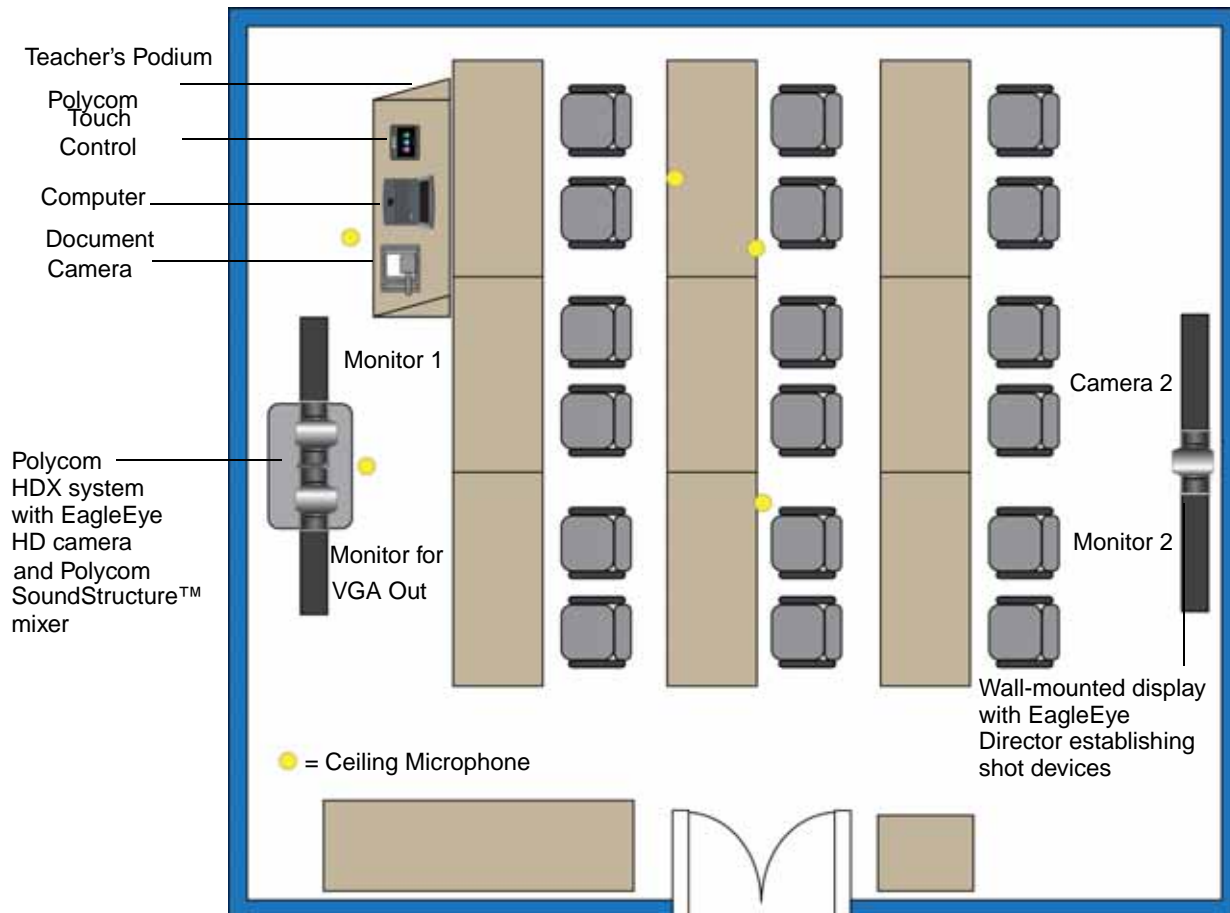
Large Conference Room: Option 1



Large Conference Room: Option 2



Classroom

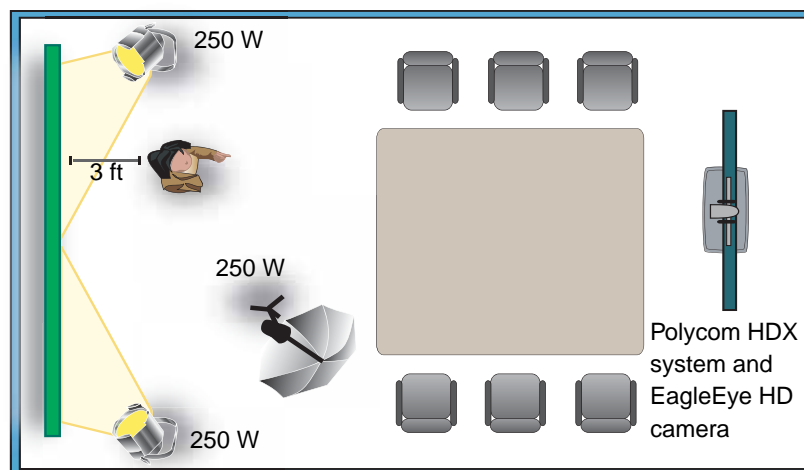


Setting Up the Room for Polycom People On Content™

For the best results, follow these guidelines for setting up Polycom People On Content™:

- Use the Polycom EagleEye HD camera with Polycom HDX 9000 series and Polycom HDX 8000 series systems. Polycom recommends using a Polycom EagleEye II, Polycom EagleEye III, Polycom EagleEye HD or Polycom EagleEye HD 1080 camera with People on Content. If you are using a Polycom EagleEye 1080 or Polycom EagleEye View camera, activating People on Content automatically reduces the resolution to 720p.
- Create a flat, consistent background color using a screen or matte-finish paint in green or blue. Make sure the background has no shadows or glare.

- Make sure that the background and the presenter are well lit. For example, use a minimum of two 250 W halogen lights on the background and one on the presenter.
- Experiment with different room and lighting arrangements until the best results are achieved.



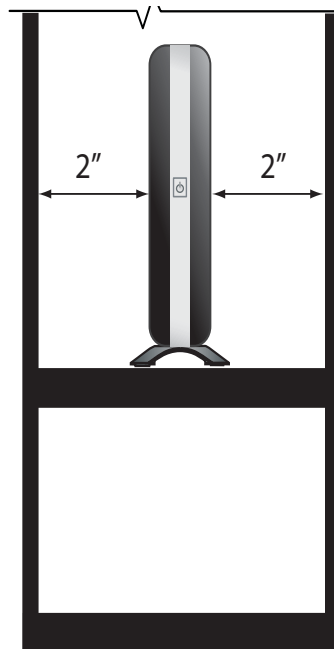
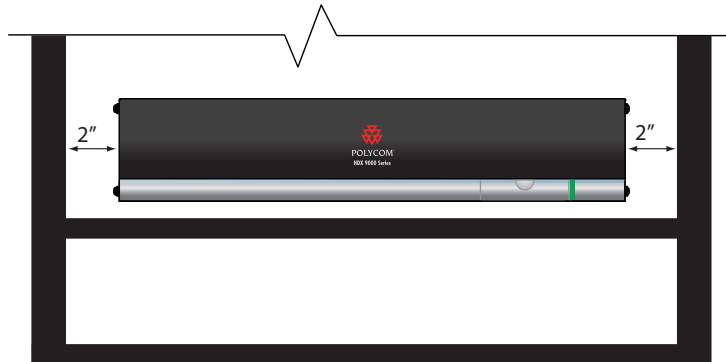
You can find more information about configuring and using People On Content in the *User's Guide for Polycom HDX Systems* and in the Knowledge Base on the Polycom web site.

Polycom HDX Installation Precautions

If you place the Polycom HDX series system in a cart or credenza, ensure that there is proper ventilation for maintaining an ambient temperature of 40°C or lower.

Polycom HDX 6000, 7000, and 8000 series systems can be rack mounted on a Polycom shelf. Please refer to the Polycom price book and part number 2215-28283-001.

Polycom recommends ventilation gaps of at least 2 inches (50.80 mm) on the left and right of the system with appropriate access to fresh air.



Integrating Video

The following sections describe how to connect cameras to Polycom HDX systems. After you connect a camera to a Polycom HDX system, refer to the Administrator's Guide for Polycom HDX Systems for information about configuring the camera options in the user interface.

Connecting Polycom Cameras

You can connect Polycom HDX systems to a Polycom EagleEye 1080, Polycom EagleEye HD, Polycom EagleEye View, Polycom EagleEye II, Polycom EagleEye III, Polycom EagleEye Director, Polycom PowerCam™, or PowerCam Plus camera from Polycom, or to other supported cameras. Refer to the release notes for the software release installed on the Polycom HDX system for a list of supported PTZ cameras.



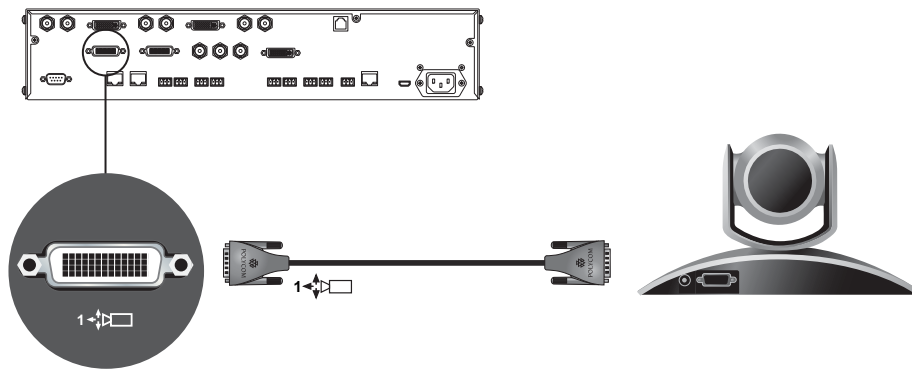
Points to Note about Polycom Cameras:

- The Polycom EagleEye HD connection diagrams can be applied to Polycom EagleEye II cameras on Polycom HDX 9006 systems only. The diagrams can also be applied to EagleEye III cameras on all Polycom HDX 9000 series systems.
- Polycom HDX 6000 series, Polycom HDX 7000 series, and Polycom HDX 8000 series systems *must* be connected to one of the Polycom EagleEye cameras to receive signals from the remote control. Point the remote control at the camera to control those Polycom HDX systems.

Polycom EagleEye HD Camera as the Main Camera up to 30 ft Away

You can connect a Polycom EagleEye HD camera (part number 8200-23600-001, 8200-23610-001, 8200-08270-xxx, or 8200-08260-xxx) to a Polycom HDX 9000 Series system as the main camera using:

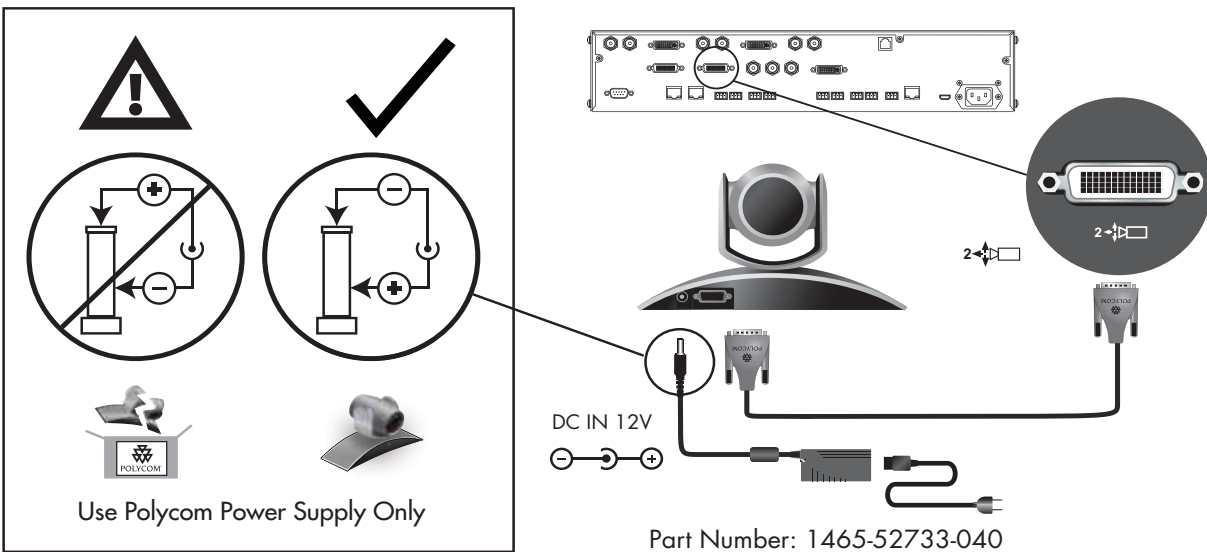
- [HDCI Analog Camera Cable](#) on page 2-26.



Polycom EagleEye HD Camera as the Second Camera up to 30 ft Away

You can connect a Polycom EagleEye HD camera (part number 8200-23600-001, 8200-23610-001, 8200-08270-xxx, or 8200-08260-xxx) to a Polycom HDX 9000 Series system as the second camera using:

- [HDCI Analog Camera Cable](#) on page 2-26.
- Power supply. Use only the approved power supply from Polycom (part number 1465-52748-040). Do not exceed 12 Volts at 3 Amps. Verify the polarity of the power supply as shown on the Polycom camera next to the power supply input.



Polycom EagleEye HD Camera as the Main or Second Camera up to 100 ft Away

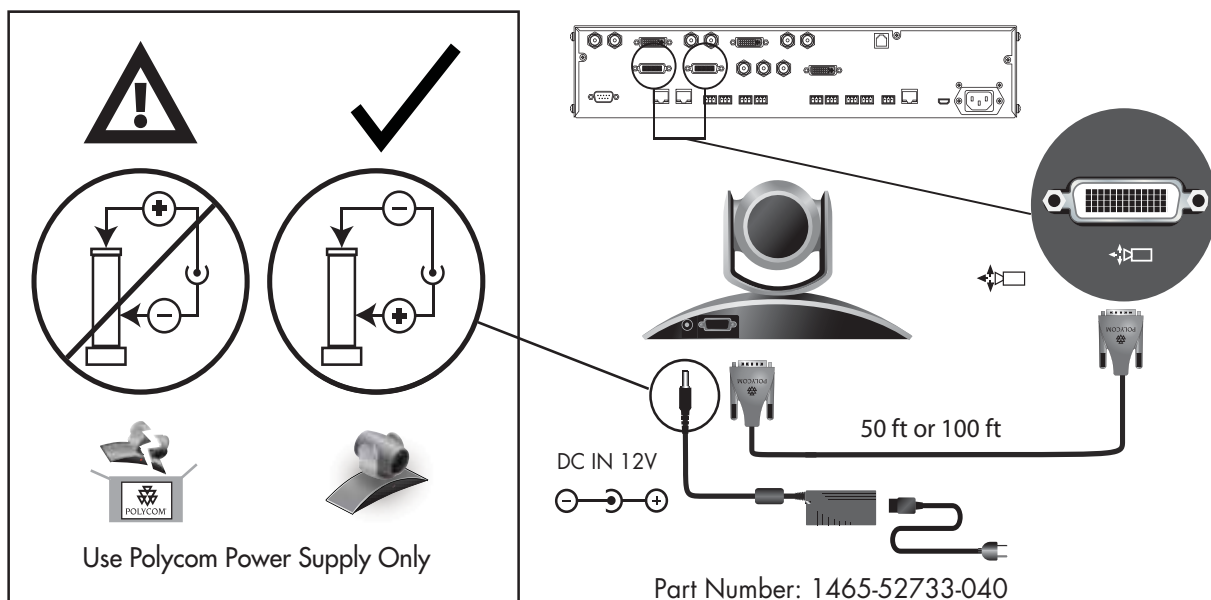
To connect a Polycom EagleEye HD camera (part number 8200-23600-001, 8200-23610-001, 8200-08270-xxx, 8200-08260-xxx, or 7200-25689-xxx) to a Polycom HDX 9000 Series system more than 30 ft away:

Option 1

- [HDCI Analog Camera Cable](#) on page 2-26.
- Power supply. Use only the approved power supply from Polycom (part number 1465-52748-040). Do not exceed 12 Volts at 3 Amps. Verify the polarity of the power supply as shown on the Polycom camera next to the power supply input.



Polycom recommends this configuration when a custom cable length is not required.

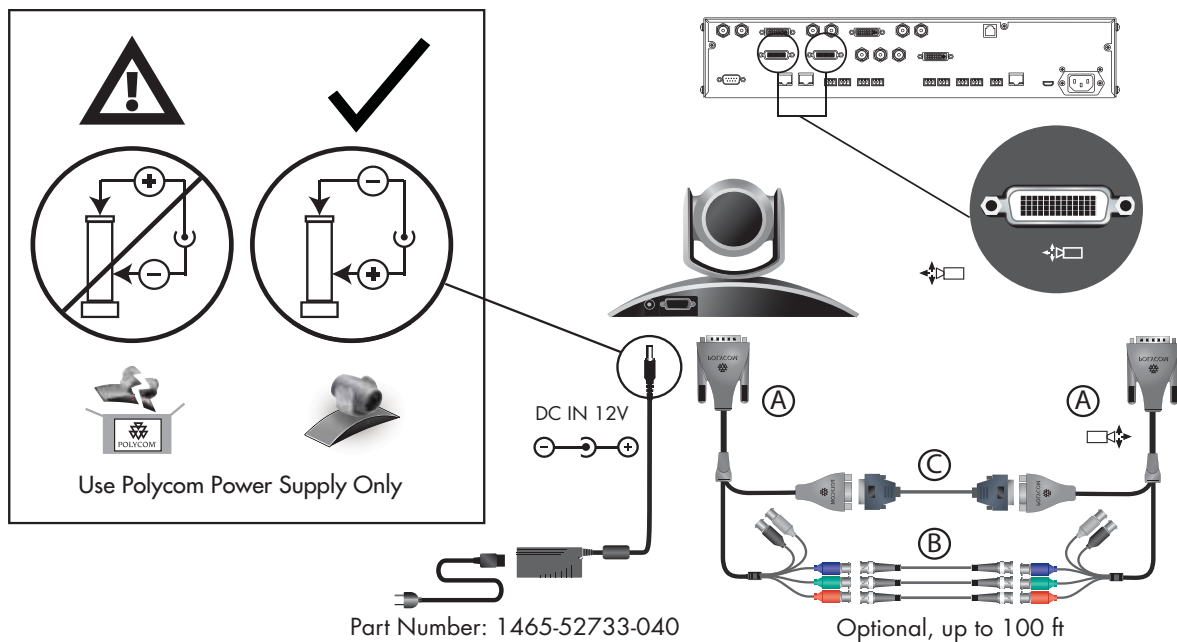


Option 2

- A—Two [HDCI Camera Break-Out Cable](#) on page 2-30.
- B—Coaxial analog video cables.
- C—DB-9 serial cable.
- Power supply. Use only the approved power supply from Polycom (part number 1465-52748-040). Do not exceed 12 Volts at 3 Amps. Verify the polarity of the power supply as shown on the Polycom camera next to the power supply input.



Polycom recommends this configuration when a custom cable length is required. The BNC and serial cables can be built to custom lengths.



Polycom EagleEye 1080 or Sony EVI-HD1 PTZ as the Main or Second Camera

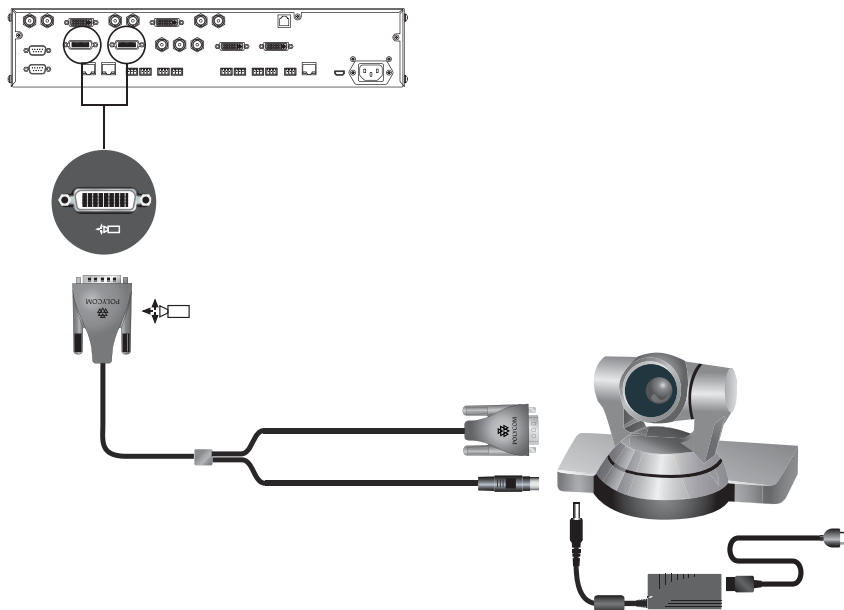
You can connect a Polycom EagleEye 1080 or Sony EVI-HD1 PTZ camera to a Polycom HDX 9000 Series system as the main or second camera using:

Option 1

- [HDCI Polycom EagleEye 1080 Camera Cable](#) on page 2-33 (this cable is compatible with the Sony EVI-HD1 PTZ camera).



Polycom recommends this configuration when a custom cable length is required.

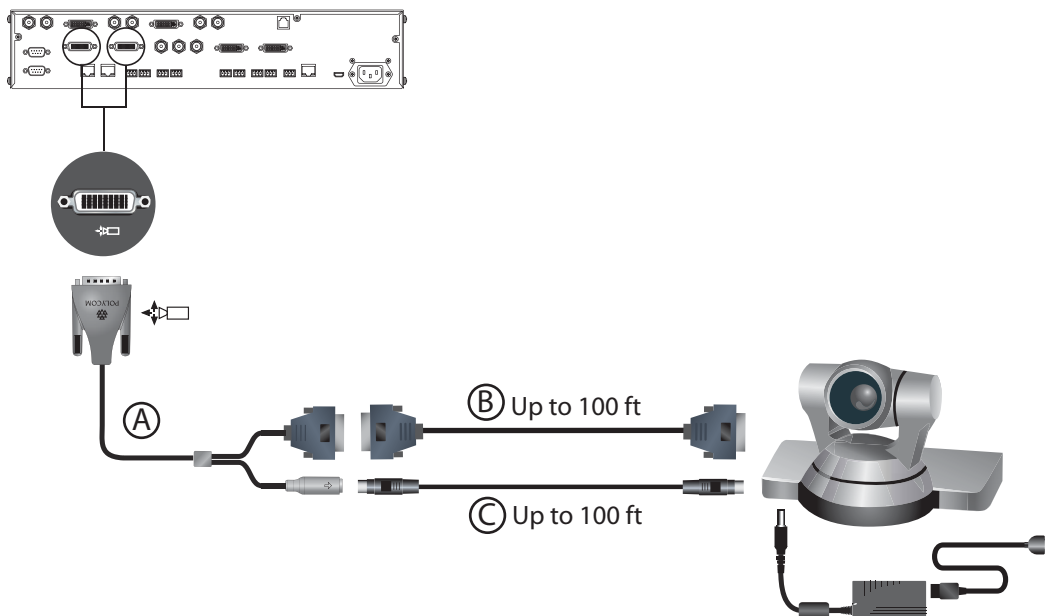


Option 2

- A— [HDCI Sony VISCA Adapter Cable](#) on page 2-36.
- B—VGA cable.
- C—VISCA cable.



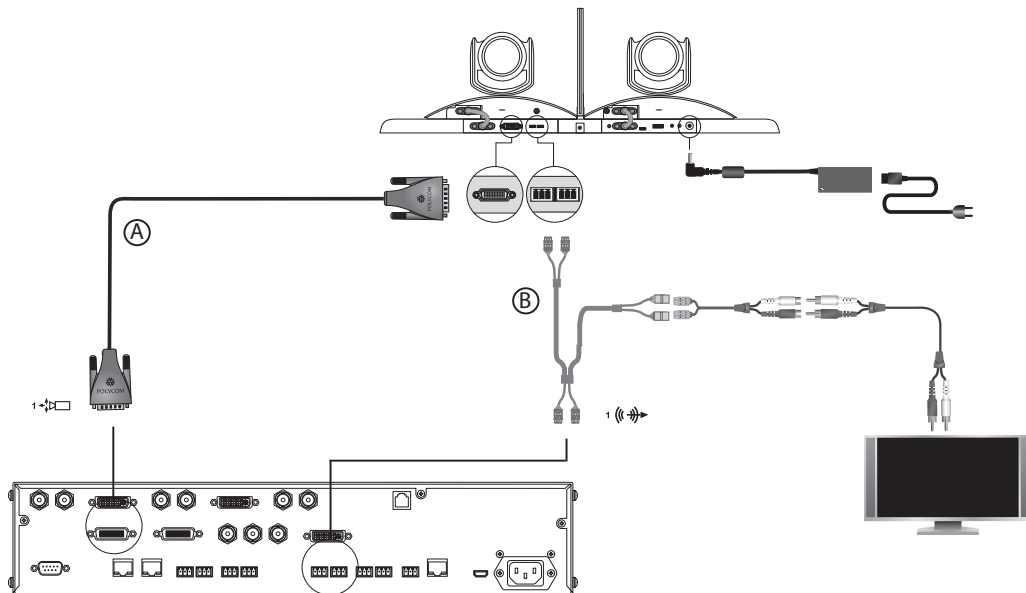
Polycom recommends this configuration when a custom cable length is required.



Polycom EagleEye Director as the Main Camera or Second Camera

You can connect a Polycom EagleEye Director (part number 7200-82632-xxx, 7200-82631-xxx, or 2200-82559-xxx) to a Polycom HDX 9001, Polycom HDX 9002, or Polycom HDX 9004 system as the main camera using:

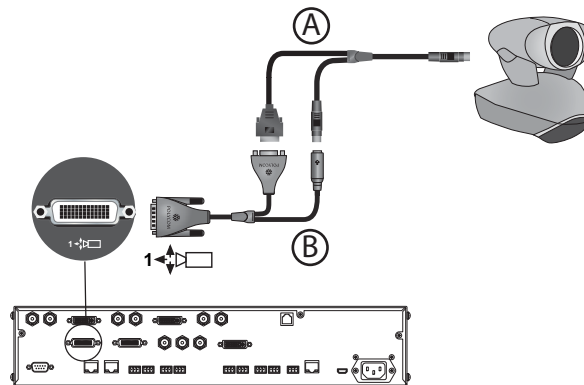
- A—HDCI Analog Camera Cable on page 2-26.
- B—Polycom EagleEye Director Audio Feedback Phoenix to Phoenix Cable on page 2-58.



PowerCam as the Main Camera up to 10 ft Away

You can connect a PowerCam (part number 2215-50370-001) to a Polycom HDX 9001, Polycom HDX 9002, or Polycom HDX 9004 system as the main camera up to 10 ft away using:

- A—[PowerCam Primary Camera Cable](#) on page 2-40.
- B—[HDCI PowerCam Plus Adapter Cable](#) on page 2-31.



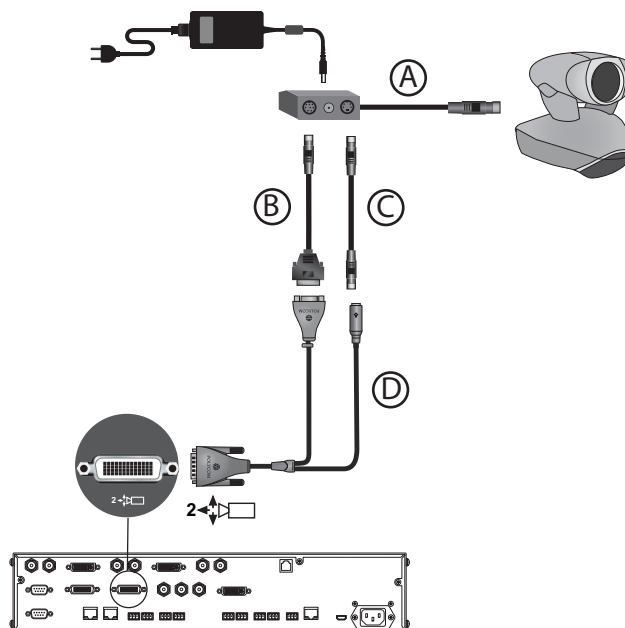
PowerCam as the Second Camera

The following kits are available, which include the power supply, PowerCam Break-Out cable, 8-pin mini-DIN to DB-9 cable, and S-Video cable:

- 7230-22231-001 (50 ft)
- 7230-22232-001 (100 ft)

You can connect a PowerCam (part number 2215-50370-001) to a Polycom HDX 9001, Polycom HDX 9002, or Polycom HDX 9004 system as the second camera using:

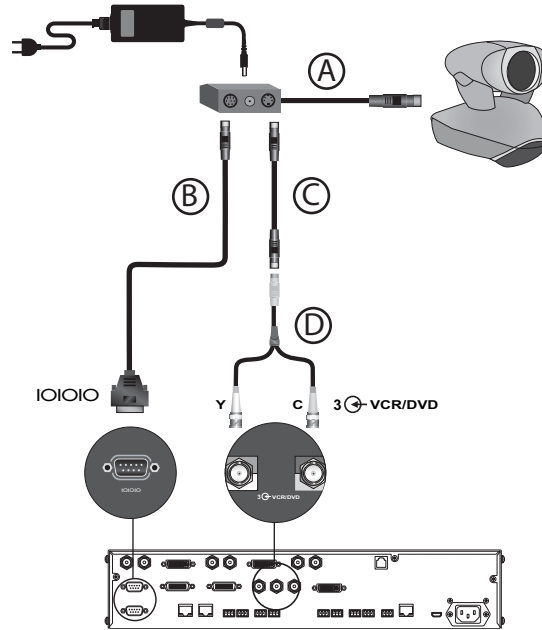
- A— [PowerCam Break-Out Cable](#) on page 2-41.
- B— [8-pin mini-DIN to DB-9](#) on page 2-44.
- C— [S-Video Cable](#) on page 2-15.
- D— [HDCI PowerCam Plus Adapter Cable](#) on page 2-31.
- Power Supply (part number 1465-52748-040).



You can connect a PowerCam (part number 2215-50370-001) to a Polycom HDX 9001, Polycom HDX 9002, or Polycom HDX 9004 system as the third camera using:

- A— [PowerCam Break-Out Cable](#) on page 2-41.
- B— [8-pin mini-DIN to DB-9](#) on page 2-44.
- C— [S-Video Cable](#) on page 2-15.

- D—[BNC to S-Video Cable](#) on page 2-16.
- Power Supply (part number 1465-52748-040).



If you connect a PTZ camera to a serial port, set **RS-232 Mode** to **Camera PTZ** on the Serial Ports screen.

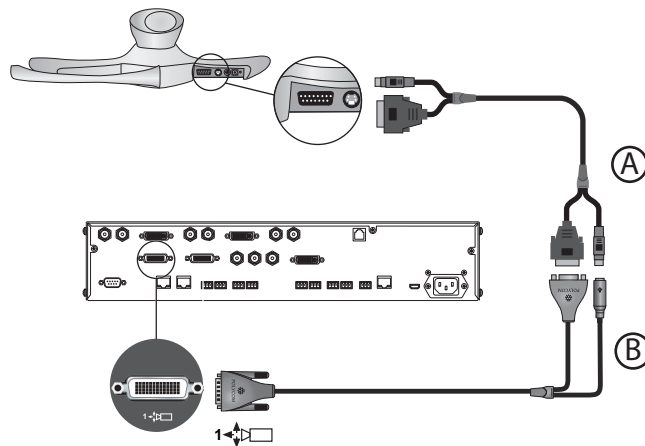
PowerCam Plus as the Main Camera up to 10 ft Away

You can connect a PowerCam Plus (part number 2215-50200-001) to a Polycom HDX 9001, Polycom HDX 9002, or Polycom HDX 9004 system as the main camera up to 10 ft away using:

- A— [HDCI PowerCam Plus Adapter Cable](#) on page 2-31.
- B— [HDCI PowerCam Plus Adapter Cable](#) on page 2-31.



Automatic camera tracking is not available when using the PowerCam Plus camera with a Polycom HDX system.



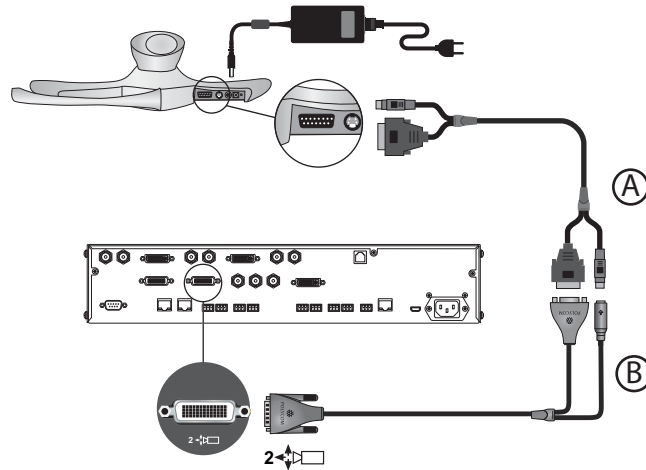
PowerCam Plus as the Second Camera up to 10 ft Away

You can connect a PowerCam Plus (part number 2215-50200-001) to a Polycom HDX 9001, Polycom HDX 9002, or Polycom HDX 9004 system as the second camera up to 10 ft away using:

- A— [HDCI PowerCam Plus Adapter Cable](#) on page 2-31.
- B— [HDCI PowerCam Plus Adapter Cable](#) on page 2-31.
- Power Supply (part number 1465-52748-040).



Automatic camera tracking is not available when using the PowerCam Plus camera with a Polycom HDX system.



Connecting Sony and ELMO Cameras

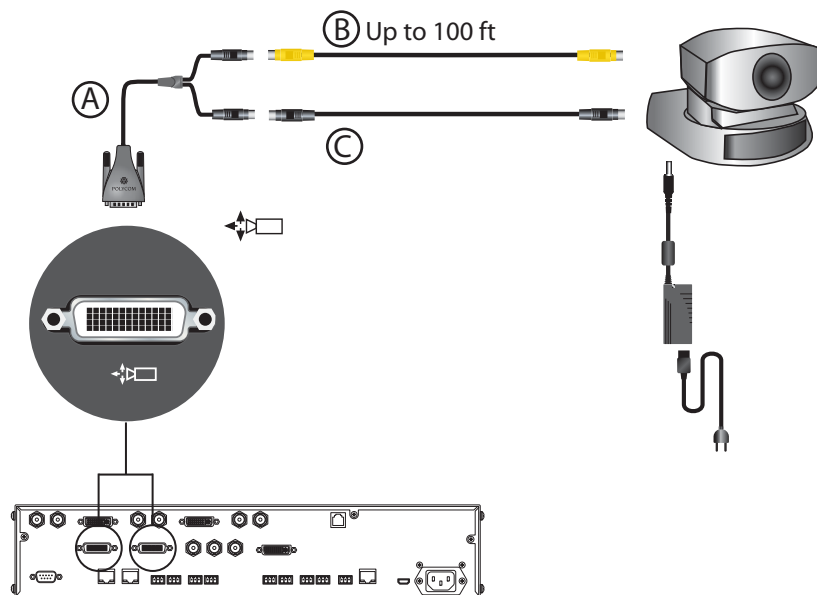
Refer to the release notes for a list of supported Pan/Tilt/Zoom (PTZ) cameras.

Sony or ELMO PTZ as the Main or Second Camera

To connect a Sony or ELMO PTZ camera to a Polycom HDX 9000 Series system as the main or second camera:

You can connect a Sony or ELMO PTZ camera to a Polycom HDX system using:

- A— [HDCI Sony VISCA Adapter Cable](#) on page 2-36.
- B— [S-Video Cable](#) on page 2-15.
- C— Sony VISCA cable.



Sony BRC-H700 PTZ

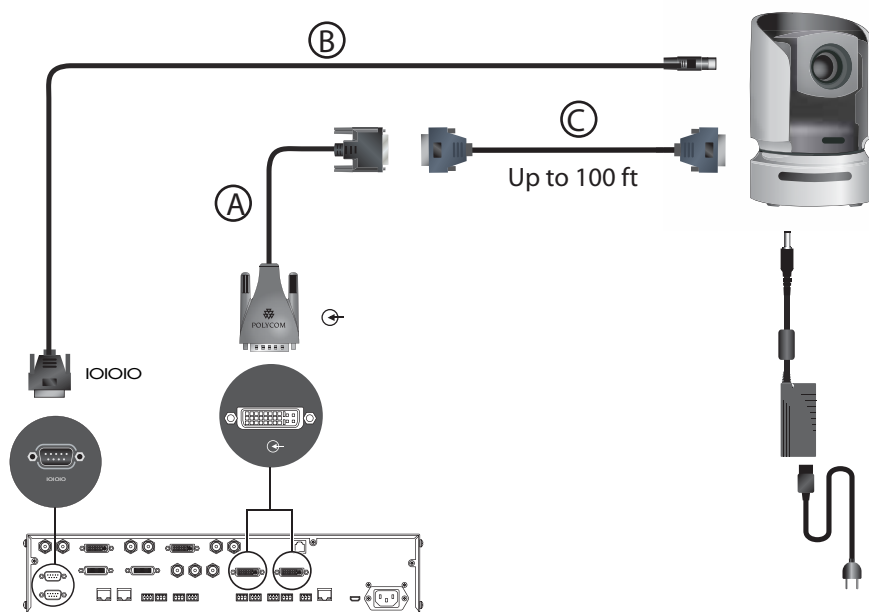
To connect a Sony BRC-H700 PTZ camera to a Polycom HDX 9000 Series system:

You can connect a Sony BRC-H700 PTZ camera to a Polycom HDX system using:

- A— [DVI to VGA Monitor Cable](#) on page 2-19.
- B— [8-pin mini-DIN to DB-9](#) on page 2-44.
- C—VGA extension cable.



To provide XGA output (1024x768), you must install the optional Sony HFBK-XG1 card into the slot on the back of the Sony BRC-H700 PTZ camera.



Another option is to use a VGA cable for cable C and to use a VGA/DVI-A adapter (part number 1517-52689-001) for cable A. The VGA/DVI-A adapter is a solid overmolded adapter that connects to the Polycom HDX 9000 Series system side of cable C and adapts from cable C's VGA connector to a DVI-A connector to plug into the Polycom HDX 9000 Series system.

Connecting Vaddio and Canon Cameras

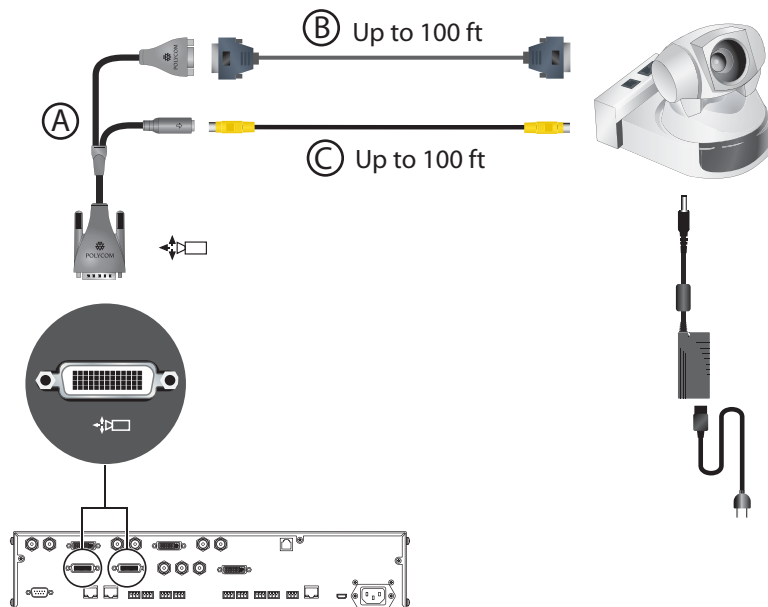
Refer to the release notes for a list of supported Pan/Tilt/Zoom (PTZ) cameras.

Vaddio or Canon PTZ as the Main or Second Camera

To connect a Vaddio or Canon PTZ camera to a Polycom HDX 9000 Series system as the main or second camera:

You can connect a Vaddio 70, Vaddio 100, or Canon (with VISCA cable shoe) PTZ camera to a Polycom HDX system using:

- A— [HDCI VISCA Adapter Cable](#) on page 2-32.
- B—DB-9 serial cable.
- C— [S-Video Cable](#) on page 2-15.



A separate power supply is required regardless of which connector is used on the HDX 9000 Series back panel.

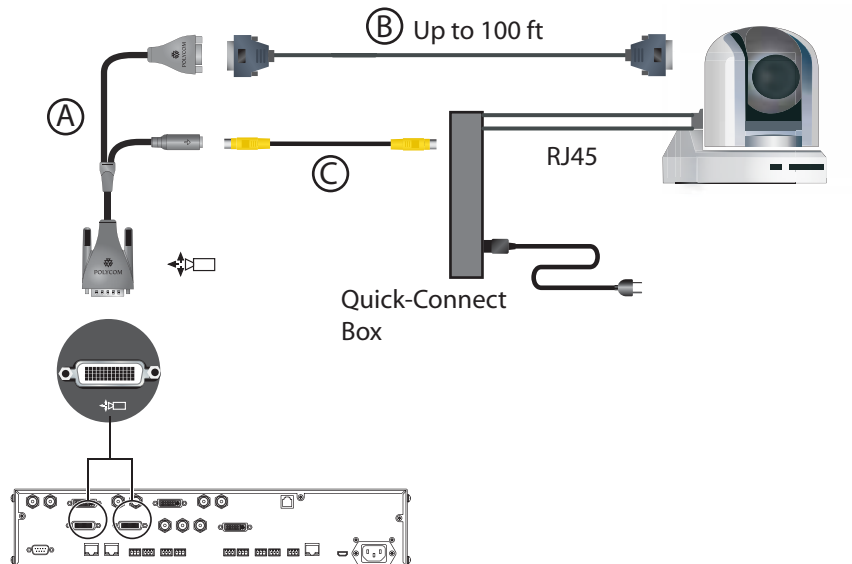
Vaddio 300 PTZ as the Main or Second Camera

To connect a Vaddio 300 PTZ camera to a Polycom HDX 9000 Series system as the main or second camera:

You can connect a Vaddio 300 PTZ camera to a Polycom HDX system using:

- A—[HDCI VISCA Adapter Cable](#) on page 2-32.
- B—DB-9 serial cable.
- C—[S-Video Cable](#) on page 2-15.

Note: For situations that require extraordinary cable lengths, CAT5 extension kits for camera video, power, and control are available from third-party vendors.



Integrating Audio and Content

Connecting a Computer to a Polycom HDX 9000 Series System

You can connect Polycom HDX 9000 series systems to a computer.

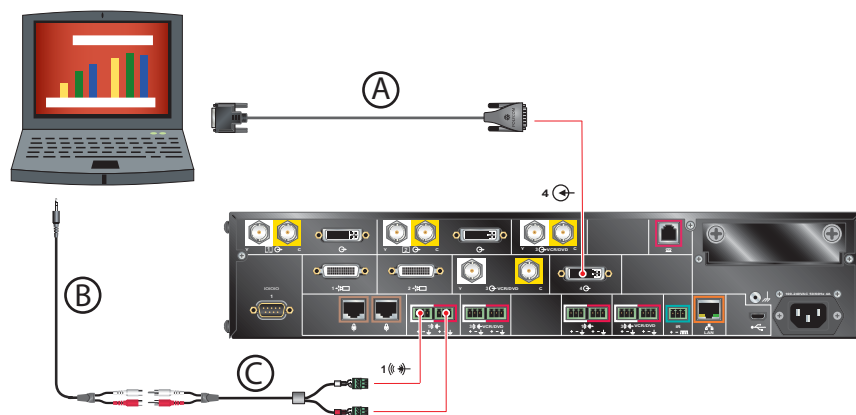
To connect a computer to a Polycom HDX 9001 or Polycom HDX 9002 system:

Option 1

Connect a Polycom HDX 9001 or Polycom HDX 9002 system to a computer using

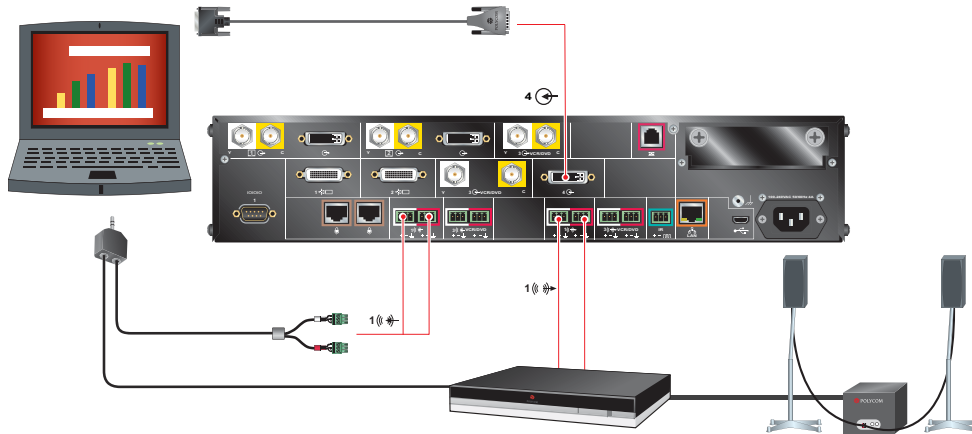
- A—[DVI to VGA Monitor Cable](#) on page 2-19.
- B—3.5 mm stereo to RCA adapter cable.
- C—[Audio Adapter Cable](#) on page 2-56.

When you connect a computer to a Polycom HDX 9001 or Polycom HDX 9002 as follows, audio is only heard at the far site and may be heard even when video input 4 is not selected.



Option 2

To hear audio at both the near site and the far site, use a bypass mixer to connect a computer to the Polycom HDX 9001 or Polycom HDX 9002 system as the following figure shows.

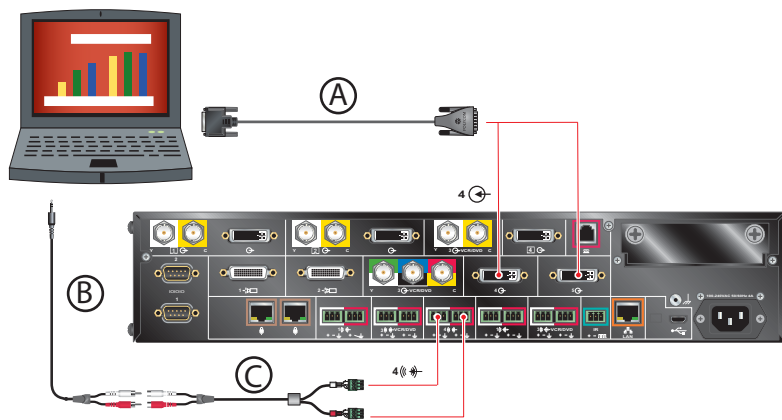


To connect a computer to a Polycom HDX 9004 system:

Connect a Polycom HDX 9004 system to a computer using

- A—[DVI to VGA Monitor Cable](#) on page 2-19.
- B—3.5 mm stereo to RCA adapter cable.
- C—[Audio Adapter Cable](#) on page 2-56 (Polycom HDX 9004, Polycom HDX 9002, and Polycom HDX 9001 systems only).

When you connect a computer to video input 4 and audio input 4 on a Polycom HDX 9004 as follows, audio from input 4 is muted unless video input 4 is selected as a video source.

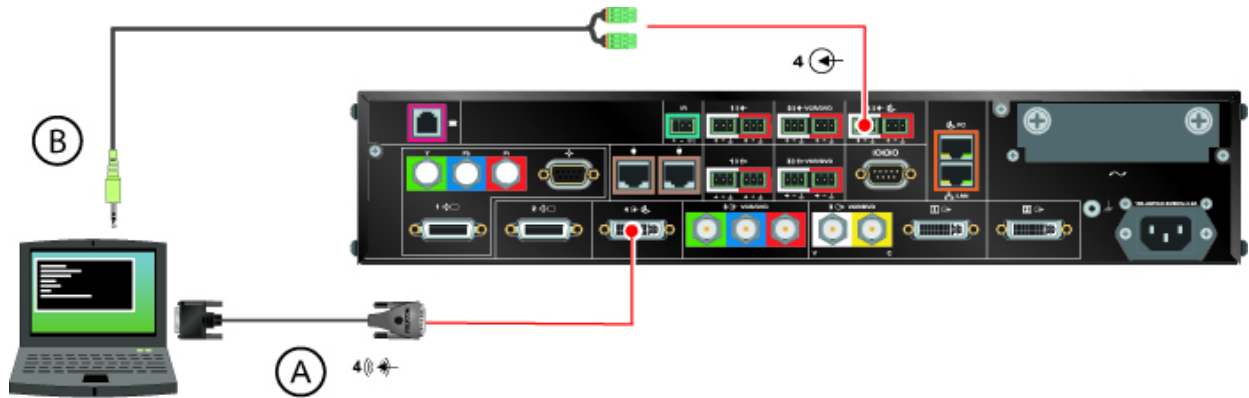


To connect a computer to a Polycom HDX 9006 system:

Connect a Polycom HDX 9006 system to a computer using:

- A—[DVI to VGA Monitor Cable](#) on page 2-19.
- B—[3.5 mm stereo to dual 3-pin Phoenix connectors cable](#).

When you connect a computer to video input 4 and audio input 4 on a Polycom HDX 9006 system as follows, audio from input 4 is muted unless video input 4 is selected as a video source.



Connecting a Vortex® Mixer to a Polycom HDX 9000 Series System

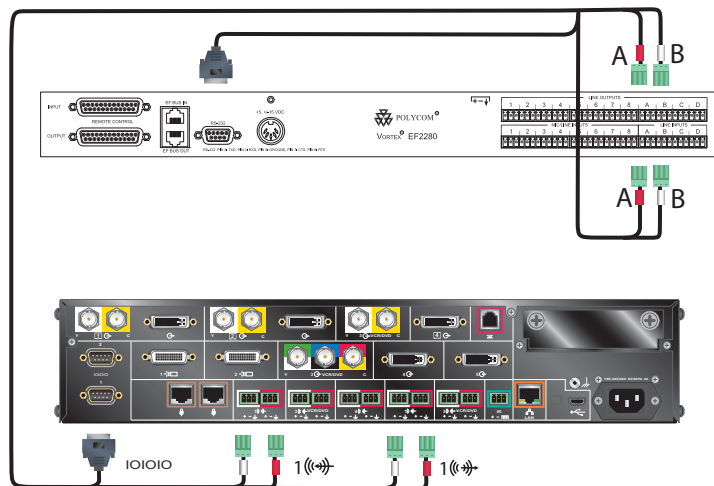


Polycom strongly recommends using Polycom InstantDesigner™ to get started with your Vortex® mixer integration. InstantDesigner resolves many common issues with connections and configuration settings.

To use a Polycom HDX system with audio input from a Vortex mixer, set the Input Type to Line Input and disable Echo Canceller.

Connect a Polycom HDX system to the Vortex mixer using:

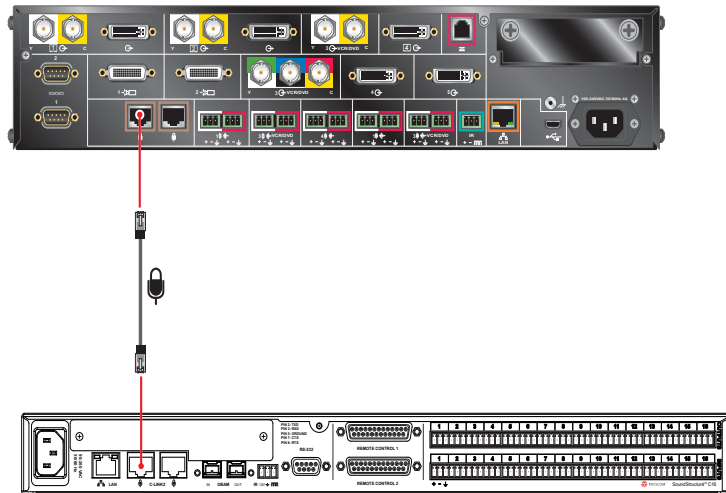
- Vortex cable shown on page [Vortex Cable](#) on page 2-58.



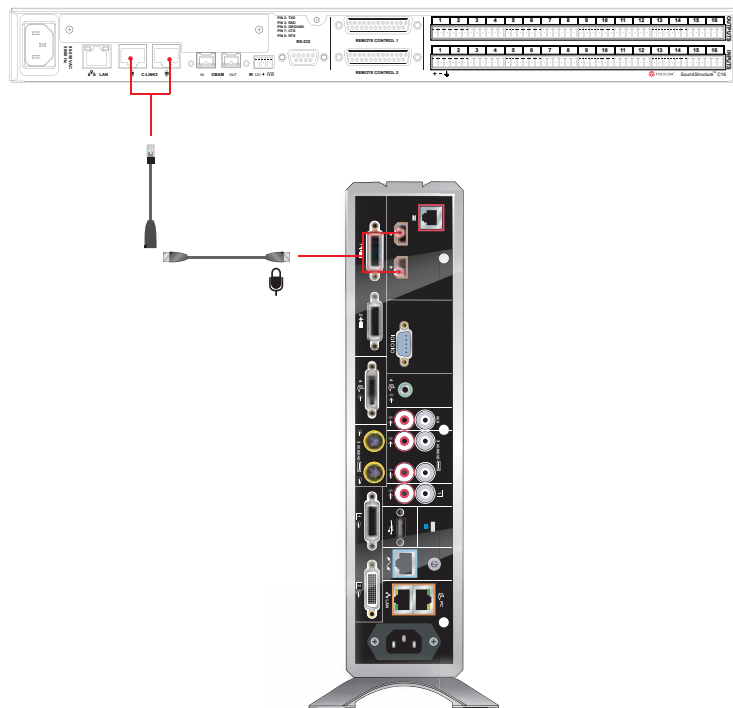
Connecting a Polycom SoundStructure C-Series Mixer to a Polycom HDX System

Connect a Polycom HDX system to the Polycom SoundStructure C-Series mixer using [Polycom HDX Microphone Array Host Cable](#) on page 2-46.

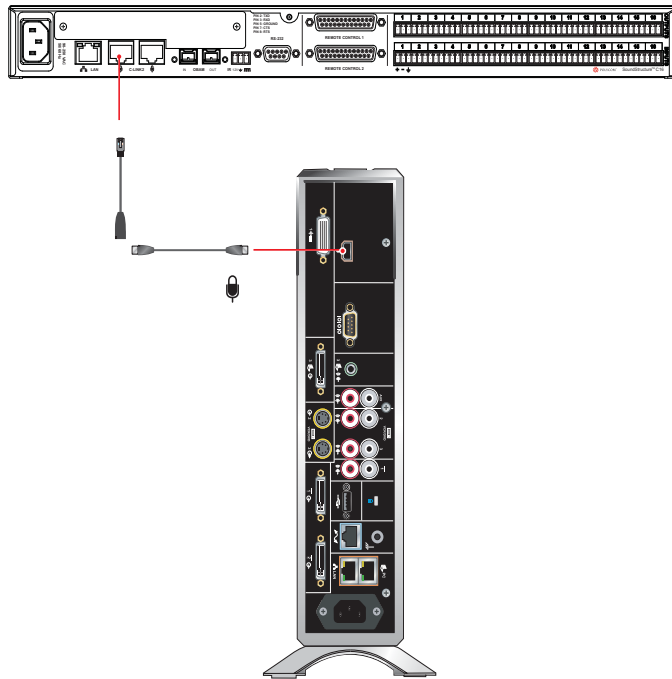
Polycom HDX 9000 system:



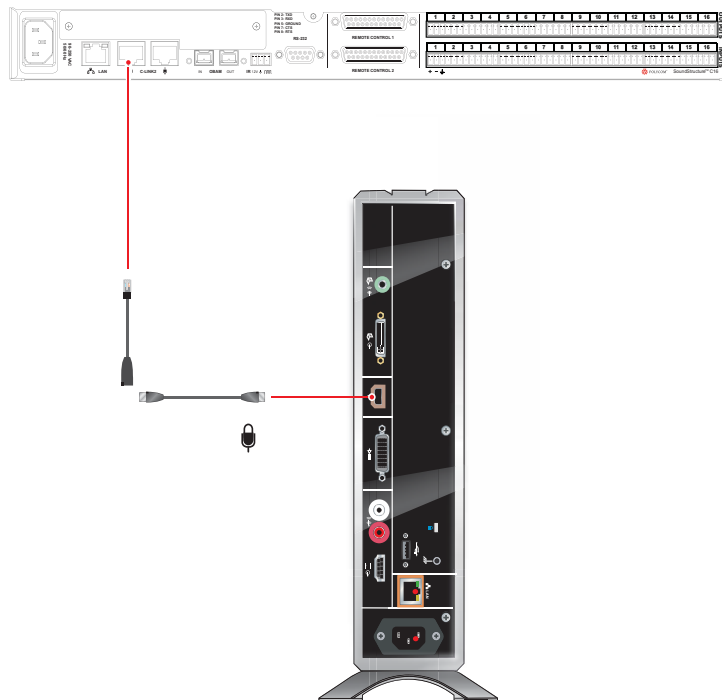
Polycom HDX 8000 system:



Polycom HDX 7000 system:



Polycom HDX 6000 system:





Points to Note:

- The microphone input of the Polycom HDX Series system can support one connection to SoundStructure C-Series mixers. For more information about using the SoundStructure C-Series mixer with a Polycom HDX system, refer to the SoundStructure C-Series documentation on the Polycom web site.

You cannot connect both a SoundStructure C-Series mixer and a SoundStation IP 7000 phone to the Polycom HDX 9000 Series system at the same time.

- If the EagleEye Director device is connected to a Polycom HDX system that is connected to a SoundStructure C-Series mixer (or echo cancellers, sound mixers, or other external devices) and the SoundStructure C-Series mixer is connected to the room audio playback system, the EagleEye Director's audio feedback cable ([Polycom EagleEye Director Audio Feedback Phoenix to Phoenix Cable](#) on page 2-58) must connect to the balanced audio output connector of SoundStructure. The room audio playback system must connect through the EagleEye Director's audio feedback cable to the SoundStructure C-Series mixer.

Cables

This chapter includes information about cables that can be used with a Polycom HDX system. Please note that drawings and part numbers are provided for reference only. Compliance information is provided for the Restriction of certain Hazardous Substances Directive (RoHS).

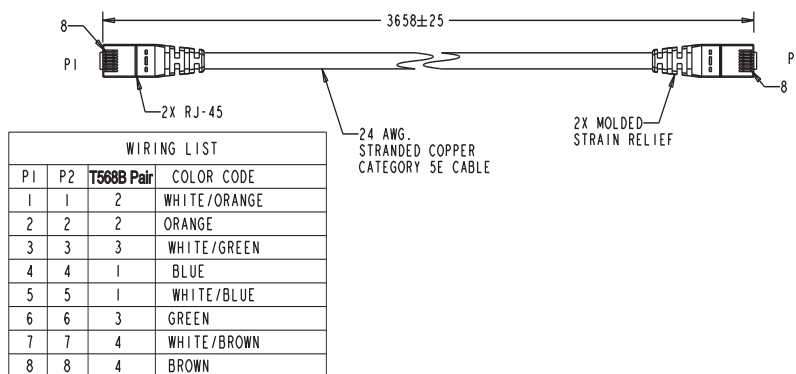
Network Cables

CAT 5e LAN Cable



This cable connects a Polycom HDX system to the LAN. It has orange RJ-45 connectors on both ends. It meets category 5e requirements and is wired according to EIA/TIA-568B. The maximum approved length for this cable is 100 ft (30 m) on an 802 network.

Length	Part Number	RoHS Compliant
12 ft (3.6 m)	2457-23537-001	Yes





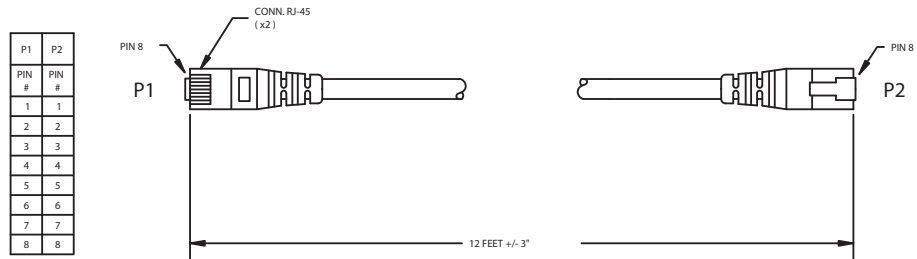
Drawings and part numbers are provided for reference only. Polycom claims no responsibility or liability for the quality, performance, or reliability of cables based on these reference drawings, other than cables provided by Polycom. Contact your Polycom distributor or Polycom Custom/Vertical Products to order cables that meet the appropriate manufacturing tolerances, quality, and performance parameters for your application.

LAN Cable



This cable connects a Polycom HDX system to the LAN. It has orange RJ-45 connectors on both ends and is used with all systems. The maximum approved length for this cable is 100 ft (30 m).

Length	Part Number	RoHS Compliant
12 ft (3.6 m)	2457-08343-001	Yes



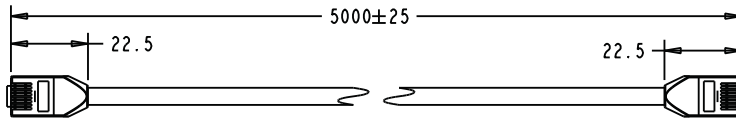
Drawings and part numbers are provided for reference only. Polycom claims no responsibility or liability for the quality, performance, or reliability of cables based on these reference drawings, other than cables provided by Polycom. Contact your Polycom distributor or Polycom Custom/Vertical Products to order cables that meet the appropriate manufacturing tolerances, quality, and performance parameters for your application.

Polycom Touch Control LAN Cable



This cable connects a Polycom Touch Control device to the LAN.

Length	Part Number	RoHS Compliant
25 ft (7.62 m)	2457-26994-001	Yes



WIRING LIST		
P1	P2	COLOR CODE
1	1	WHITE/ORANGE
2	2	ORANGE/WHITE
3	3	WHITE/GREEN
4	4	BLUE/WHITE
5	5	WHITE/BLUE
6	6	GREEN/WHITE
7	7	WHITE/BROWN
8	8	BROWN/WHITE



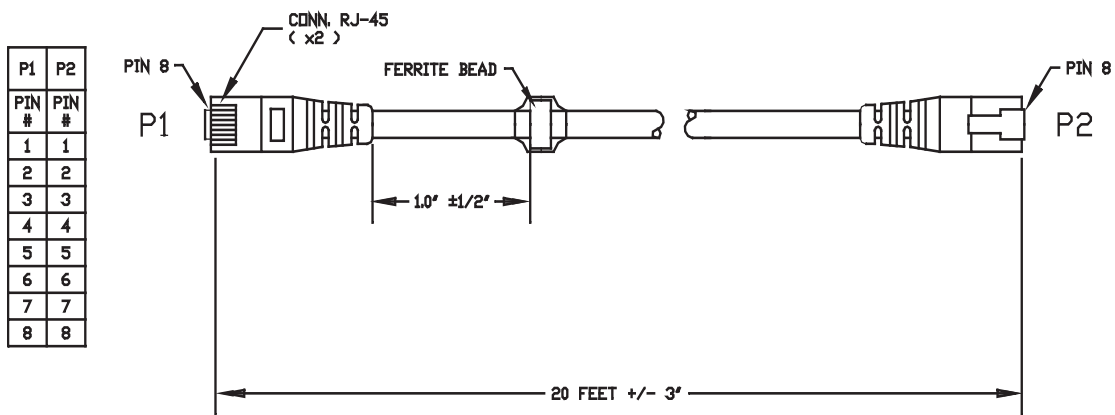
Drawings and part numbers are provided for reference only. Polycom claims no responsibility or liability for the quality, performance, or reliability of cables based on these reference drawings, other than cables provided by Polycom. Contact your Polycom distributor or Polycom Custom/Vertical Products to order cables that meet the appropriate manufacturing tolerances, quality, and performance parameters for your application.

ISDN Cable



This cable connects a Polycom HDX system to a BRI or PRI line. It has clear RJ-45 connectors on both ends and is used with all Polycom HDX systems that have ISDN capability. The maximum approved length for this cable is 50 ft (15 m).

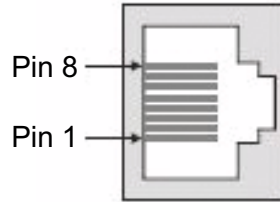
Length	Part Number	RoHS Compliant
20 ft (6.6 m)	2457-08548-001	Yes



Drawings and part numbers are provided for reference only. Polycom claims no responsibility or liability for the quality, performance, or reliability of cables based on these reference drawings, other than cables provided by Polycom. Contact your Polycom distributor or Polycom Custom/Vertical Products to order cables that meet the appropriate manufacturing tolerances, quality, and performance parameters for your application.

PRI Pin Assignments

The following illustration and table show the pin assignments for the PRI port on the Polycom HDX system.



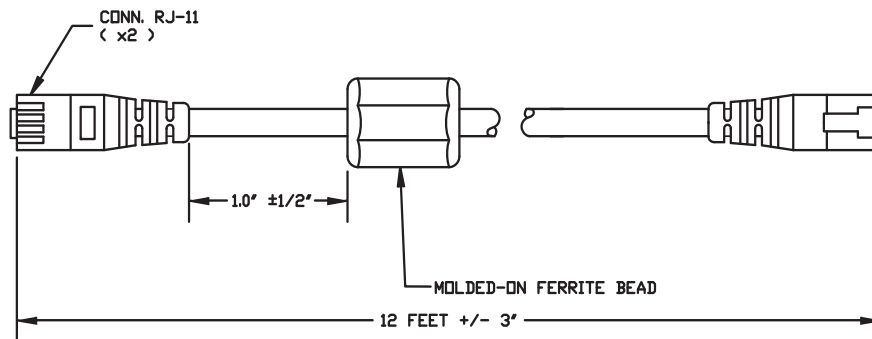
Pin	Signal Name
1	Receive Ring
2	Receive Tip
3	No Connection
4	Transmit Ring
5	Transmit Tip
6	No Connection
7	No Connection
8	No Connection

Analog Telephone (POTS) Cable



This cable connects a Polycom HDX system to an analog telephone line. It has pink RJ-11 connectors on both ends. The maximum approved length for this cable is 100 ft (30 m).

Length	Part Number	RoHS Compliant
12 ft (3.6 m)	2457-20071-001	Yes



WIRING IS "PIN TO PIN" 1-1, 2-2, ETC.



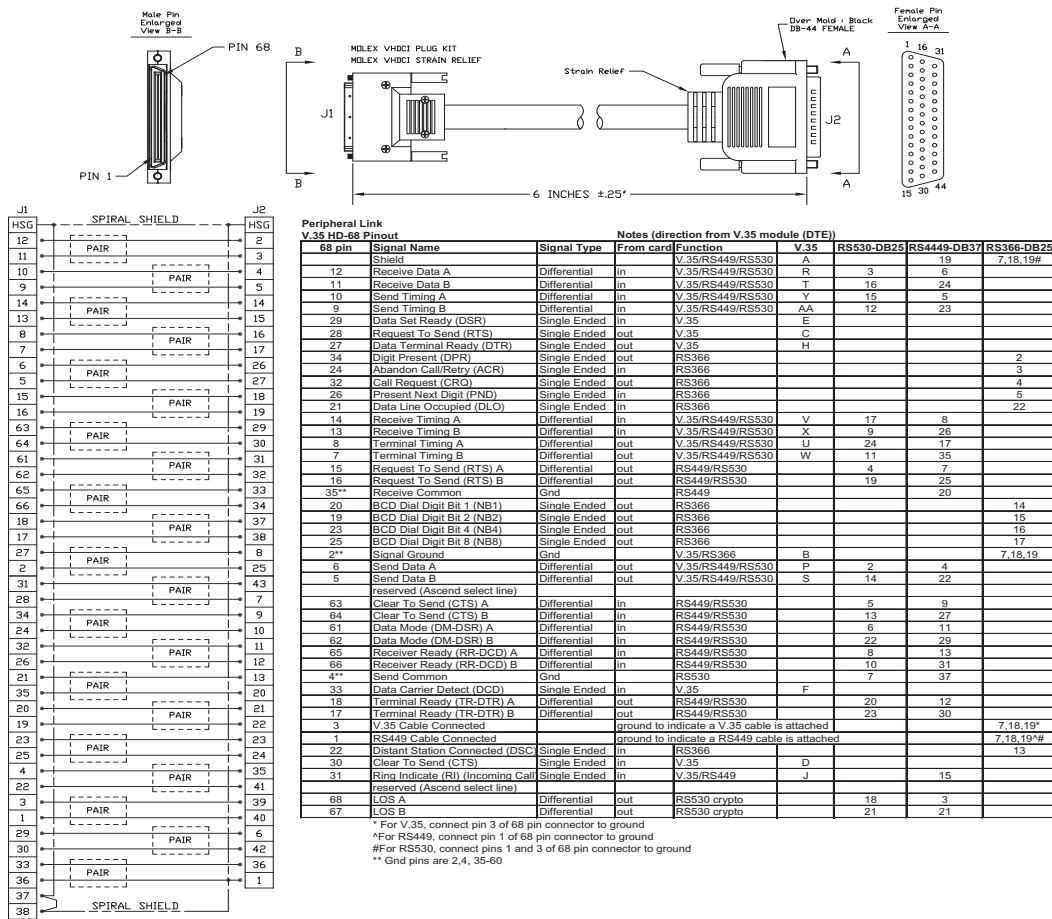
Drawings and part numbers are provided for reference only. Polycom claims no responsibility or liability for the quality, performance, or reliability of cables based on these reference drawings, other than cables provided by Polycom. Contact your Polycom distributor or Polycom Custom/Vertical Products to order cables that meet the appropriate manufacturing tolerances, quality, and performance parameters for your application.

V.35/RS-449/RS-530 Serial Adapter



This adapter is used when connecting a Polycom HDX system to other third-party network equipment. It adapts the 68-pin interface to an industry standard 44-pin interface used by some network interface equipment. It is used with Polycom HDX systems that have a V.35/RS-449/RS-530 serial network interface card (NIC) installed.

Length	Part Number	RoHS Compliant
6 in (15.23 cm)	2457-21264-200	Yes



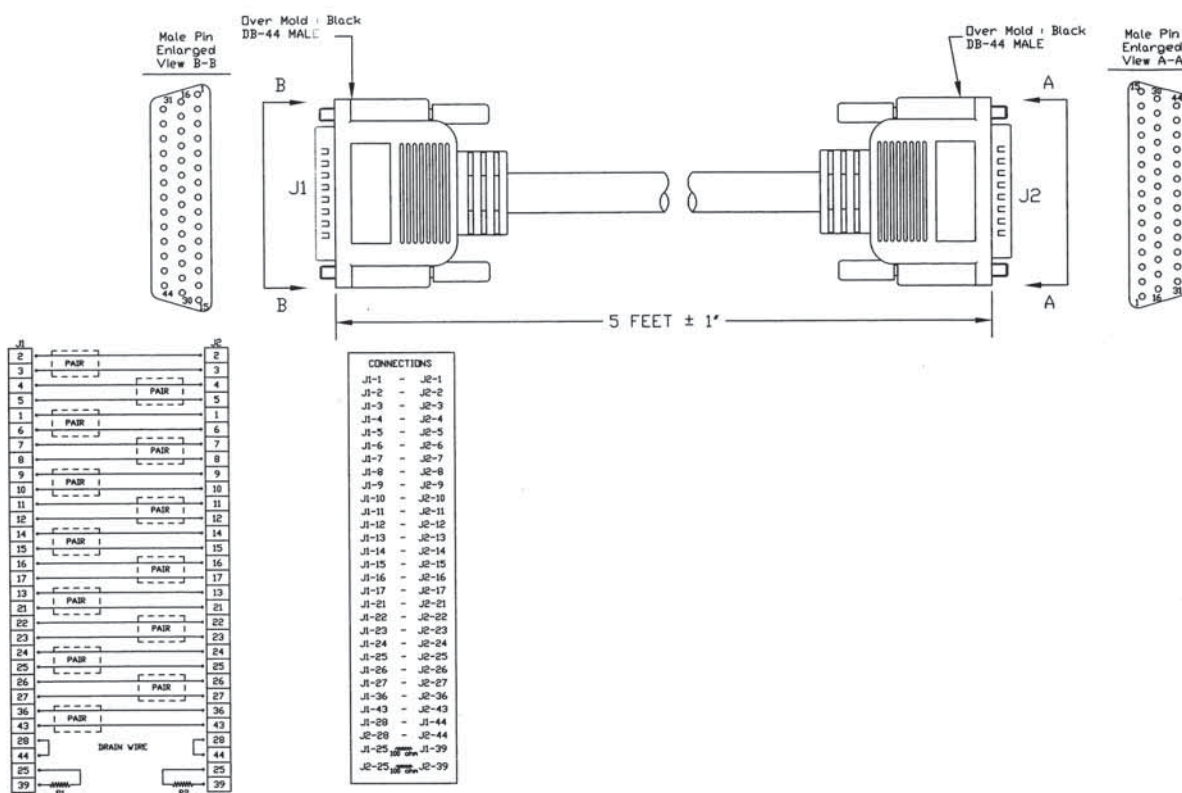
Drawings and part numbers are provided for reference only. Polycom claims no responsibility or liability for the quality, performance, or reliability of cables based on these reference drawings, other than cables provided by Polycom. Contact your Polycom distributor or Polycom Custom/Vertical Products to order cables that meet the appropriate manufacturing tolerances, quality, and performance parameters for your application.

V.35 NIC Cable



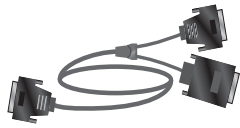
This cable connects a Polycom HDX system to Ascend network equipment. It is used with the [V.35/RS-449/RS-530 Serial Adapter](#) on page 2-8 to connect to network equipment that has the HD-44 pin interface. It has HD-44 M connectors on both ends and is used with Polycom HDX systems that have a serial network interface card (NIC) installed.

Length	Part Number	RoHS Compliant
5 ft (1.65 m)	2457-10608-200	Yes



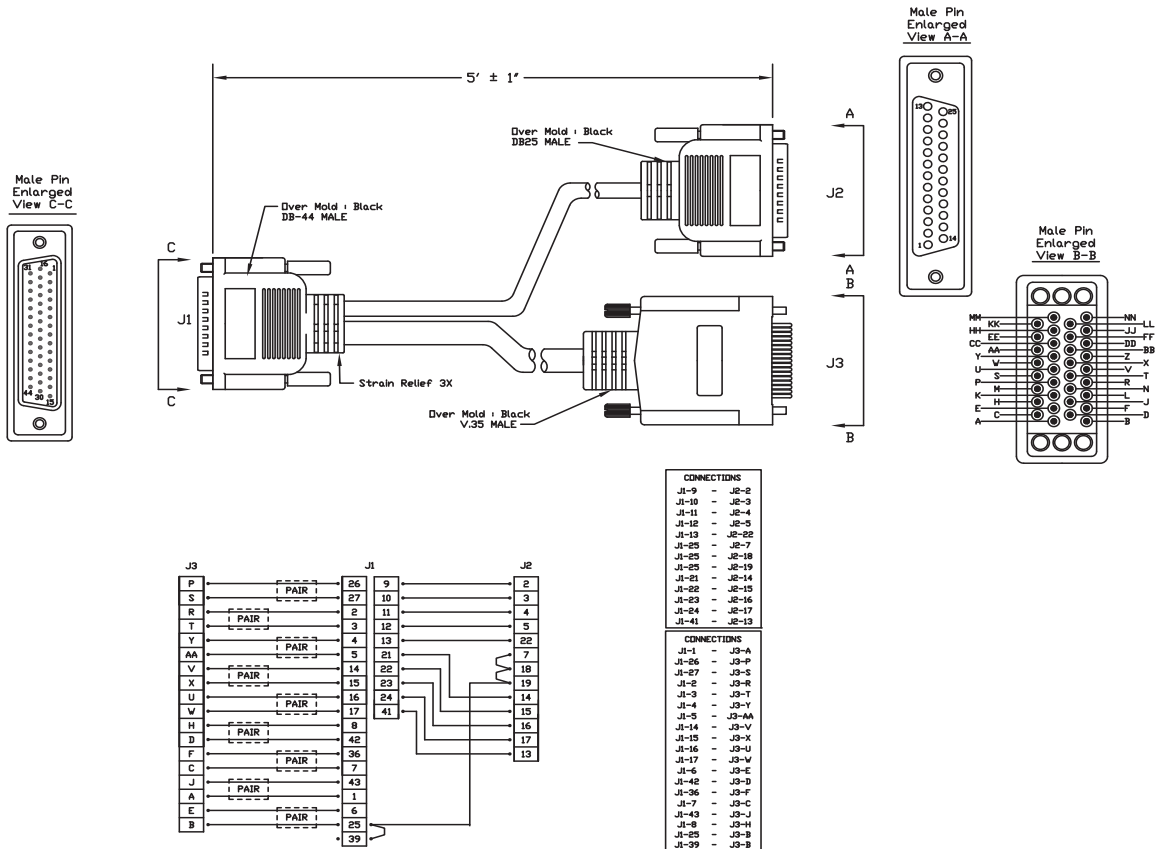
Drawings and part numbers are provided for reference only. Polycom claims no responsibility or liability for the quality, performance, or reliability of cables based on these reference drawings, other than cables provided by Polycom. Contact your Polycom distributor or Polycom Custom/Vertical Products to order cables that meet the appropriate manufacturing tolerances, quality, and performance parameters for your application.

V.35 and RS-366 Serial Cable



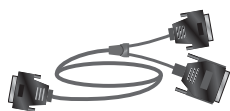
This cable connects a Polycom HDX system to third-party network equipment. It is used with the [V.35/RS-449/RS-530 Serial Adapter](#) on page 2-8 to connect to network equipment that has a V.35/RS-366 interface. It is HD-44 M to “Y” Winchester 34M/RS-366 DB-25M and is used with Polycom HDX systems that have a serial network interface card (NIC) installed.

Length	Part Number	RoHS Compliant
5 ft (1.65 m)	2457-10609-200	Yes



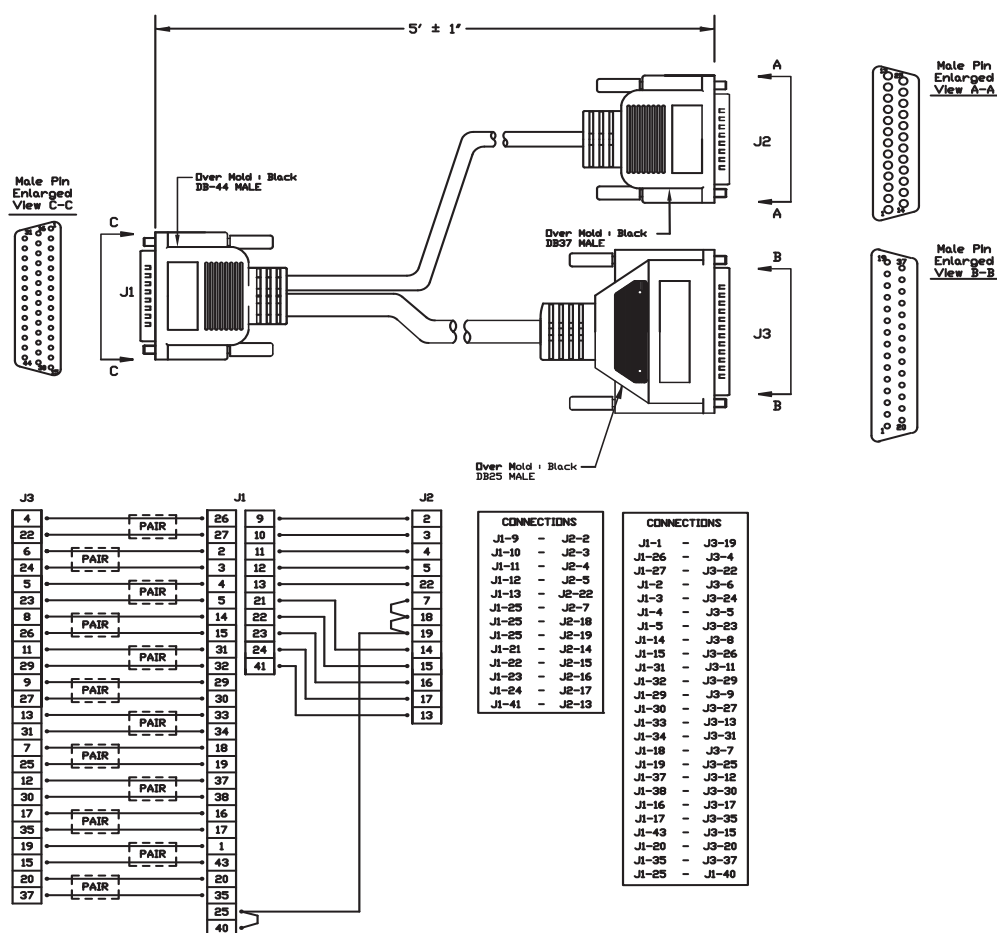
Drawings and part numbers are provided for reference only. Polycom claims no responsibility or liability for the quality, performance, or reliability of cables based on these reference drawings, other than cables provided by Polycom. Contact your Polycom distributor or Polycom Custom/Vertical Products to order cables that meet the appropriate manufacturing tolerances, quality, and performance parameters for your application.

RS-449 and RS-366 Serial Cable



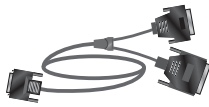
This cable connects a Polycom HDX system to third-party network equipment. It is used with the V.35/RS-449/RS-530 serial adapter on page [V.35/RS-449/RS-530 Serial Adapter](#) on page 2-8 to connect to network equipment that has an RS-449/RS-366 interface. It is HD-44 M to “Y” RS-449 DB-37M/RS-366 DB-25M and is used with Polycom HDX systems that have a serial network interface card (NIC) installed.

Length	Part Number	RoHS Compliant
5 ft (1.65 m)	2457-10610-200	Yes



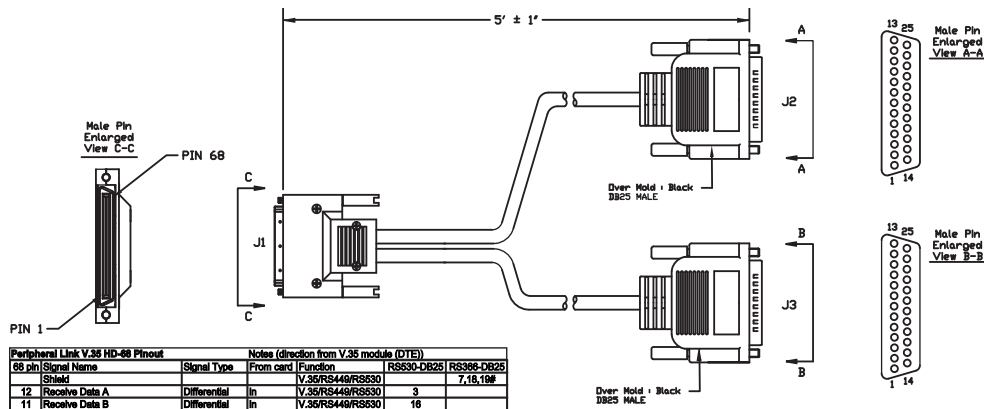
Drawings and part numbers are provided for reference only. Polycom claims no responsibility or liability for the quality, performance, or reliability of cables based on these reference drawings, other than cables provided by Polycom. Contact your Polycom distributor or Polycom Custom/Vertical Products to order cables that meet the appropriate manufacturing tolerances, quality, and performance parameters for your application.

RS-530 with RS-366 Serial Cable



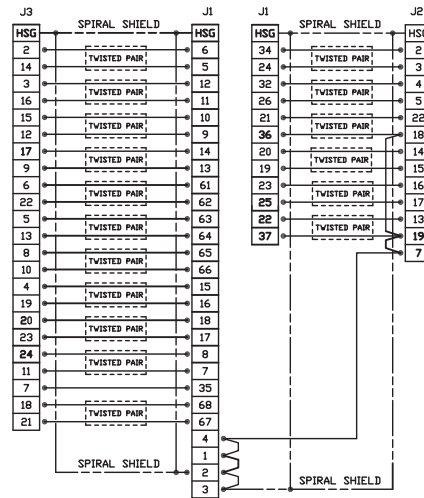
This cable connects a Polycom HDX system to third-party network equipment. It is used with the [V.35/RS-449/RS-530 Serial Adapter](#) on page 2-8 to connect to network equipment that has an RS-530/RS-366 interface. It is HD-68M to "Y" DB-25M and is used with Polycom HDX systems that have a serial network interface card (NIC) installed.

Length	Part Number	RoHS Compliant
5 ft (1.65 m)	2457-21263-200	Yes



Peripheral Link V.35 HD-68 Pinout		Notes (direction from V.35 module (DTE))	
68 pin Signal Name	Signal Type	From card	Function
Shield		V.35/RS449/RS630	RS530-DB25 RS366-DB25
12 Receive Data A	Differential	In	V.35/RS449/RS630 3 7,18,19*
11 Receive Data B	Differential	In	V.35/RS449/RS630 16
10 Send Timing A	Differential	In	V.35/RS449/RS630 15
9 Send Timing B	Differential	In	V.35/RS449/RS630 12
29 Data Set Ready (DSR)	Single Ended	In	V.35
28 Request To Send (RTS)	Single Ended	out	V.35
27 Data Terminal Ready (DTR)	Single Ended	out	V.35
34 Digit Present (DP)	Single Ended	out	RS366 2
24 Abandon Call/Busy (ACR)	Single Ended	In	RS366 3
32 Call Request (CR)	Single Ended	out	RS366 4
26 Present Next Digit (PND)	Single Ended	In	RS366 5
21 Data Line Occupied (DLO)	Single Ended	In	RS366 22
14 Receive Timing A	Differential	In	V.35/RS449/RS630 17
13 Receive Timing B	Differential	In	V.35/RS449/RS630 9
8 Terminal Timing A	Differential	out	V.35/RS449/RS630 24
7 Terminal Timing B	Differential	out	V.35/RS449/RS630 11
15 Request To Send (RTS) A	Differential	out	RS449/RS630 4
16 Request To Send (RTS) B	Differential	out	RS449/RS630 19
35** Receive Common	Gnd		RS449
20 BCD Dial Digit Bit 1 (NB1)	Single Ended	out	RS366 14
19 BCD Dial Digit Bit 2 (NB2)	Single Ended	out	RS366 15
23 BCD Dial Digit Bit 4 (NB4)	Single Ended	out	RS366 16
25 BCD Dial Digit Bit 5 (NB5)	Single Ended	out	RS366 17
2** Signal Ground	Gnd		V.35/RS366 7,18,19
6 Send Data A	Differential	out	V.35/RS449/RS630 2
5 Send Data B	Differential	out	V.35/RS449/RS630 14
reserved (Ascend select line)			
63 Clear To Send (CTS) A	Differential	In	RS449/RS630 5
64 Clear To Send (CTS) B	Differential	In	RS449/RS630 13
61 Data Mode (DM-DSR) A	Differential	In	RS449/RS630 6
62 Data Mode (DM-DSR) B	Differential	In	RS449/RS630 22
65 Receiver Ready (RR-DCC) A	Differential	In	RS449/RS630 9
66 Receiver Ready (RR-DCC) B	Differential	In	RS449/RS630 10
4** Send Common	Gnd		RS630 7
33 Data Carrier Detect (DCD)	Single Ended	In	V.35
18 Terminal Ready (TR-DTR) A	Differential	out	RS449/RS630 20
17 Terminal Ready (TR-DTR) B	Differential	out	RS449/RS630 23
3 V.35 Cable Connected	ground to indicate a V.35 cable is attached		7,18,19**
1 RS449 Cable Connected	ground to indicate a RS449 cable is attached		7,18,19**
22 Distort Station Connected (DSC)	Single Ended	In	RS366 18
30 Clear To Send (CTS)	Single Ended	In	V.35
31 Ring Indicate (RI) (Incoming Call)	Single Ended	In	V.35/RS449
reserved (Ascend select line)			
68 LOS A	Differential	out	RS630 crypto 16
67 LOS B	Differential	out	RS630 crypto 21

* For V.35, connect pin 3 of 68 pin connector to ground
 #For RS449, connect pin 1 of 68 pin connector to ground
 #For RS630, connect pins 1 and 3 of 68 pin connector to ground
 ** Gnd pins are 2,4, 35-60





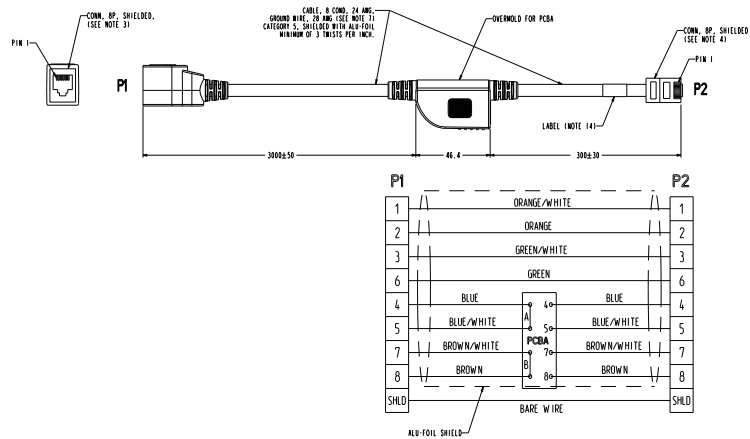
Drawings and part numbers are provided for reference only. Polycom claims no responsibility or liability for the quality, performance, or reliability of cables based on these reference drawings, other than cables provided by Polycom. Contact your Polycom distributor or Polycom Custom/Vertical Products to order cables that meet the appropriate manufacturing tolerances, quality, and performance parameters for your application.

Polycom Touch Control Power Adapter



This adapter connects the Polycom Touch Control device to the LAN and a power supply (part number 2200-42740-XXX) for rooms that do not have Power over Ethernet (PoE).

Length	Part Number	RoHS Compliant
2.1 ft (.61 m)	2457-40054-001	Yes



Drawings and part numbers are provided for reference only. Polycom claims no responsibility or liability for the quality, performance, or reliability of cables based on these reference drawings, other than cables provided by Polycom. Contact your Polycom distributor or Polycom Custom/Vertical Products to order cables that meet the appropriate manufacturing tolerances, quality, and performance parameters for your application.

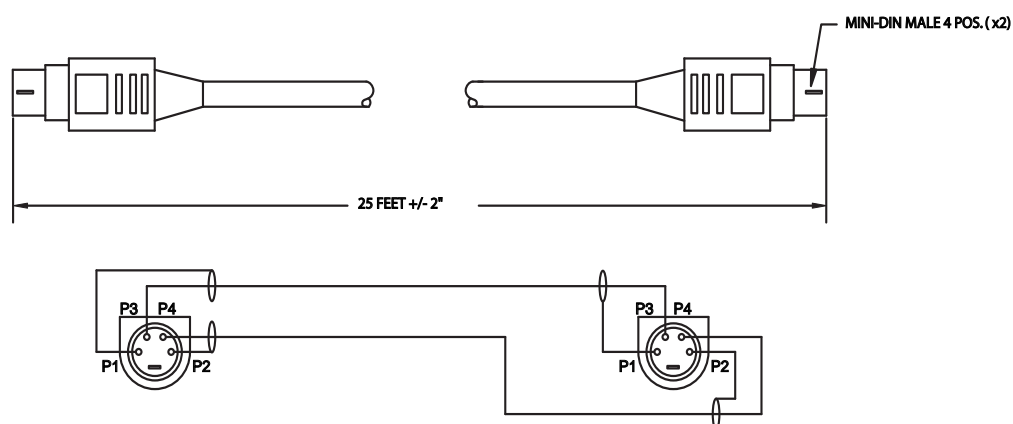
Video and Camera Cables

S-Video Cable



These cables connect a Polycom HDX system to a monitor or camera. They have yellow 4-pin mini-DIN connectors on both ends and are used with all Polycom HDX systems. The maximum approved length for this cable is 200 ft (60 m).

Length	Part Number	RoHS Compliant
8 ft (2.4 m)	2457-08410-002	Yes
25 ft (7.6 m)	2457-08409-002	Yes
50 ft (15 m)	2457-09204-200	Yes



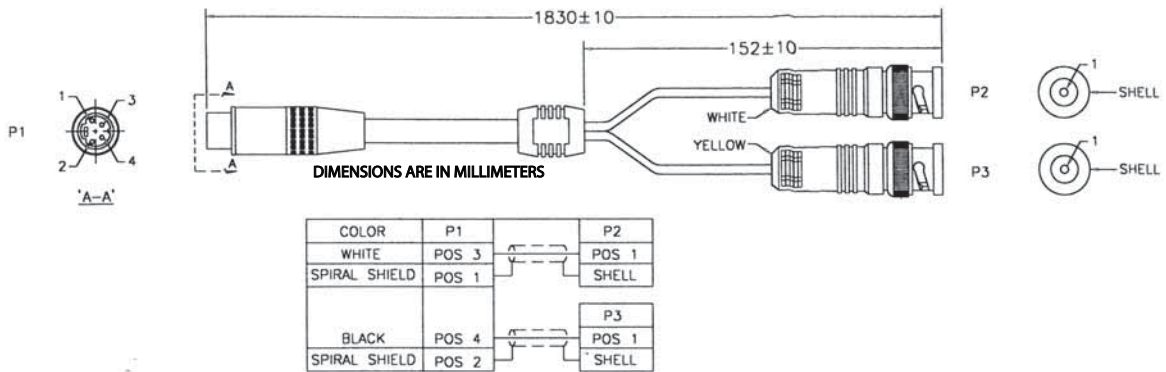
Drawings and part numbers are provided for reference only. Polycom claims no responsibility or liability for the quality, performance, or reliability of cables based on these reference drawings, other than cables provided by Polycom. Contact your Polycom distributor or Polycom Custom/Vertical Products to order cables that meet the appropriate manufacturing tolerances, quality, and performance parameters for your application.

BNC to S-Video Cable



This cable connects S-Video devices to a Polycom HDX system. It is 4-pin male mini-DIN to dual BNC male. The maximum approved length for this cable is 100 ft (30 m).

Length	Part Number	RoHS Compliant
6 ft (1.8 m)	2457-21489-200	Yes



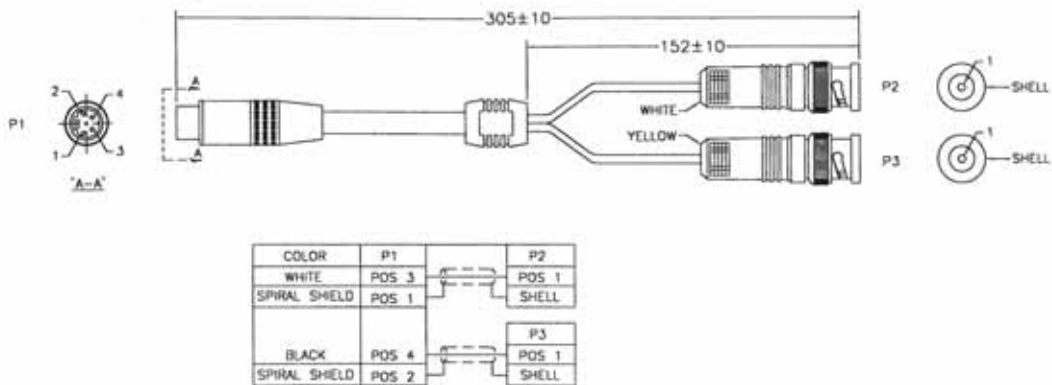
Drawings and part numbers are provided for reference only. Polycom claims no responsibility or liability for the quality, performance, or reliability of cables based on these reference drawings, other than cables provided by Polycom. Contact your Polycom distributor or Polycom Custom/Vertical Products to order cables that meet the appropriate manufacturing tolerances, quality, and performance parameters for your application.

BNC to S-Video Adapter



This adapter may be required when connecting standard S-Video cables to a Polycom HDX system. It is dual BNC male to 4-pin female mini-DIN.

Length	Part Number	RoHS Compliant
1 ft (.3 m)	2457-21490-200	Yes



Drawings and part numbers are provided for reference only. Polycom claims no responsibility or liability for the quality, performance, or reliability of cables based on these reference drawings, other than cables provided by Polycom. Contact your Polycom distributor or Polycom Custom/Vertical Products to order cables that meet the appropriate manufacturing tolerances, quality, and performance parameters for your application.

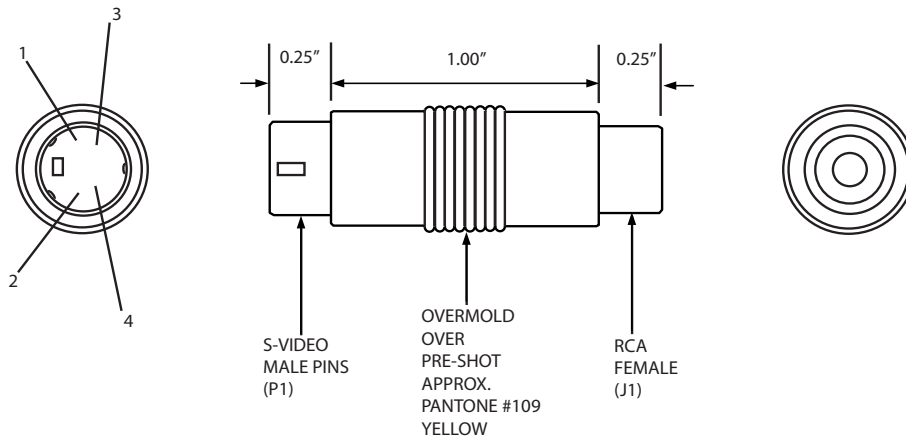
S-Video to RCA Adapter



This adapter is used when connecting a standard composite video cable (or the video jack on a VCR cable) into an S-Video connector on a Polycom HDX system. It is yellow RCA to 4-pin mini-DIN.

This adapter can be used along with the BNC to S-Video cable (part number 2457-21489-200) or BNC to S-Video adapter (part number 2457-21490-200) to connect a composite monitor or VCR to a BNC connector on a Polycom HDX 9000 series system.

Length	Part Number	RoHS Compliant
1.5 in	1517-08822-002	Yes



WIRE LIST		
P1-3	↔	J1-CENTER
P1-4	↔	N.C.
P1-1	↔	P1-2 ↔ J1-SHIELD
P1-SHIELD	↔	N.C.



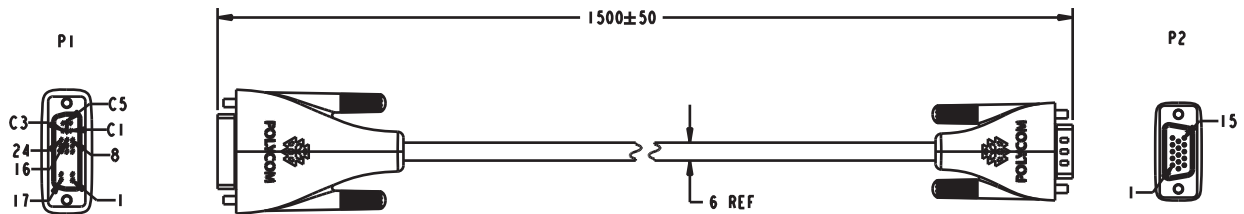
Drawings and part numbers are provided for reference only and might not be available separately. Polycom claims no responsibility or liability for the quality, performance, or reliability of cables based on these reference drawings, other than cables provided by Polycom. Contact your Polycom distributor or Polycom Custom Products/Vertical Solutions to order cables that meet the appropriate manufacturing tolerances, quality, and performance parameters for your application.

DVI to VGA Monitor Cable



This cable connects a Polycom HDX system DVI-I output to a VGA monitor. It can also be used to connect a computer to one of the DVI-A video inputs on a Polycom HDX system. It is male DVI-A to male HD-15.

Length	Part Number	RoHS Compliant
4 ft 6 in (1.5 m)	2457-25182-001	Yes
9 ft 10 in (3 m)	2457-23792-001	Yes
25 ft (7.6 m)	2457-23792-025	Yes



WIRING LIST				
SIGNAL	P1	P2	CABLE UNIT	CONDUCTOR
RED	C1	1	D1	CENTER
GREEN	C2	2	D2	CENTER
BLUE	C3	3	D3	CENTER
H-SYNC	C4	13	E1	-
GROUND-RED		6	D1	SHIELD
GROUND-GREEN	C5	7	D2	SHIELD
GROUND-BLUE		8	D3	SHIELD
DDC-SCL	6	15	E2	-
DDC-SDA	7	12	E3	-
V-SYNC	8	14	E4	-
+5V DC	14	9	E5	-
	16			
GROUND	15	5	E6	-
		10		
SHIELD	SHELL	SHELL	C, D	-



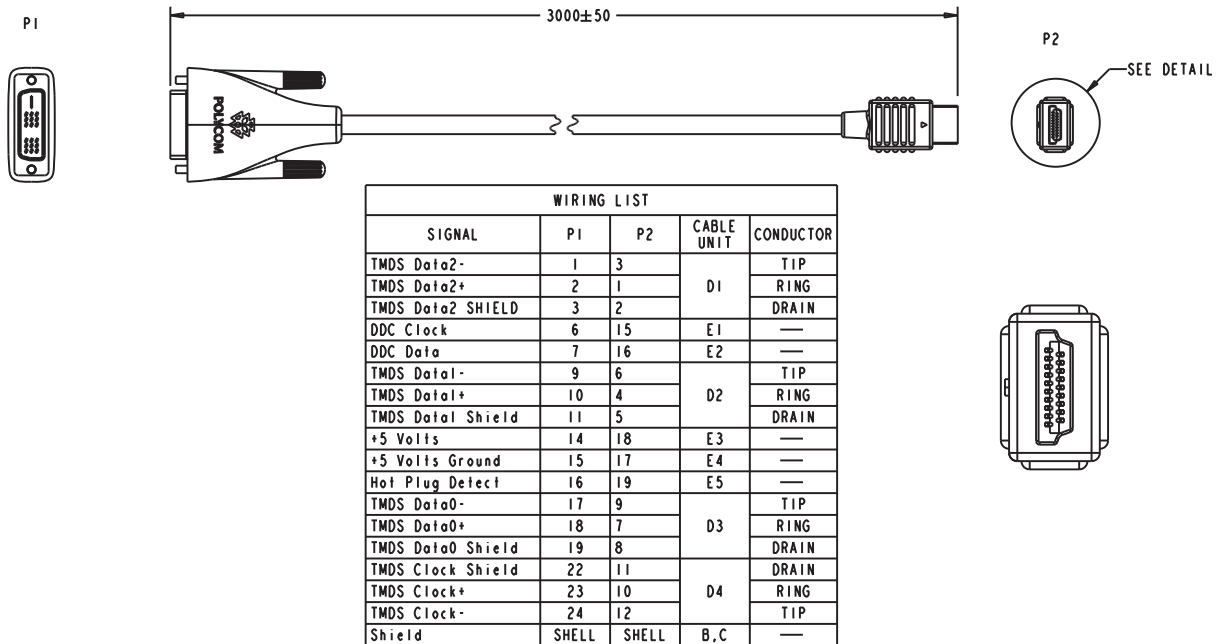
Drawings and part numbers are provided for reference only. Polycom claims no responsibility or liability for the quality, performance, or reliability of cables based on these reference drawings, other than cables provided by Polycom. Contact your Polycom distributor or Polycom Custom/Vertical Products to order cables that meet the appropriate manufacturing tolerances, quality, and performance parameters for your application.

HDMI Monitor Cable



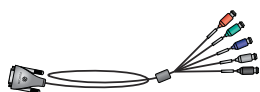
This cable connects the Polycom HDX system DVI-I output to an HDMI monitor. It is male DVI-D to male HDMI.

Length	Part Number	RoHS Compliant
2 ft (0.6 m)	2457-52745-002	Yes
3 ft (0.9 m)	2457-28808-001	Yes
6 ft (1.8 m)	2457-28808-002	Yes
9 ft 10 in (3 m)	2457-23905-001	Yes



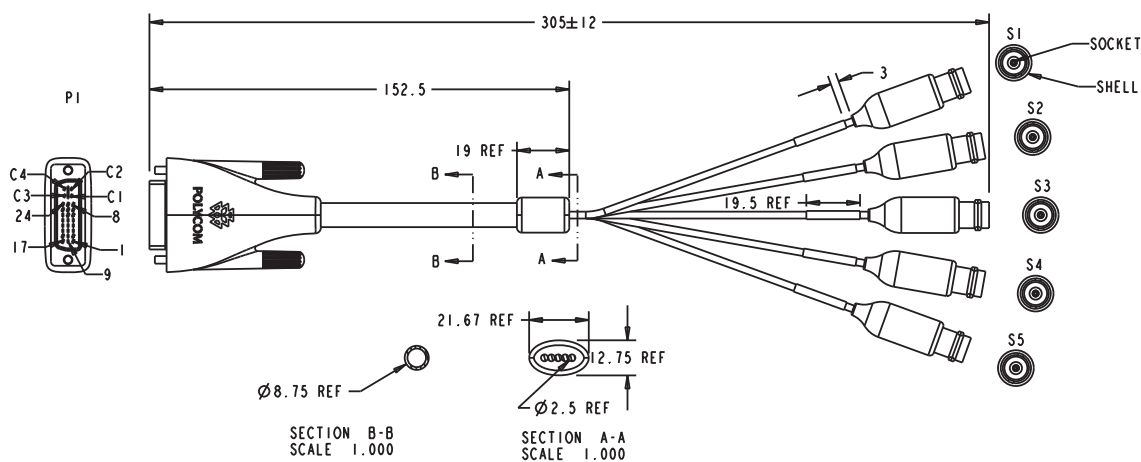
Drawings and part numbers are provided for reference only. Polycom claims no responsibility or liability for the quality, performance, or reliability of cables based on these reference drawings, other than cables provided by Polycom. Contact your Polycom distributor or Polycom Custom/Vertical Products to order cables that meet the appropriate manufacturing tolerances, quality, and performance parameters for your application.

BNC Monitor Adapter Cable



This cable connects the Polycom HDX system DVI-I output to a variety of analog display devices with composite, S-Video, component YPbPr, or RGBHV inputs. It is male DVI-A to five female BNC connectors.

Length	Part Number	RoHS Compliant
1 ft (0.3 m)	2457-23533-001	Yes



WIRING LIST							
SIGNAL	P1	WIRE	S1	S2	S3	S4	S5
VSync	8	COAX #1 CENTER	---	---	---	---	SOCKET
R/C/Pr	C1	COAX #2 CENTER	SOCKET	---	---	---	---
G/Y/Y/Comp.	C2	COAX #3 CENTER	---	SOCKET	---	---	---
B/-/Pb	C3	COAX #4 CENTER	---	---	SOCKET	---	---
HSync	C4	COAX #5 CENTER	---	---	---	SOCKET	---
GROUND	C5	COAX #1 SHIELD	SHELL	---	---	---	---
		COAX #2 SHIELD	---	SHELL	---	---	---
		COAX #3 SHIELD	---	---	SHELL	---	---
		COAX #4 SHIELD	---	---	---	SHELL	---
		COAX #5 SHIELD	---	---	---	---	SHELL



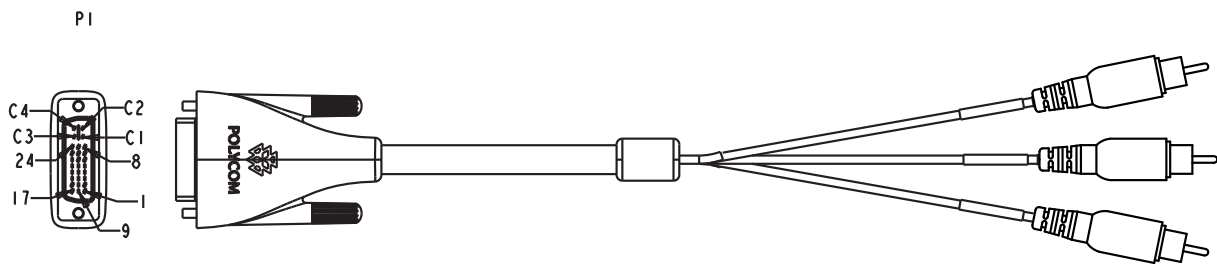
Drawings and part numbers are provided for reference only. Polycom claims no responsibility or liability for the quality, performance, or reliability of cables based on these reference drawings, other than cables provided by Polycom. Contact your Polycom distributor or Polycom Custom/Vertical Products to order cables that meet the appropriate manufacturing tolerances, quality, and performance parameters for your application.

Polycom HDX Component Monitor Cable



This cable connects a Polycom HDX system DVI-I output to a monitor with component connections. It is male DVI-A to three RCA.

Length	Part Number	RoHS Compliant
6 ft (1.8 m)	2457-52698-006	Yes
12 ft (3.6 m)	2457-52698-012	Yes



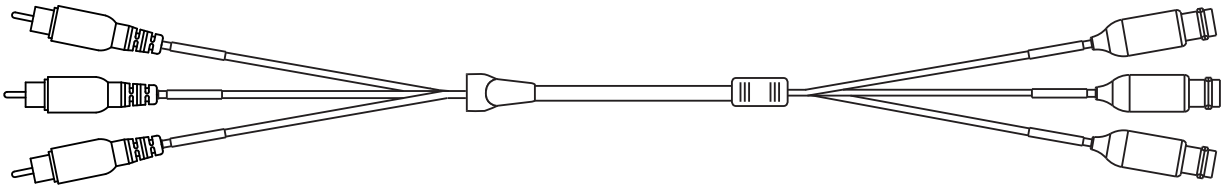
Drawings and part numbers are provided for reference only. Polycom claims no responsibility or liability for the quality, performance, or reliability of cables based on these reference drawings, other than cables provided by Polycom. Contact your Polycom distributor or Polycom Custom/Vertical Products to order cables that meet the appropriate manufacturing tolerances, quality, and performance parameters for your application.

HDX Component Video Cable



This cable connects a Polycom HDX system to a video playback device with component connections. It is three RCA to three male BNC.

Length	Part Number	RoHS Compliant
25 ft (7.6 m)	2457-52688-025	Yes



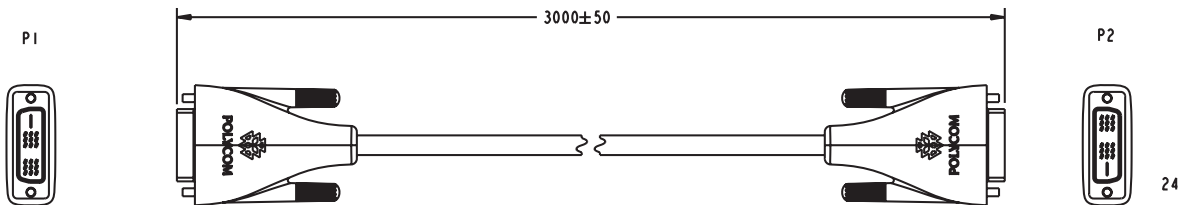
Drawings and part numbers are provided for reference only. Polycom claims no responsibility or liability for the quality, performance, or reliability of cables based on these reference drawings, other than cables provided by Polycom. Contact your Polycom distributor or Polycom Custom/Vertical Products to order cables that meet the appropriate manufacturing tolerances, quality, and performance parameters for your application.

DVI-D Monitor Cable



This cable connects a Polycom HDX system DVI-I output to a DVI-D monitor. It is male DVI-D on both ends.

Length	Part Number	RoHS Compliant
4 ft 6 in (1.5 m)	2457-25181-001	Yes
9 ft 10 in (3 m)	2457-23793-001	Yes



WIRING LIST				
SIGNAL	P1	P2	CABLE UNIT	CONDUCTOR
TMDS Data2-	1	1	D1	TIP
TMDS Data2+	2	2		RING
TMDS Data2 SHIELD	3	3		DRAIN
DDC Clock	6	6	E1	—
DDC Data	7	7	E2	—
TMDS Data1-	9	9	D2	TIP
TMDS Data1+	10	10		RING
TMDS Data1 Shield	11	11		DRAIN
+5 Volts	14	14	E3	—
+5 Volts Ground	15	15	E4	—
Hot Plug Detect	16	16	E5	—
TMDS Data0-	17	17	D3	TIP
TMDS Data0+	18	18		RING
TMDS Data0 Shield	19	19		DRAIN
TMDS Clock Shield	22	22	D4	DRAIN
TMDS Clock+	23	23		RING
TMDS Clock-	24	24		TIP
Shield	SHELL	SHELL	B,C	—



Drawings and part numbers are provided for reference only. Polycom claims no responsibility or liability for the quality, performance, or reliability of cables based on these reference drawings, other than cables provided by Polycom. Contact your Polycom distributor or Polycom Custom/Vertical Products to order cables that meet the appropriate manufacturing tolerances, quality, and performance parameters for your application.

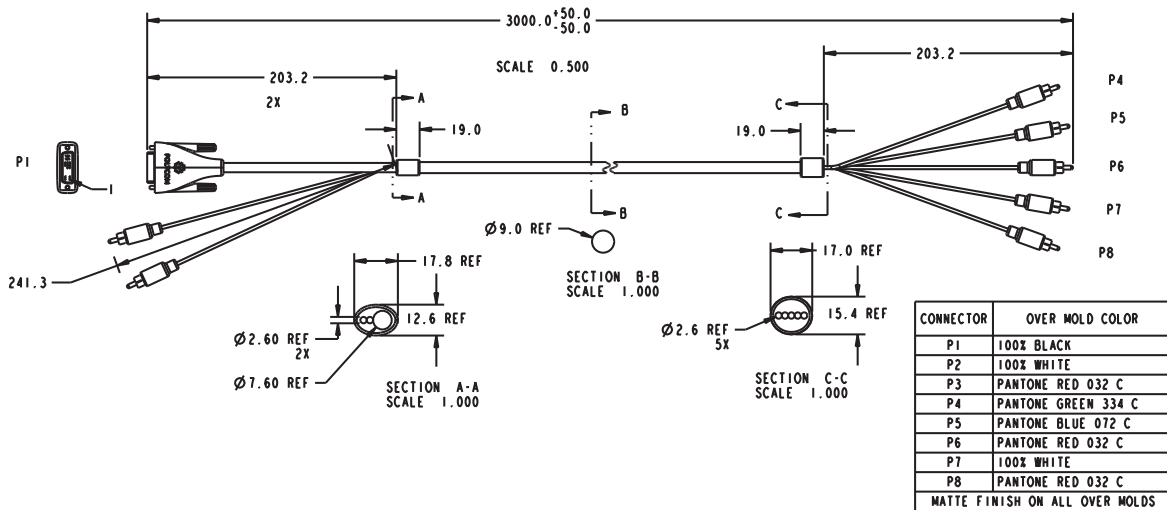
Component A/V Monitor Cable



This cable connects a Polycom HDX system DVI-I video output and stereo audio output to a monitor with component video and stereo audio connections. It is male DVI-A and dual male RCA to five RCA.

You must use the [Audio Adapter Cable](#) on page 2-56 to connect the dual RCA connectors on this component A/V monitor cable to the dual Phoenix connectors on the Polycom HDX system.

Length	Part Number	RoHS Compliant
9 ft 10 in (3 m)	2457-24772-001	Yes



Drawings and part numbers are provided for reference only. Polycom claims no responsibility or liability for the quality, performance, or reliability of cables based on these reference drawings, other than cables provided by Polycom. Contact your Polycom distributor or Polycom Custom/Vertical Products to order cables that meet the appropriate manufacturing tolerances, quality, and performance parameters for your application.

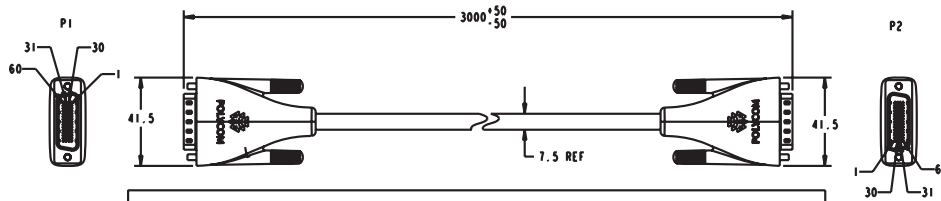
HDCI Analog Camera Cable



This cable connects a Polycom HDX system to a Polycom EagleEye HD, Polycom EagleEye II, Polycom EagleEye III, or Polycom EagleEye Director. This cable can be connected to the EagleEye View camera, but does not support audio. It has male HDCI connectors on both ends.

The over-mold connectors of the 2457-27453-001 and 2457-27454-00 cables are black.

Length	Part Number	RoHS Compliant
1 ft 6 in (0.5 m)	2457-52745-001	Yes
3 ft 7 in (1.1 m)	2457-27453-001	Yes
6 ft 3 in (1.9 m)	2457-27454-001	Yes
9 ft 10 in (3 m)	2457-23180-003	Yes
33 ft (10 m)	2457-23180-010	Yes
50 ft (15 m)	2457-23180-015	Yes
100 ft (30 m)	2457-23180-030	Yes



WIRING LIST					
SIGNAL NAME	P1 PIN#	P2 PIN#	CABLE UNIT	CONDUCTOR	COLOR
Y	47	47	D1	CENTER	
Y SHIELD	46	46		SHIELD	
Pb	13	13	D2	CENTER	
Pb SHIELD	12	12		SHIELD	
Pr	14	14	D3	CENTER	
Pr SHIELD	15	15		SHIELD	
+12 VDC	4	4	E1	-	
+12 VDC	5	5	E2	-	
+12 VDC	10	10	E3	-	
+12 VDC	11	11	E4	-	
GND	7	7	E5	-	
GND	8	8	E6	-	
GND	48	48	E7	-	
GND	58	58	E8	-	
Rx	1	1	E9	-	
Tx	2	2	E10	-	
IR	3	3	E11	-	
GND	SHELL	SHELL	B	-	



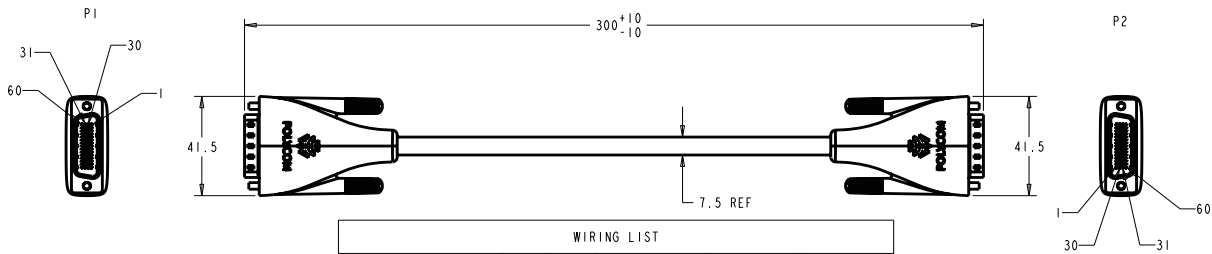
Drawings and part numbers are provided for reference only. Polycom claims no responsibility or liability for the quality, performance, or reliability of cables based on these reference drawings, other than cables provided by Polycom. Contact your Polycom distributor or Polycom Custom/Vertical Products to order cables that meet the appropriate manufacturing tolerances, quality, and performance parameters for your application.

HDCI Polycom EagleEye Director Cable



This cable connects a Polycom EagleEye II or Polycom EagleEye III camera to the Polycom EagleEye Director base. It has male HDCI connectors on both ends.

Length	Part Number	RoHS Compliant
1 ft (0.3 m)	2457-26122-001	Yes

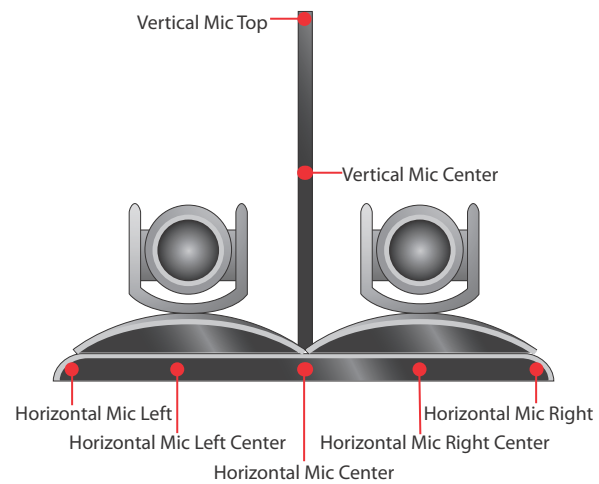


WIRING LIST					
SIGNAL NAME	P1 PIN#	P2 PIN#	CABLE UNIT	CONDUCTOR	COLOR
Y	47	47	D1	CENTER	
Y SHIELD	46	46		SHIELD	
Pb	13	13	D2	CENTER	
Pb SHIELD	12	12		SHIELD	
Pr	14	14	D3	CENTER	
Pr SHIELD	15	15		SHIELD	
+12 VDC	4	4	E1	-	
+12 VDC	5	5	E2	-	
+12 VDC	10	10	E3	-	
+12 VDC	11	11	E4	-	
GND	7	7	E5	-	
GND	8	8	E6	-	
GND	48	48	E7	-	
GND	58	58	E8	-	
Rx	1	1	E9	-	
Tx	2	2	E10	-	
IR	3	3	E11	-	
GND	SHELL	SHELL	B	-	



Drawings and part numbers are provided for reference only. Polycom claims no responsibility or liability for the quality, performance, or reliability of cables based on these reference drawings, other than cables provided by Polycom. Contact your Polycom distributor or Polycom Custom/Vertical Products to order cables that meet the appropriate manufacturing tolerances, quality, and performance parameters for your application.

As shown in the following figure, the EagleEye Director has seven microphones embedded in the base.



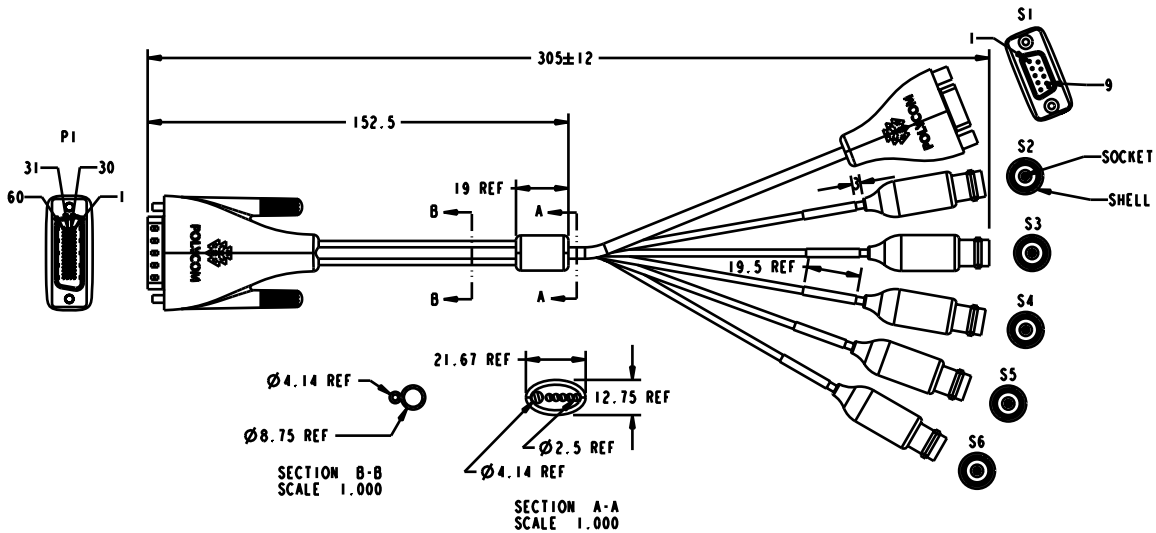
For information about positioning the camera, refer to the *Administrator's Guide for Polycom HDX Systems*.

HDCI Camera Break-Out Cable



This cable breaks out the HDCI camera cable video and control signals to standard interfaces. This cable can be connected to the EagleEye View camera, but does not support audio. The five BNC connectors can be used to carry composite video, S-Video, or analog component YPbPr video. The DB-9 connector is used to connect to PTZ camera control interfaces. It is male HDCI to five female BNC and one female DB-9.

Length	Part Number	RoHS Compliant
1ft (0.3 m)	2457-23521-001	Yes



WIRING LIST								
SIGNAL	WIRE	P1	S1	S2	S3	S4	S5	S6
RS-232 Rx	28 AWG #1	1	2	---	---	---	---	---
RS-232 Tx	28 AWG #2	2	3	---	---	---	---	---
IR	28 AWG #3	3	9	---	---	---	---	---
GROUND	28 AWG #4	7	5	---	---	---	---	---
Pb/B SHIELD	COAX #1 SHIELD	12	---	---	---	SHELL	---	---
Pb/B	COAX #1 CENTER	13	---	---	---	SOCKET	---	---
Pr/R/C SHIELD	COAX #2 CENTER	14	---	SOCKET	---	---	---	---
Pr/R/C	COAX #2 SHIELD	15	---	SHELL	---	---	---	---
Y/G/C SHIELD	COAX #3 SHIELD	46	---	---	SHELL	---	---	---
Y/G/C	COAX #3 CENTER	47	---	---	SOCKET	---	---	---
HSync	COAX #4 CENTER	50	---	---	---	---	SOCKET	---
VSync	COAX #5 CENTER	51	---	---	---	---	---	SOCKET
HSync SHIELD	COAX #4 SHIELD	52	---	---	---	---	SHELL	---
VSync SHIELD	COAX #5 SHIELD	52	---	---	---	---	---	SHELL
---	BRAIDED SHIELD	SHIELD	SHIELD	---	---	---	---	---

Universal Breakout Cable			
3 x BNC	Video Output		
	Composite	Svideo	Component
	Red		C
Green	C	Y	Y
Blue			Pb



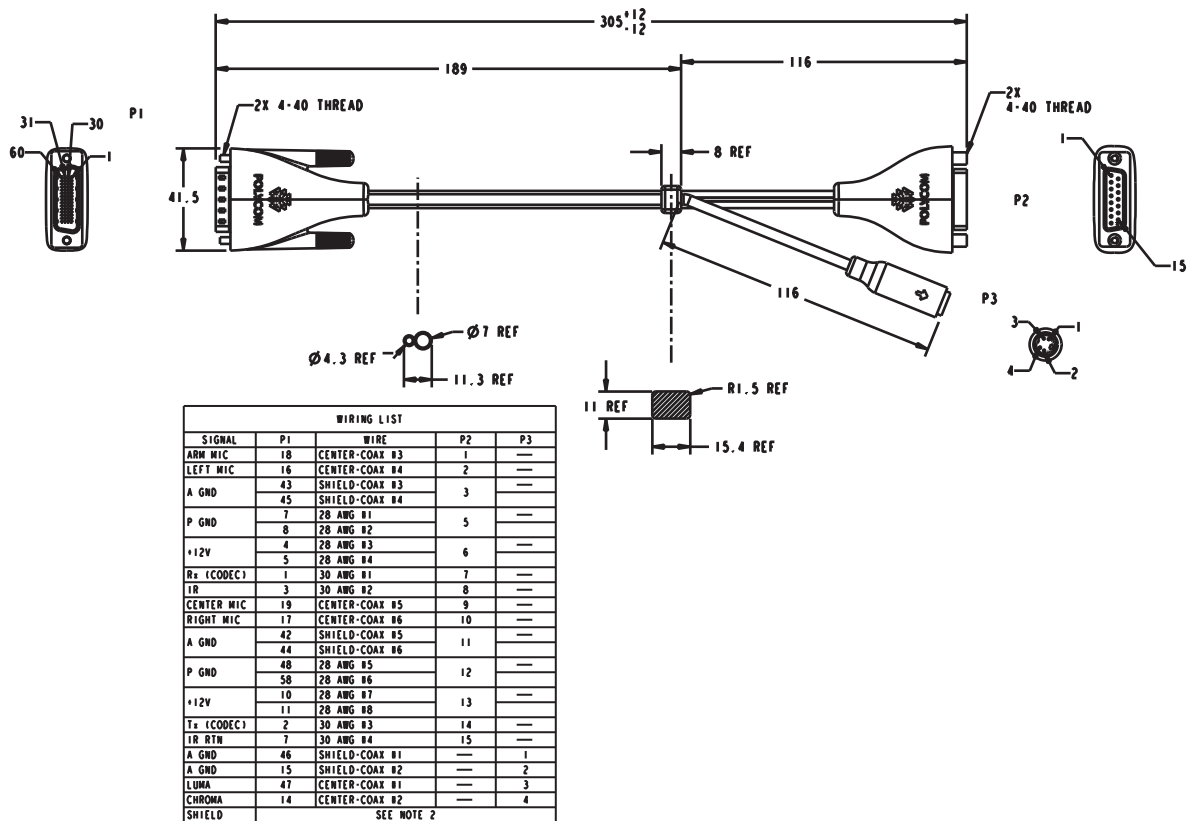
Drawings and part numbers are provided for reference only. Polycom claims no responsibility or liability for the quality, performance, or reliability of cables based on these reference drawings, other than cables provided by Polycom. Contact your Polycom distributor or Polycom Custom/Vertical Products to order cables that meet the appropriate manufacturing tolerances, quality, and performance parameters for your application.

HDCI PowerCam Plus Adapter Cable



This cable adapts a PowerCam Plus cable to HDCI. It is HDCI to 4-pin mini-DIN and DB-15. It can also be used with the [PowerCam Primary Camera Cable](#) on page 2-40 to connect PowerCam.

Length	Part Number	RoHS Compliant
1 ft (0.3 m)	2457-23481-001	Yes



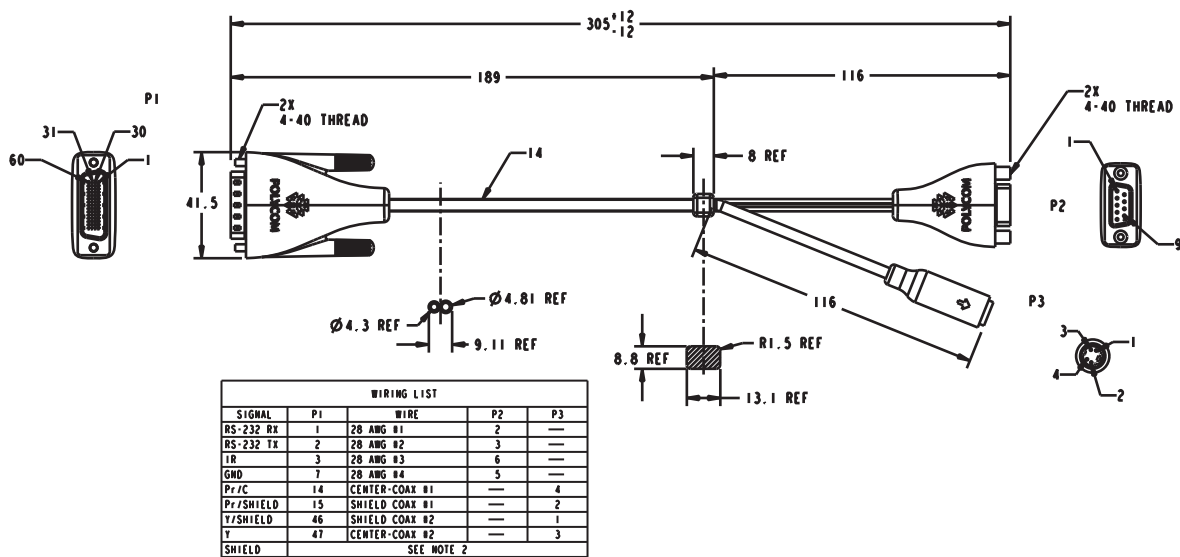
Drawings and part numbers are provided for reference only. Polycom claims no responsibility or liability for the quality, performance, or reliability of cables based on these reference drawings, other than cables provided by Polycom. Contact your Polycom distributor or Polycom Custom/Vertical Products to order cables that meet the appropriate manufacturing tolerances, quality, and performance parameters for your application.

HDCI VISCA Adapter Cable



This cable connects a Polycom HDX system HDCI video input to SD cameras with VISCA control that use a DB-9 serial connector. It is HDCI to 4-pin mini-DIN and DB-9. Standard S-Video and DB-9 serial cables are required to connect this cable to the camera.

Length	Part Number	RoHS Compliant
1 ft (0.3 m)	2457-23486-001	Yes



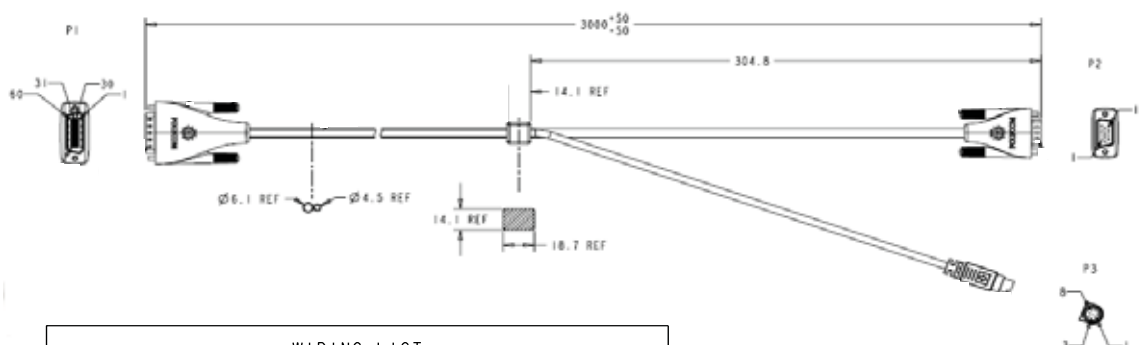
Drawings and part numbers are provided for reference only. Polycom claims no responsibility or liability for the quality, performance, or reliability of cables based on these reference drawings, other than cables provided by Polycom. Contact your Polycom distributor or Polycom Custom/Vertical Products to order cables that meet the appropriate manufacturing tolerances, quality, and performance parameters for your application.

HDCI Polycom EagleEye 1080 Camera Cable



This cable connects a Polycom system HDCI video input to the Polycom EagleEye 1080, Sony EVI-HD1 PTZ, or Sony BRC-H700 PTZ cameras. It is HDCI to 8-pin mini-DIN and HD-15. The maximum approved length for this cable is 100 ft (30 m).

Length	Part Number	RoHS Compliant
1 ft (0.3 m)	2457-23548-001	Yes
9 ft 10 in (3 m)	2457-28153-001	Yes
33 ft (10 m)	2457-28154-001	Yes
50 ft (15m)	2457-28154-050	Yes
100 ft (30m)	2457-28154-100	Yes



WIRING LIST				
SIGNAL NAME	P1	CABLE UNIT	P2	P3
RS-232 Rx	1	E1	—	3
RS-232 Tx	2	E2	—	5
IR	3	E3	—	7
				8
GROUND	7	E4	—	4
B SHIELD	12	D1 SHIELD	8	—
B	13	D1 CENTER	3	—
R	14	D2 CENTER	1	—
R SHIELD	15	D2 SHIELD	6	—
G SHIELD	46	D3 SHIELD	7	—
G	47	D3 CENTER	2	—
H SYNC	50	D4 CENTER	13	—
V SYNC	51	D5 CENTER	14	—
VSYNC GROUND	52	D4 SHIELD	11	—
HSYNC GROUND		D5 SHIELD	10	—
GROUND	48	E5	4	—
	58	E6	5	—
SHIELD	SHELL	B1	—	SHELL
		B2	SHELL	—



Drawings and part numbers are provided for reference only. Polycom claims no responsibility or liability for the quality, performance, or reliability of cables based on these reference drawings, other than cables provided by Polycom. Contact your Polycom distributor or Polycom Custom/Vertical Products to order cables that meet the appropriate manufacturing tolerances, quality, and performance parameters for your application.

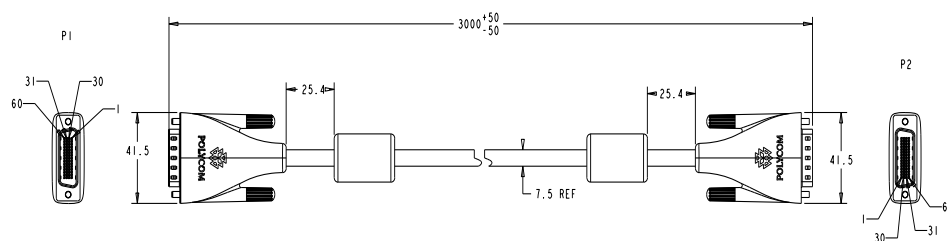
HDCI Polycom EagleEye View Camera Cable



This cable connects a Polycom HDX system HDCI video input to a Polycom EagleEye View camera. It has male HDCI connectors on both ends.

The over-mold connectors of the 2457-09729-001 cable are brown.

Length	Part Number	RoHS Compliant
1.5 ft (457 mm)	2457-09729-001	Yes
9 ft 10 in (3 m)	2457-29759-001	Yes
33 ft (10 m)	2457-29759-010	Yes



WIRING LIST				
SIGNAL NAME	P1 PIN#	P2 PIN#	CABLE UNIT	CONDUCTOR
Y	47	47	D1	CENTER
Y SHIELD	46	46	D1	SHIELD
Pb	13	13	D2	CENTER
Pb SHIELD	12	12	D2	SHIELD
Pr	14	14	D3	CENTER
Pr SHIELD	15	15	D3	SHIELD
LEFT MIC	16	16	D4	CENTER
LEFT MIC SHIELD	45	45	D4	SHIELD
RIGHT MIC	17	17	D5	CENTER
RIGHT MIC SHIELD	44	44	D5	SHIELD
+12 VDC	4	4	E1	-
+12 VDC	5	5	E2	-
+12 VDC	10	10	E3	-
+12 VDC	11	11	E4	-
GND	7	7	E5	-
GND	8	8	E6	-
GND	48	48	E7	-
GND	58	58	E8	-
Rx	1	1	E9	-
Tx	2	2	E10	-
IR	3	3	E11	-
GND	SHELL	SHELL	B	-



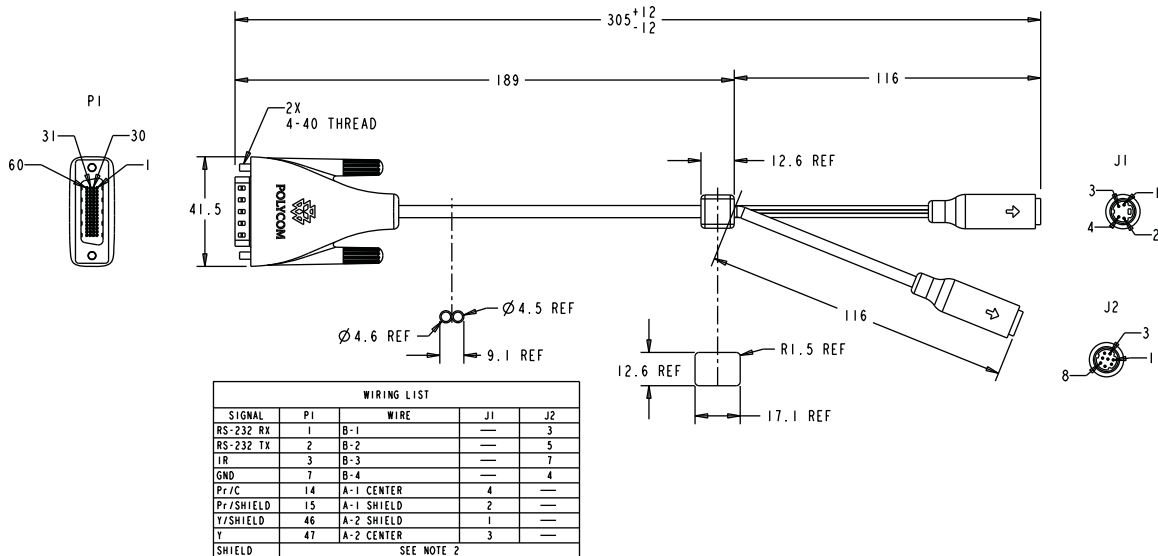
Drawings and part numbers are provided for reference only. Polycom claims no responsibility or liability for the quality, performance, or reliability of cables based on these reference drawings, other than cables provided by Polycom. Contact your Polycom distributor or Polycom Custom/Vertical Products to order cables that meet the appropriate manufacturing tolerances, quality, and performance parameters for your application.

HDCI Sony VISCA Adapter Cable



This cable connects a Polycom HDX system HDCI video input to a camera using Sony 8-pin mini-DIN VISCA and S-Video. It is HDCI to 8-pin mini-DIN and S-Video. Standard S-Video and Sony VISCA cables are required to connect this cable to the camera. The VISCA cable is a straight-through male 8-pin mini-DIN to male 8-pin mini-DIN serial cable.

Length	Part Number	RoHS Compliant
1 ft (0.3 m)	2457-23549-001	Yes



Drawings and part numbers are provided for reference only. Polycom claims no responsibility or liability for the quality, performance, or reliability of cables based on these reference drawings, other than cables provided by Polycom. Contact your Polycom distributor or Polycom Custom/Vertical Products to order cables that meet the appropriate manufacturing tolerances, quality, and performance parameters for your application.

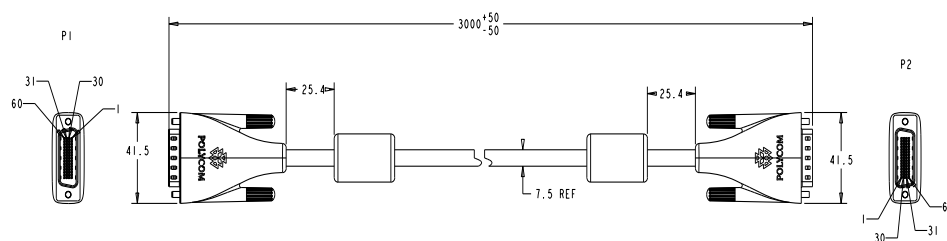
HDCI Polycom EagleEye View Camera Cable



This cable connects a Polycom HDX system HDCI video input to a Polycom EagleEye View camera. It has male HDCI connectors on both ends.

The over-mold connectors of the 2457-09729-001 cable are brown.

Length	Part Number	RoHS Compliant
1.5 ft (457 mm)	2457-09729-001	Yes
9 ft 10 in (3 m)	2457-29759-001	Yes
33 ft (10 m)	2457-29759-010	Yes

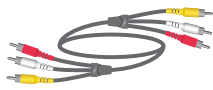


WIRING LIST				
SIGNAL NAME	P1 PIN#	P2 PIN#	CABLE UNIT	CONDUCTOR
Y	47	47	D1	CENTER
Y SHIELD	46	46	D1	SHIELD
Pb	13	13	D2	CENTER
Pb SHIELD	12	12	D2	SHIELD
Pr	14	14	D3	CENTER
Pr SHIELD	15	15	D3	SHIELD
LEFT MIC	16	16	D4	CENTER
LEFT MIC SHIELD	45	45	D4	SHIELD
RIGHT MIC	17	17	D5	CENTER
RIGHT MIC SHIELD	44	44	D5	SHIELD
+12 VDC	4	4	E1	-
+12 VDC	5	5	E2	-
+12 VDC	10	10	E3	-
+12 VDC	11	11	E4	-
GND	7	7	E5	-
GND	8	8	E6	-
GND	48	48	E7	-
GND	58	58	E8	-
Rx	1	1	E9	-
Tx	2	2	E10	-
IR	3	3	E11	-
GND	SHELL	SHELL	B	-



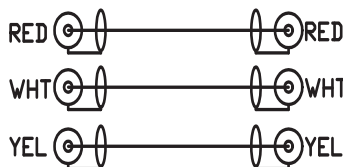
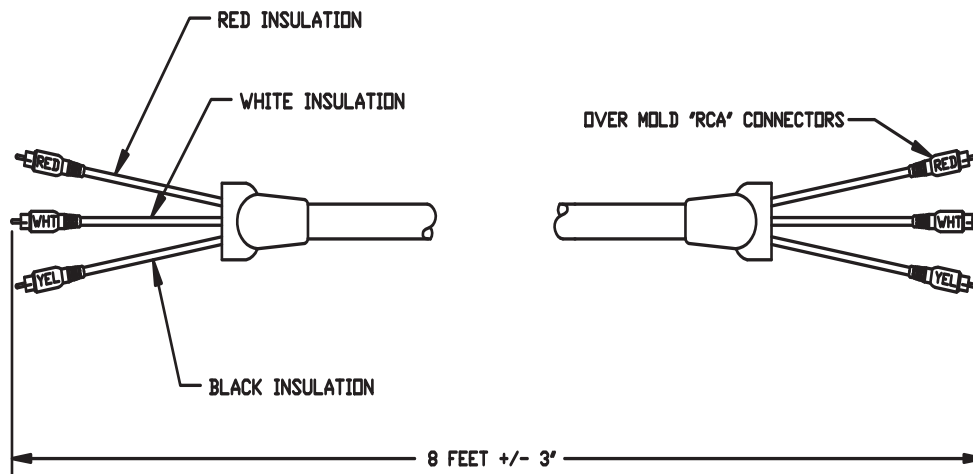
Drawings and part numbers are provided for reference only. Polycom claims no responsibility or liability for the quality, performance, or reliability of cables based on these reference drawings, other than cables provided by Polycom. Contact your Polycom distributor or Polycom Custom/Vertical Products to order cables that meet the appropriate manufacturing tolerances, quality, and performance parameters for your application.

VCR/DVD Composite Cable



This cable connects a Polycom HDX system to a VCR or DVD player. It has triple RCA connectors on both ends. The Polycom HDX system requires a female RCA to male BNC adapter for the yellow video RCA connector, and the [Audio Adapter Cable](#) on page 2-56. The maximum approved length for this cable is 50 ft (15 m).

Length	Part Number	RoHS Compliant
8 ft (2.6 m)	2457-08412-001	—



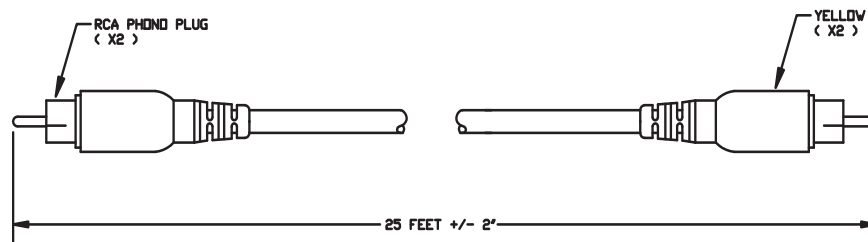
Drawings and part numbers are provided for reference only. Polycom claims no responsibility or liability for the quality, performance, or reliability of cables based on these reference drawings, other than cables provided by Polycom. Contact your Polycom distributor or Polycom Custom/Vertical Products to order cables that meet the appropriate manufacturing tolerances, quality, and performance parameters for your application.

Composite Video Cable



This cable connects a Polycom HDX system to a monitor or camera. It has single yellow RCA connectors on both ends. The Polycom HDX system requires a female RCA to male BNC adapter in order to connect to composite input or output. The maximum approved length for this cable is 100 ft (30 m).

Length	Part Number	RoHS Compliant
25 ft (7.6 m)	2457-09207-001	—



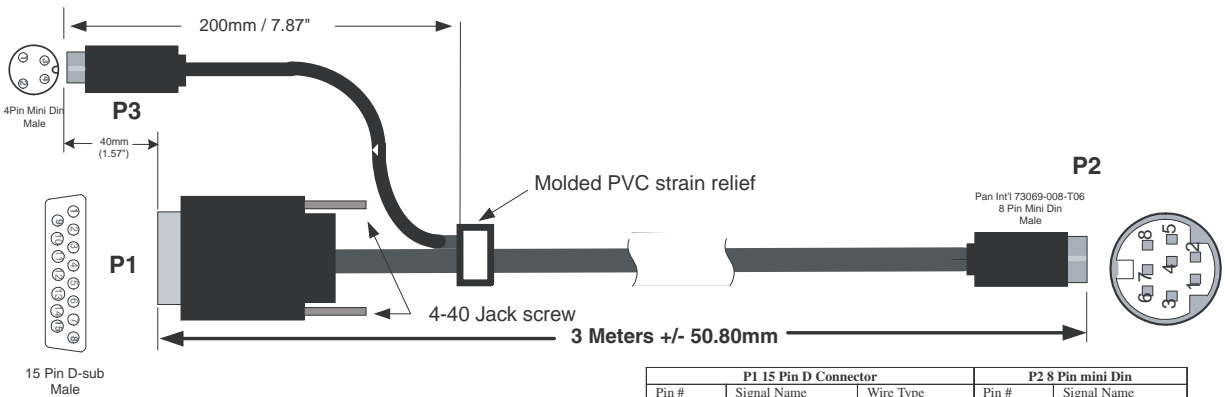
Drawings and part numbers are provided for reference only. Polycom claims no responsibility or liability for the quality, performance, or reliability of cables based on these reference drawings, other than cables provided by Polycom. Contact your Polycom distributor or Polycom Custom/Vertical Products to order cables that meet the appropriate manufacturing tolerances, quality, and performance parameters for your application.

PowerCam Primary Camera Cable



This cable connects the Polycom HDX system video input 1 to a Polycom PowerCam camera up to 10 ft away when used with the [HDCI PowerCam Plus Adapter Cable](#) on page 2-31. It is 8-pin mini-DIN to 4-pin mini-DIN and DB-15. The maximum approved length for this cable is 10 ft (3 m).

Length	Part Number	RoHS Compliant
9 ft 10 in (3 m)	1457-50338-002	Yes



P1 15 Pin D Connector			P2 8 Pin mini Din	
Pin #	Signal Name	Wire Type	Pin #	Signal Name
1-4	N/C			
5	PGND	22AWG wire	3	DGND
6	+12V	22 AWG wire	7	+12V
7	SW-RX/SN-TX	30 AWG wire	2	SW-RX/SN-TX
8	IR-SIGNAL	30 AWG wire	4	IR SIGNAL
9-11	N/C			
12	P GND	22 AWG wire	3	DGND
13	+12V	22 AWG wire	7	+12V
14	SW-TX/SN-RX	30 AWG wire	1	SW-TX/SN-RX
15	IR RETURN	30 AWG wire	3	DGND
	SHIELD	DRAIN wire		SHIELD
P3 4 Pin Mini Din				
1	RTN	Coax Shield	5	GVID
2	RTN	Coax Shield	5	GVID
3	Luma	Micro Coax	6	Luma
4	Chroma	Micro Coax	8	Chroma
	SHIELD	DRAIN wire		SHIELD



Drawings and part numbers are provided for reference only. Polycom claims no responsibility or liability for the quality, performance, or reliability of cables based on these reference drawings, other than cables provided by Polycom. Contact your Polycom distributor or Polycom Custom/Vertical Products to order cables that meet the appropriate manufacturing tolerances, quality, and performance parameters for your application.

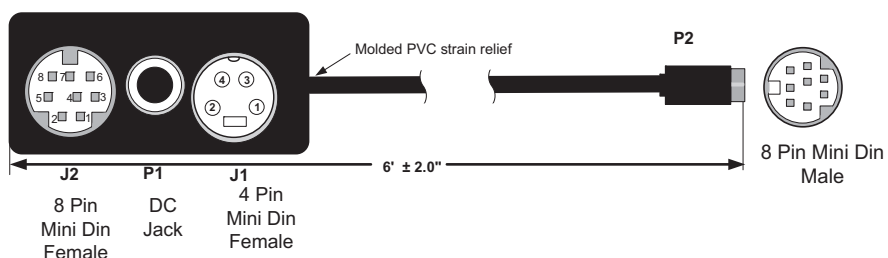
PowerCam Break-Out Cable



This cable connects S-Video and control cables and a power supply to a Polycom PowerCam camera. This combination is required when using the PowerCam as the primary camera more than 10 ft away from the system, or as the secondary camera. It is 8-pin mini-DIN to 3-way breakout block.

A separate power supply is required (part number 1465-52621-036).

Length	Part Number	RoHS Compliant
6 ft (1.8 m)	2457-50526-200	Yes



CONNECTION TABLE				
Signal Name	P1	P2	J1	J2
TXD	—	1	—	5
RXD	—	2	—	3
DGND	1	3	—	6 & 4
IR-SIGNAL	—	4	—	7
CHROMAR	—	5	1	—
LUMAR	—	5	2	—
LUMA (Y)	—	6	3	—
+12V	2	7	—	—
CHROMA (C)	—	8	4	—
SHIELD	—	Shield	—	Shield



Drawings and part numbers are provided for reference only. Polycom claims no responsibility or liability for the quality, performance, or reliability of cables based on these reference drawings, other than cables provided by Polycom. Contact your Polycom distributor or Polycom Custom/Vertical Products to order cables that meet the appropriate manufacturing tolerances, quality, and performance parameters for your application.

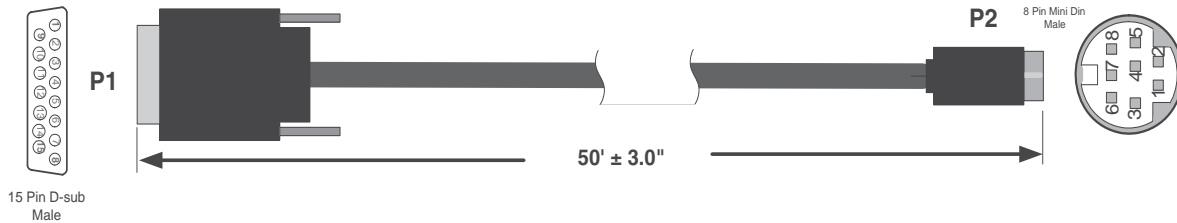
PowerCam Plus/VISCA Control Cable

8-pin mini-DIN to DB-15



This cable adapts the 8-pin mini-DIN VISCA control interface to the PowerCam Plus DB-15 control interface. It is used with the PowerCam Break-Out cable and the HDCI PowerCam Plus adapter cable. It is 8-pin mini-DIN to DB-15.

Length	Part Number	RoHS Compliant
50 ft (15 m)	1457-50527-201	Yes

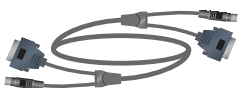


P1 15 Pin D Connector		P2 VISCA 8 Pin mini Din	
Pin #	Signal Name	Pin #	Signal Name
1-6, 9-11, 13	NC	1, 2, 8	NC
7	SW-RX/SN-TX	3	SW-RX/SN-TX
8	IR-SIGNAL	7	IR OUT
12	P GND	4	GND
14	SW-TX/SN-RX	5	SW-TX/SN-RX
15	IR RETURN	6	GND
SHIELD		SHIELD	



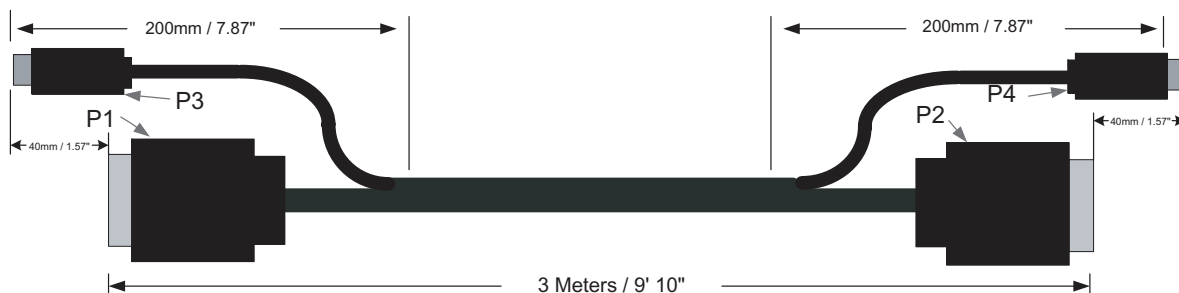
Drawings and part numbers are provided for reference only. Polycom claims no responsibility or liability for the quality, performance, or reliability of cables based on these reference drawings, other than cables provided by Polycom. Contact your Polycom distributor or Polycom Custom/Vertical Products to order cables that meet the appropriate manufacturing tolerances, quality, and performance parameters for your application.

PowerCam Plus Primary Cable



This cable connects a Polycom HDX system to a Polycom PowerCam Plus camera using the [HDCI PowerCam Plus Adapter Cable](#) on page 2-31. It has 4-pin mini-DIN and DB-15 connectors on both ends.

Length	Part Number	RoHS Compliant
9 ft 10 in (3 m)	1457-50105-002	Yes
30 ft (9 m)	1457-50105-230	Yes
50 ft (15 m)	1457-50105-250	Yes
100 ft (30 m)	1457-50105-300	Yes
150 ft (45 m)	1457-50105-350	Yes



Front View of Connector



P1 Connector		P2 Connector	
Pin #	Signal Name	Pin #	Signal Name
1	Arm Mic	1	Arm Mic
2	Left Mic	2	Left Mic
3	A.GND	3	A.GND
4	Cam ID Bit	4	Cam ID Bit
5	P.GND	5	P.GND
6	+12V	6	+12V
7	SW-RX/SN-TX	7	SW-RX/SN-TX
8	IR signal	8	IR signal
9	Center Mic	9	Center Mic
10	Right Mic	10	Right Mic
11	A.GND	11	A.GND
12	P.GND	12	P.GND
13	+12V	13	+12V
14	SW-TX/SN-RX	14	SW-TX/SN-RX
15	IR return	15	IR return
P3 4 Pin mini Din		P4 4 Pin mini Din	
1	A.GND	1	A.GND
2	A.GND	2	A.GND
3	Luma	3	Luma
4	Chroma	4	Chroma



Front View of Connector



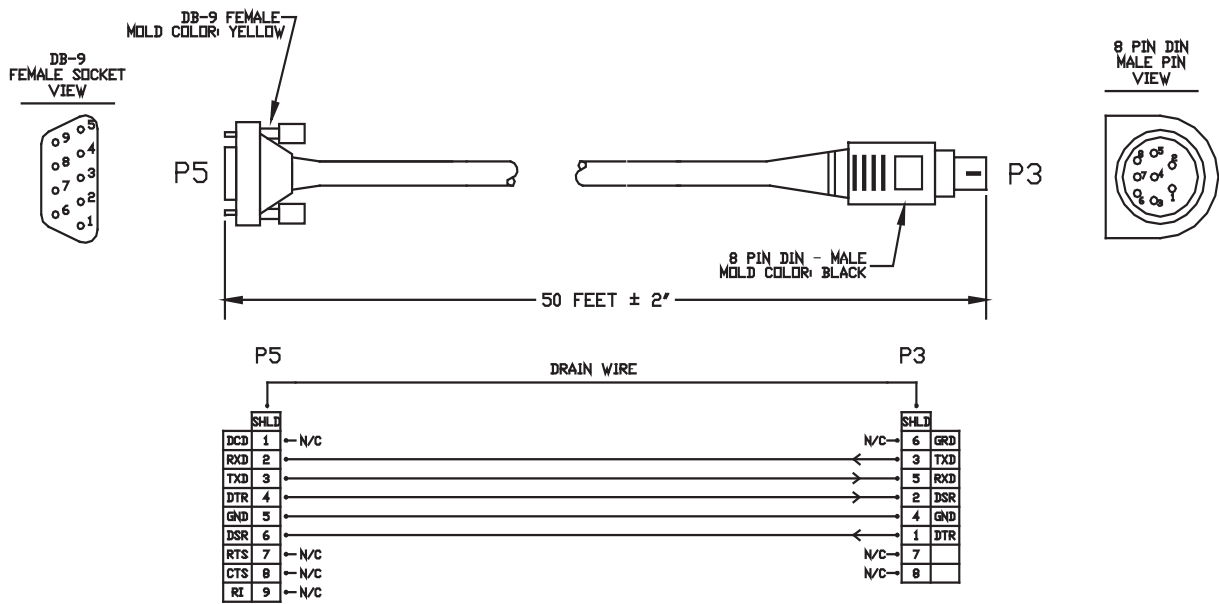
Drawings and part numbers are provided for reference only. Polycom claims no responsibility or liability for the quality, performance, or reliability of cables based on these reference drawings, other than cables provided by Polycom. Contact your Polycom distributor or Polycom Custom/Vertical Products to order cables that meet the appropriate manufacturing tolerances, quality, and performance parameters for your application.

8-pin mini-DIN to DB-9



This cable connects Polycom HDX system serial port inputs to a non-Polycom camera using a VISCA 8-pin DIN connector, or to a Polycom PowerCam break-out cable with a PowerCam camera. It is 8-pin mini-DIN to DB-9. RTS/CTS and IR are not supported on this cable.

Length	Part Number	RoHS Compliant
50 ft (15 m)	2457-10029-200	Yes



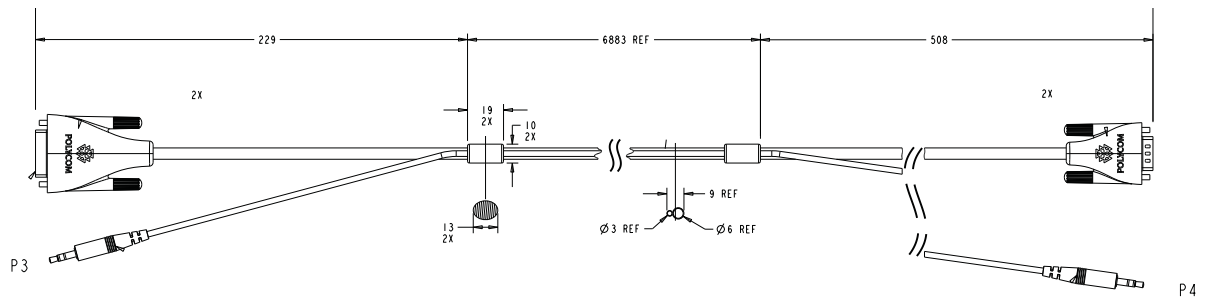
Drawings and part numbers are provided for reference only. Polycom claims no responsibility or liability for the quality, performance, or reliability of cables based on these reference drawings, other than cables provided by Polycom. Contact your Polycom distributor or Polycom Custom/Vertical Products to order cables that meet the appropriate manufacturing tolerances, quality, and performance parameters for your application.

People+Content Cable



This cable connects a PC with VGA and 3.5mm stereo audio output to the DVI and 3.5 mm audio input of the HDX system.

Length	Part Number	RoHS Compliant
25 ft (7.62 m)	2457-28665-001	Yes



WIRING LIST				
SIGNAL	P1	P2	CABLE UNIT	CONDUCTOR
RED	C1	1	D1	CENTER
GREEN	C2	2	D2	CENTER
BLUE	C3	3	D3	CENTER
H-SYNC	C4	13	E1	-
GROUND-RED	C5	6	D1	SHIELD
GROUND-GREEN		7	D2	SHIELD
GROUND-BLUE		8	D3	SHIELD
DDC-SCL	6	15	E2	-
DDC-SDA	7	12	E3	-
V-SYNC	8	14	E4	-
+5V DC	14	9	E5	-
	16			
GROUND	15	5	E6	-
		10		
SHIELD	SHELL	SHELL	B.C	-
SIGNAL	P3	P4	CABLE UNIT	CONDUCTOR
LEFT	TIP	TIP	G	TIP
RIGHT	RING	RING	G	RING
GROUND	SLEEVE	SLEEVE	F	-



Drawings and part numbers are provided for reference only. Polycom claims no responsibility or liability for the quality, performance, or reliability of cables based on these reference drawings, other than cables provided by Polycom. Contact your Polycom distributor or Polycom Custom/Vertical Products to order cables that meet the appropriate manufacturing tolerances, quality, and performance parameters for your application.

Audio Cables

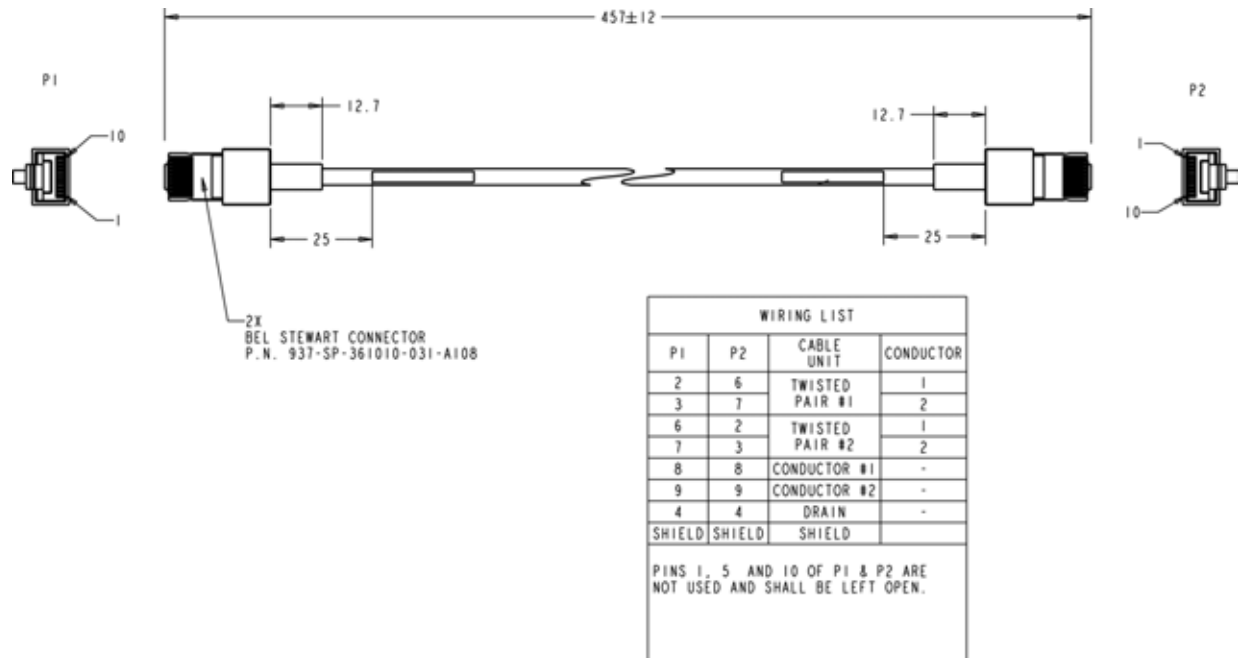
Polycom HDX Microphone Array Host Cable

For more information about supported microphone configurations, refer to the *Administrator's Guide for Polycom HDX Systems*.



This cable connects a Polycom HDX system to the Polycom SoundStructure C-Series mixer. It is unkeyed male RJ-45 on both ends.

Length	Part Number	RoHS Compliant
18 in (0.5 m)	2457-23574-001	Yes





When connecting two Polycom HDX microphone array host devices, a crossover cable is required. To build a custom crossover cable for this purpose, you should use shielded CAT5 or better cable. Each end of the custom cable should have a shielded RJ-45 plug connector that connects to a Polycom HDX microphone array host device. The maximum supported cable length is 100 feet.

Due to differing use of the twisted pairs within the cable, the pinout for this custom CAT5 crossover cable is not the same as the pinout that is used for standard Ethernet cables. Do not use standard Ethernet cables. Instead, for best cable performance, refer to the following pinout information to create this custom CAT5 crossover cable.

COLOR	AWG	P1		P2
WHITE/GREEN	24	1		1
GREEN	24	2		2
WHITE/ORANGE	24	5		5
ORANGE	24	6		6
WHITE/BROWN	24	7		7
BROWN	24	8		8
DRAIN WIRE		3		3
SHIELD		SHELL		SHELL

P1 - RJ-45 shielded Keystone jack, L-com RJ110C5-S or equivalent OR

P1 - RJ-45 shielded plug, Tyco 5-569552 or equivalent with shielded

RJ-45 panel coupler kit (L-com ECF504-SC5E or equivalent)

P2- RJ-45 shielded plug, Tyco 5-569552 or equivalent



Drawings and part numbers are provided for reference only. Polycom claims no responsibility or liability for the quality, performance, or reliability of cables based on these reference drawings, other than cables provided by Polycom. Contact your Polycom distributor or Polycom Custom/Vertical Products to order cables that meet the appropriate manufacturing tolerances, quality, and performance parameters for your application.

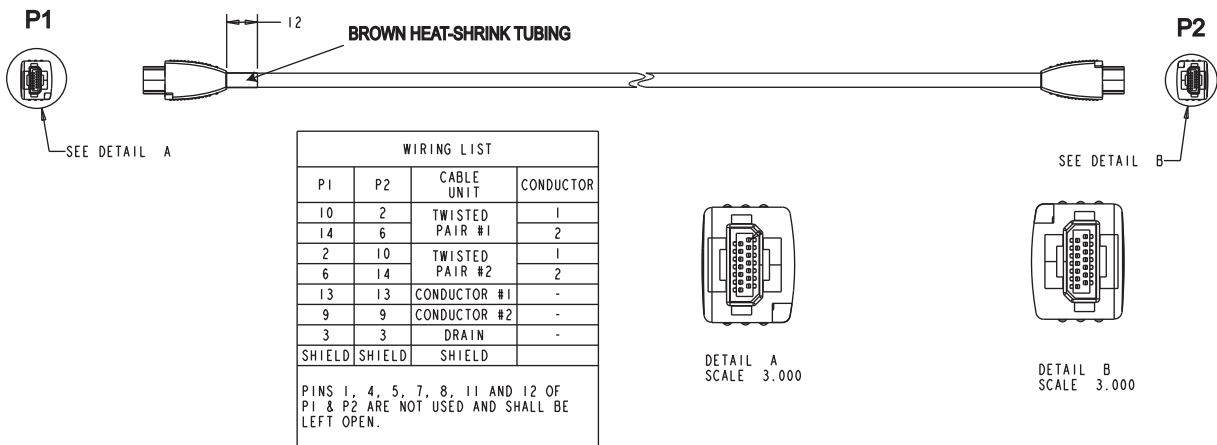
Polycom HDX Microphone Array Cable

For more information about supported microphone configurations, refer to the *Administrator's Guide for Polycom HDX Systems*.



This cable connects two Polycom HDX microphone arrays. This cable can also be used with the [Polycom HDX Microphone Array Cable Adapter](#) on page 2-49 to connect a Polycom HDX system to a Polycom HDX microphone array or to a SoundStation IP 7000 phone. It has male Walta connectors on both ends.

Length	Part Number	RoHS Compliant
15 ft (4.6 m)	2457-23215-001	Yes
25 ft (7.6 m)	2457-23216-001	Yes



Drawings and part numbers are provided for reference only. Polycom claims no responsibility or liability for the quality, performance, or reliability of cables based on these reference drawings, other than cables provided by Polycom. Contact your Polycom distributor or Polycom Custom/Vertical Products to order cables that meet the appropriate manufacturing tolerances, quality, and performance parameters for your application.

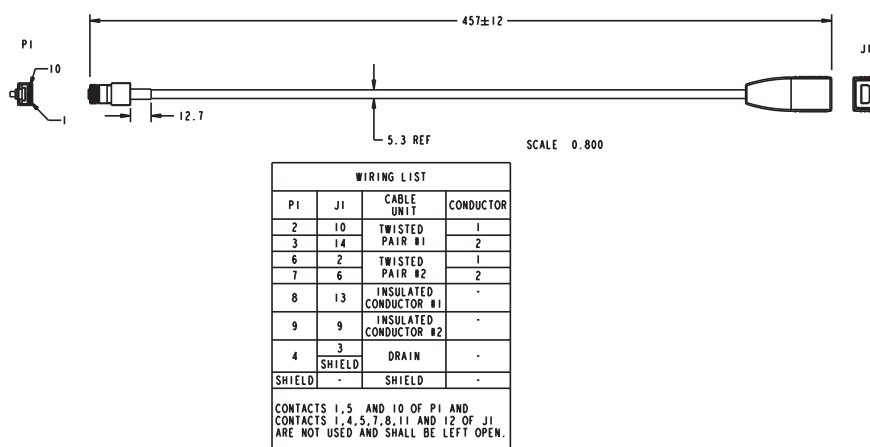
Polycom HDX Microphone Array Cable Adapter

For more information about supported microphone cable configurations, refer to the *Administrator's Guide for Polycom HDX Systems*.

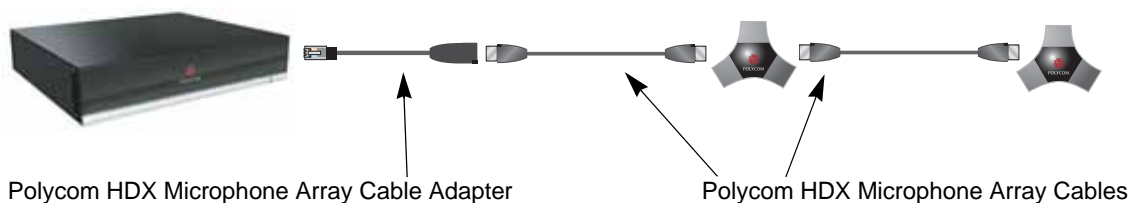


This cable adapts the [Polycom HDX Microphone Array Cable](#) on page 2-48 for use with the Polycom HDX 9000 Series system and the SoundStructure C-Series mixer. It is male RJ-45 to female Walta.

Length	Part Number	RoHS Compliant
18 in (0.5 m)	2457-23716-001	Yes



The following diagram shows microphone connection options for Polycom HDX 9000 Series systems, using cables available from Polycom.



Do not connect Polycom microphone cables or devices to the Ethernet port, and do not connect an Ethernet cable or device to the Polycom microphone input.



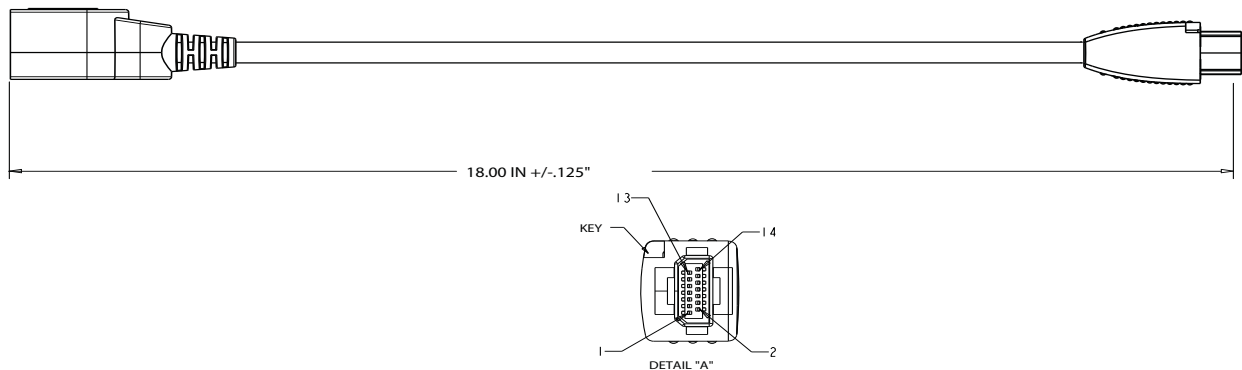
Drawings and part numbers are provided for reference only. Polycom claims no responsibility or liability for the quality, performance, or reliability of cables based on these reference drawings, other than cables provided by Polycom. Contact your Polycom distributor or Polycom Custom/Vertical Products to order cables that meet the appropriate manufacturing tolerances, quality, and performance parameters for your application.

Polycom HDX Ceiling Microphone Adaptor Cable



This cable connects a Polycom HDX system to the Polycom microphone array. It is male Walta to RJ-45.

Length	Part Number	RoHS Compliant
18 in (0.5 m)	2457-25646-001	Yes



Drawings and part numbers are provided for reference only. Polycom claims no responsibility or liability for the quality, performance, or reliability of cables based on these reference drawings, other than cables provided by Polycom. Contact your Polycom distributor or Polycom Custom/Vertical Products to order cables that meet the appropriate manufacturing tolerances, quality, and performance parameters for your application.

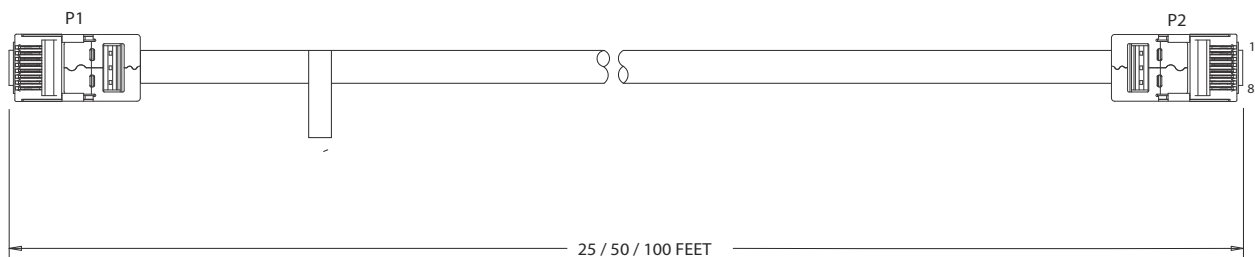
Polycom HDX Microphone Array Crossover Cable

For more information about supported microphone configurations, refer to the *Administrator's Guide for Polycom HDX Systems*.



This cable connects any two Polycom HDX microphone arrays that use RJ-45 sockets.

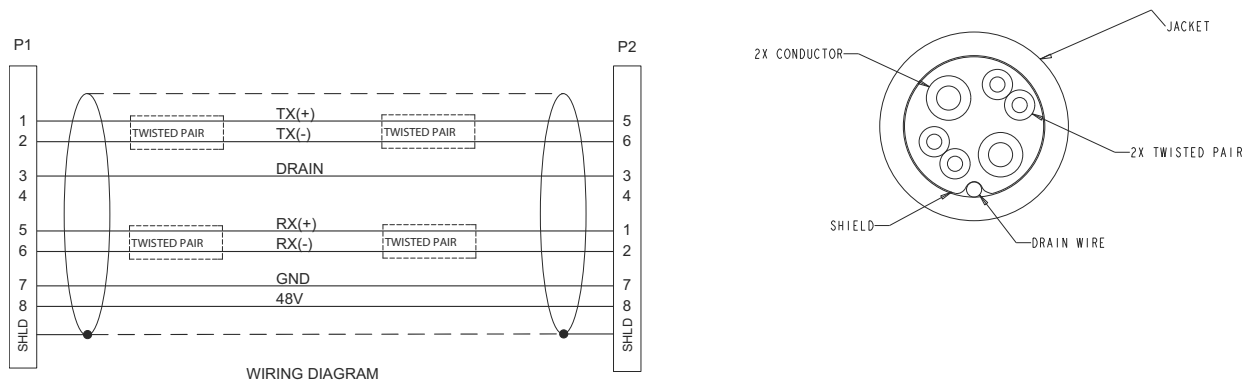
Length	Part Number	RoHS Compliant
25 ft (7.6 m)	2457-24009-001	Yes
50 ft (15 m)	2457-24008-001	Yes
100 ft (30 m)	2457-63015-001	Yes



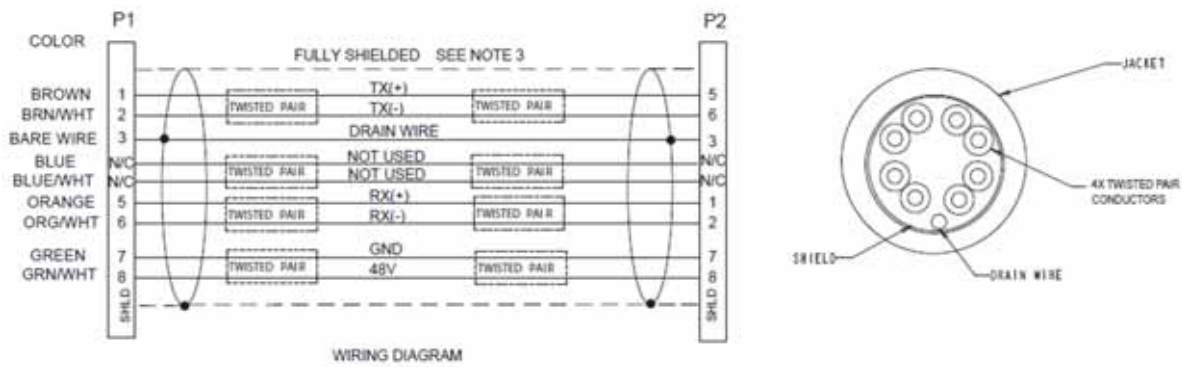
When connecting two Polycom HDX microphone array host devices, a crossover cable is required. To build a custom crossover cable for this purpose, you should use shielded CAT5 or better cable. Each end of the custom cable should have a shielded RJ-45 plug connector that connects to a Polycom HDX microphone array host device. The maximum supported cable length is 100 feet.

Due to differing use of the twisted pairs within the cable, the pinout for this custom CAT5 crossover cable is not the same as the pinout that is used for standard Ethernet cables. Do not use standard Ethernet cables. Instead, for best cable performance, refer to the following pinout information to create this custom CAT5 crossover cable.

The following figure describes features of the 25- and 50-foot cable.



The following figure describes features of the 100-foot cable.



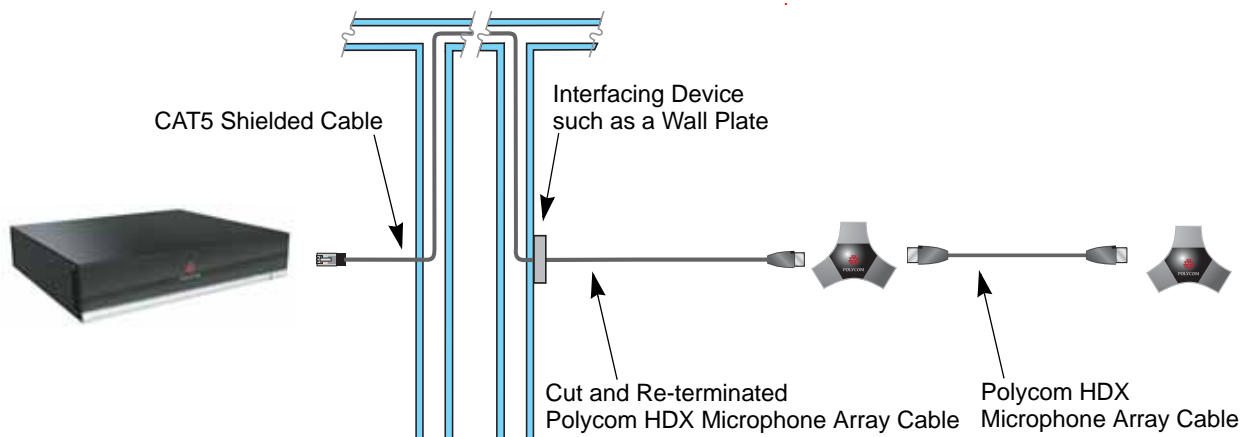
Drawings and part numbers are provided for reference only. Polycom claims no responsibility or liability for the quality, performance, or reliability of cables based on these reference drawings, other than cables provided by Polycom. Contact your Polycom distributor or Polycom Custom/Vertical Products to order cables that meet the appropriate manufacturing tolerances, quality, and performance parameters for your application.

Custom Cabling for Polycom HDX Microphone Arrays

You can create a custom-length cable that connects a Polycom HDX system to a Polycom HDX microphone array or SoundStation IP 7000 phone. Start with the microphone cable (part number 2457-23216-001), and cut off the P1 end. Using the wiring tables shown, create a custom cable from the microphone to a wall plate or other interfacing device. Next, from the wall plate or other interfacing device, run shielded CAT5 or better cable to the Polycom HDX system, terminating with a shielded RJ-45 plug connector.

The total length from the Polycom HDX system to the first Polycom microphone array or SoundStation IP 7000 phone can vary between 18 in and 100 ft. The maximum length between subsequent microphone arrays is 25 ft.

The following diagram shows an example of longer custom cabling from a Polycom HDX system to a Polycom microphone array or a Polycom SoundStation IP 7000 Phone.



The following steps explain how to wire this custom cable configuration.

- 1 Identify the P1 connector on the Polycom HDX microphone cable according to the location of the brown heat-shrink tubing as shown on [page 2-48](#). Remove the P1 connector and skip to step 4. Note that two separate vendors manufacture these cables, which are electrically equivalent but have different color coding. If you cannot identify the P1 connector, remove either connector from the cable and continue with step 2.

The following tables show the color coding for the cable wiring.

VENDOR 1				
COLOR	AWG	P1		P2
RED	28	10		2
ORANGE	28	14		6
YELLOW	28	2		10
GREEN	28	6		14
WHITE	24	13		13
BLACK	24	9		9
DRAIN WIRE		3		3
SHIELD		SHELL		SHELL

P1, P2 - Walta Electronics, M30-558-0051

VENDOR 2				
COLOR	AWG	P1		P2
BLUE	28	10		2
YELLOW	28	14		6
ORANGE	28	2		10
GREEN	28	6		14
BLACK	24	13		13
WHITE	24	9		9
DRAIN WIRE		3		3
SHIELD		SHELL		SHELL

P1, P2 - Walta Electronics, M30-558-0051

- 2** If you are not sure which connector you need to cut off, use the following tables to perform a continuity check between the connector and the cable colors. If you cut off P1, skip to step 4. If you cut off P2, continue with step 3.

VENDOR 1, P1

COLOR	AWG	P1
RED	28	10
ORANGE	28	14
YELLOW	28	2
GREEN	28	6
WHITE	24	13
BLACK	24	9
DRAIN WIRE		3
SHIELD		SHELL

P1 - Walta Electronics, M30-558-0051

VENDOR 2, P1

COLOR	AWG	P1
BLUE	28	10
YELLOW	28	14
ORANGE	28	2
GREEN	28	6
BLACK	24	13
WHITE	24	9
DRAIN WIRE		3
SHIELD		SHELL

P1 - Walta Electronics, M30-558-0051

VENDOR 1, P2

COLOR	AWG	P2
RED	28	2
ORANGE	28	6
YELLOW	28	10
GREEN	28	14
WHITE	24	13
BLACK	24	9
DRAIN WIRE		3
SHIELD		SHELL

P2 - Walta Electronics, M30-558-0051

VENDOR 2, P2

COLOR	AWG	P2
BLUE	28	2
YELLOW	28	6
ORANGE	28	10
GREEN	28	14
BLACK	24	13
WHITE	24	9
DRAIN WIRE		3
SHIELD		SHELL

P2 - Walta Electronics, M30-558-0051

- 3** If you cut off P2, re-terminate the cable with a shielded RJ-45 connector using the following tables, then skip to step 5.

VENDOR 1, P1

COLOR	AWG	P1	P2
RED	28	10	5
ORANGE	28	14	6
YELLOW	28	2	1
GREEN	28	6	2
WHITE	24	13	7
BLACK	24	9	8
DRAIN WIRE		3	3
SHIELD		SHELL	SHELL

P1 - Walta Electronics, M30-558-0051
P2 - RJ-45 shielded plug, Tyco 5-569552 or equivalent

VENDOR 2, P1

COLOR	AWG	P1	P2
BLUE	28	10	5
YELLOW	28	14	6
ORANGE	28	2	1
GREEN	28	6	2
BLACK	24	13	7
WHITE	24	9	8
DRAIN WIRE		3	3
SHIELD		SHELL	SHELL

P1 - Walta Electronics, M30-558-0051
P2 - RJ-45 shielded plug, Tyco 5-569552 or equivalent

- 4** If you cut off P1, re-terminate the cable with an RJ-45 8-pin plug using the following tables, then continue with step 5.

VENDOR 1

COLOR	AWG	P1	P2
RED	28	1	2
ORANGE	28	2	6
YELLOW	28	5	10
GREEN	28	6	14
WHITE	24	7	13
BLACK	24	8	9
DRAIN WIRE		3	3
SHIELD		SHELL	SHELL

P1 - RJ-45 shielded plug, Tyco 5-569552 or equivalent
P2 - Walta Electronics, M30-558-0051

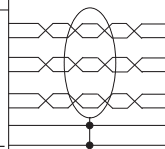
VENDOR 2

COLOR	AWG	P1	P2
BLUE	28	1	2
YELLOW	28	2	6
ORANGE	28	5	10
GREEN	28	6	14
BLACK	24	7	13
WHITE	24	8	9
DRAIN WIRE		3	3
SHIELD		SHELL	SHELL

P1 - RJ-45 shielded plug, Tyco 5-569552 or equivalent
P2 - Walta Electronics, M30-558-0051

- 5** Whether you re-terminated the P1 or P2 end of the cable, at this point the cable can be connected directly to the system and to the first microphone. If it is necessary to install an extension to the system's RJ-45 connection on a wall plate or panel, create a custom pinout cable using shielded CAT5 cable. The cable is terminated on one end to either a shielded CAT5

keystone jack or, if using a shielded panel coupler, a shielded RJ-45 plug connector. The other end terminates to a shielded RJ-45 plug that connects to the Polycom HDX system.

COLOR	AWG	P1		P2
WHITE/GREEN	24	1		1
GREEN	24	2		2
WHITE/ORANGE	24	5		5
ORANGE	24	6		6
WHITE/BROWN	24	7		7
BROWN	24	8		8
DRAIN WIRE	3	3		3
SHIELD		SHELL		SHELL

P1 - RJ-45 shielded Keystone jack, L-com RJ110C5-S or equivalent OR

P1 - RJ-45 shielded plug, Tyco 5-569552 or equivalent with shielded RJ-45 panel coupler kit (L-com ECF504-SC5E or equivalent)

P2 - RJ-45 shielded plug, Tyco 5-569552 or equivalent



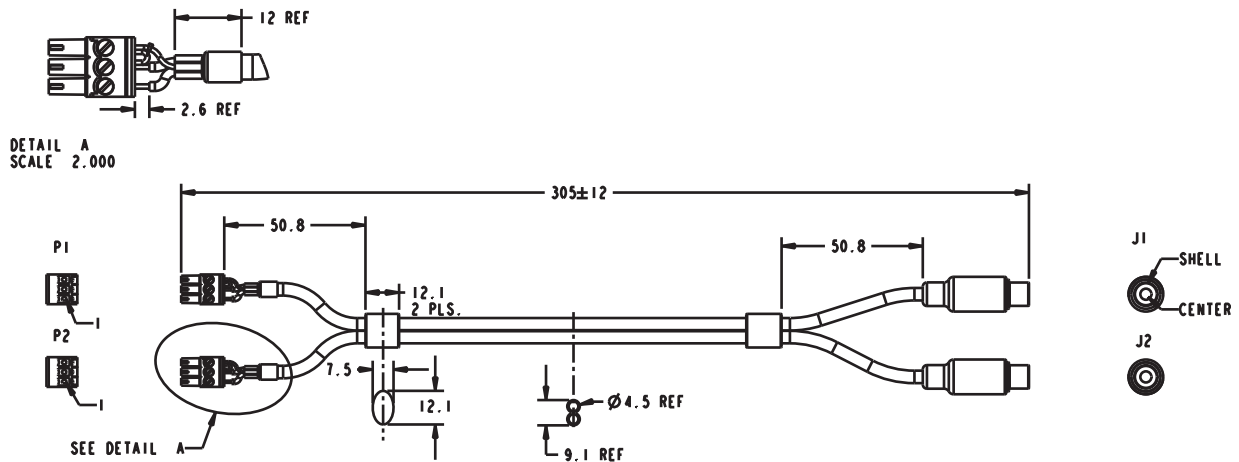
The Polycom RJ-45 connector pinout is custom. For best performance, follow the wiring tables shown in this document. If standard Ethernet cables are used, signal integrity cannot be guaranteed and degraded performance may occur, especially at longer lengths.

Audio Adapter Cable



This cable adapts the Polycom HDX system Phoenix audio connectors to standard RCA audio cables, such as the [Audio Cable](#) on page 2-57. It is dual male Phoenix to dual female RCA connectors (red/white).

Length	Part Number	RoHS Compliant
1 ft (0.3 m)	2457-23492-001	Yes



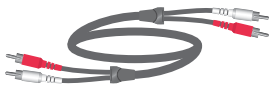
WIRING LIST				
PLUG	CONTACT	CONDUCTOR	CONTACT	JACK
P1	1	A+	CENTER	J1
	2	A-	SHELL	
	3	A DRAIN	—	
P2	1	B+	CENTER	J2
	2	B-	SHELL	
	3	B DRAIN	—	

INSTALL JUMPER BETWEEN CONTACT 2 AND CONTACT 3 OF BOTH P1 & P2 AS SHOWN IN DETAIL "A".



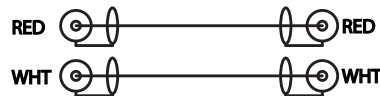
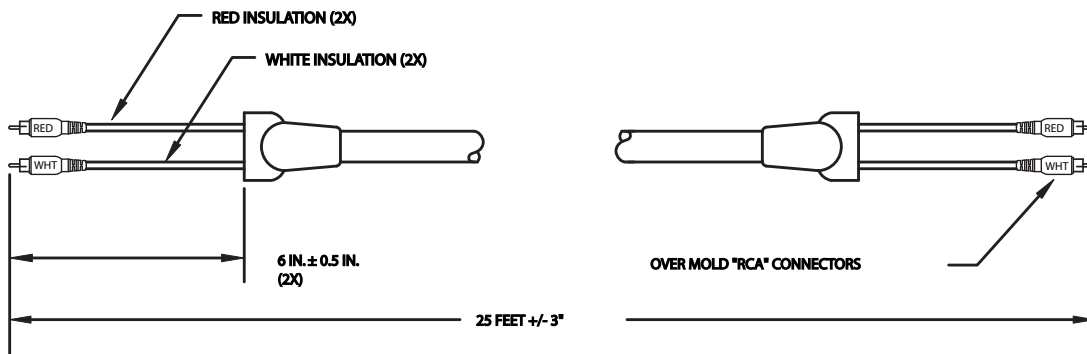
Drawings and part numbers are provided for reference only. Polycom claims no responsibility or liability for the quality, performance, or reliability of cables based on these reference drawings, other than cables provided by Polycom. Contact your Polycom distributor or Polycom Custom/Vertical Products to order cables that meet the appropriate manufacturing tolerances, quality, and performance parameters for your application.

Audio Cable



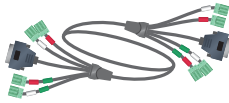
This cable connects a Polycom HDX system to an external audio system. It is used with the [Audio Adapter Cable](#) on page 2-56. It has dual RCA connectors (red/white) on both ends. The maximum approved length for this cable is 100 ft (30 m).

Length	Part Number	RoHS Compliant
25 ft (7.6 m)	2457-09212-002	Yes
9 ft 10 in (3 m)	2457-09212-010	Yes



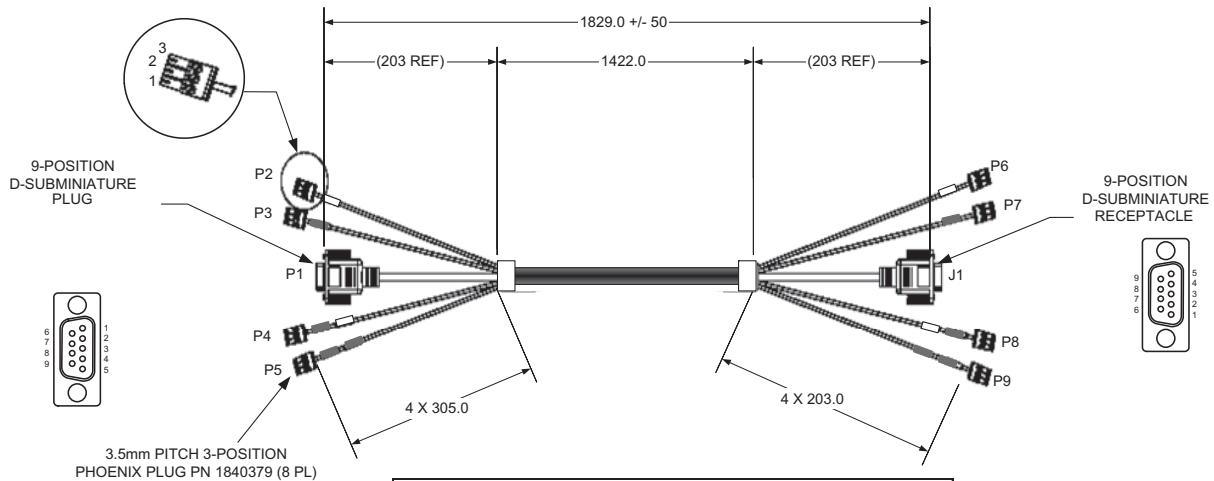
Drawings and part numbers are provided for reference only. Polycom claims no responsibility or liability for the quality, performance, or reliability of cables based on these reference drawings, other than cables provided by Polycom. Contact your Polycom distributor or Polycom Custom/Vertical Products to order cables that meet the appropriate manufacturing tolerances, quality, and performance parameters for your application.

Vortex Cable



This cable connects a Polycom HDX system to a Polycom Vortex mixer. It has four mini-Phoenix connectors and one DB-9 connector on each end.

Length	Part Number	RoHS Compliant
6 ft (1.8 m)	2457-21978-200	Yes



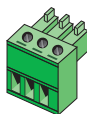
PIN #	Signal
1	Signal +
2	Signal - (return)
3	Shield/drain wire/ground

WIRING CHART			
FROM	TO	WIRE TYPE	WIRE USE
P1-2	J1-2	A	SIGNAL
P1-3	J1-3		SIGNAL
P1-5	J1-5		SIGNAL
P1-7	J1-7		SIGNAL
P1-8	J1-8		SIGNAL
P1-SHELL	J1-SHELL		SHIELD
PINS 1, 4, 6, 9 ARE N/C			N/A
P2-1	P6-1	B	SIGNAL
P2-2	P6-2		SIGNAL
P2-3	P6-3		SHIELD (DRAIN WIRE)
P3-1	P7-1	B	SIGNAL
P3-2	P7-2		SIGNAL
P3-3	P7-3		SHIELD (DRAIN WIRE)
P4-1	P8-1	B	SIGNAL
P4-2	P8-2		SIGNAL
P4-3	P8-3		SHIELD (DRAIN WIRE)
P5-1	P9-1	B	SIGNAL
P5-2	P9-2		SIGNAL
P5-3	P9-3		SHIELD (DRAIN WIRE)



Drawings and part numbers are provided for reference only. Polycom claims no responsibility or liability for the quality, performance, or reliability of cables based on these reference drawings, other than cables provided by Polycom. Contact your Polycom distributor or Polycom Custom/Vertical Products to order cables that meet the appropriate manufacturing tolerances, quality, and performance parameters for your application.

3.5mm Screw Cage Connector



This 3-pin connector connects audio input and output to the Polycom HDX system. It also connects the IR sensor input on a Polycom HDX system to an external IR receiver, such as Xantech models 780-80, 780-90, 480-00, and 490-90.

Length	Part Number	RoHS Compliant
—	1515-41597-001	Yes

Top View



Pinout for audio connector

PIN #	
1	Signal +
2	Signal - (return)
3	Shield/drain wire/ground

Pinout for IR connector

PIN #	
1	+12 V
2	Ground
3	IR signal



Drawings and part numbers are provided for reference only. Polycom claims no responsibility or liability for the quality, performance, or reliability of cables based on these reference drawings, other than cables provided by Polycom. Contact your Polycom distributor or Polycom Custom/Vertical Products to order cables that meet the appropriate manufacturing tolerances, quality, and performance parameters for your application.

The following table shows how to wire this connector for 2-wire connections, Phoenix to RCA.

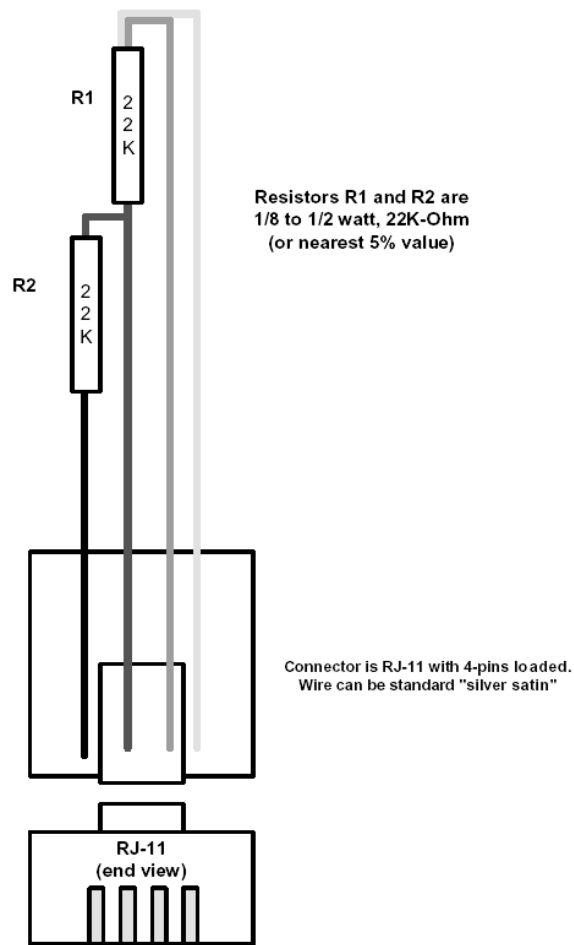
Phoenix Contact	RCA Contact
1	Center
2	Shell
3	—
Install jumper between contact 2 and contact 3 on the Phoenix connector.	

Subwoofer Volume Attenuator



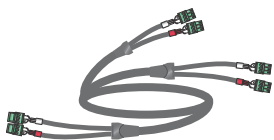
This attenuator plugs into the Volume Control RJ-11 port on the subwoofer that comes with the Polycom stereo speaker kit (2200-21969-120 and 2200-21969-240). The attenuator is required for proper operation of the acoustic echo cancellation. It has an RJ-11 connector.

Length	Part Number	RoHS Compliant
3.5 in (9 cm)	1457-52415-001	—



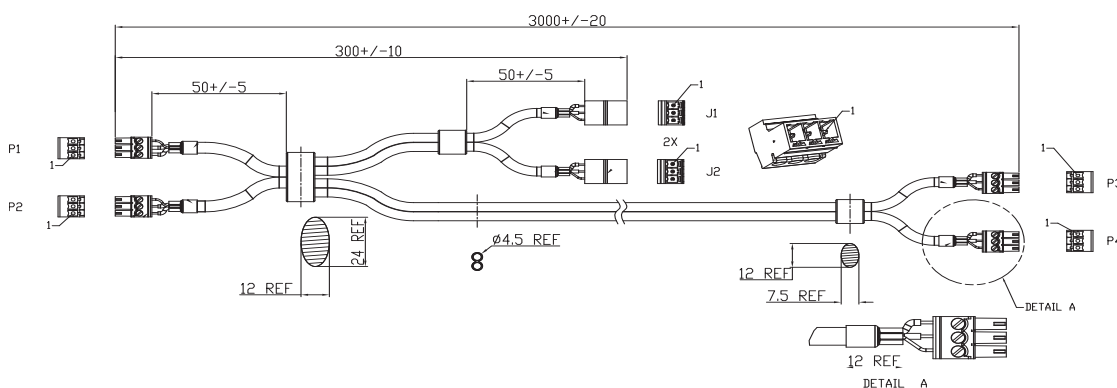
Drawings and part numbers are provided for reference only. Polycom claims no responsibility or liability for the quality, performance, or reliability of cables based on these reference drawings, other than cables provided by Polycom. Contact your Polycom distributor or Polycom Custom/Vertical Products to order cables that meet the appropriate manufacturing tolerances, quality, and performance parameters for your application.

Polycom EagleEye Director Audio Feedback Phoenix to Phoenix Cable



This cable connects a Polycom HDX 9000 series system or Polycom SoundStructure C-Series Mixer to the Polycom EagleEye Director and the room audio playback system. It is dual male Phoenix connectors (for HDX systems or SoundStructure C-Series Mixer) to dual male Phoenix connectors (for the EagleEye Director with dual female Phoenix connectors (for the room audio playback system)).

Length	Part Number	RoHS Compliant
9.10 ft (3 m)	2457-82586-001	Yes



WIRING LIST						
PLUG	CONTACT	CONDUCTOR	JACK	CONTACT	PLUG	CONTACT
P1	1	A+	J1	1	P3	1
	2	A-		2		2
	3	A DRAIN		3		3
P2	1	B+	J2	1	P4	1
	2	B-		2		2
	3	B DRAIN		3		3



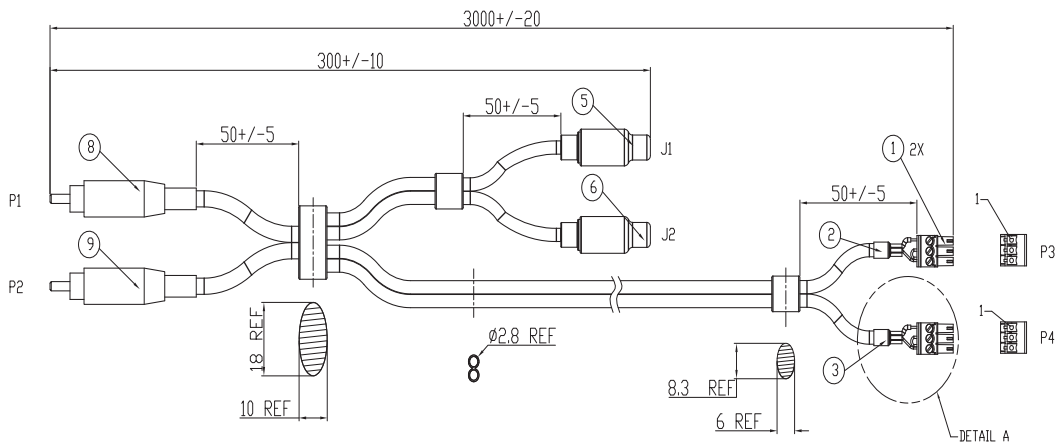
Drawings and part numbers are provided for reference only. Polycom claims no responsibility or liability for the quality, performance, or reliability of cables based on these reference drawings, other than cables provided by Polycom. Contact your Polycom distributor or Polycom Custom/Vertical Products to order cables that meet the appropriate manufacturing tolerances, quality, and performance parameters for your application.

Polycom EagleEye Director Audio Feedback Phoenix to RCA Cable



This cable connects a Polycom HDX 6000, HDX 7000 or HDX 8000 series system or Polycom SoundStructure C-Series Mixer to the Polycom EagleEye Director and the room audio playback system. It is dual male Phoenix connectors (for HDX systems or SoundStructure C-Series Mixer) to dual male RCA connectors (for the EagleEye Director) with dual female RCA connectors (for the room audio playback system).

Length	Part Number	RoHS Compliant
9.10 ft (3 m)	2457-82587-001	Yes



WIRING LIST								
PLUG	CONTACT	CONDUCTOR	PLUG	CONTACT	CONDUCTOR	JACK	CONTACT	CONDUCTOR
P1	1	CENTER	P3	1	A	J1	1	CENTER
	2	SHELL		3	A DRAIN		2	SHELL
	—	—		2	—		—	—
P2	1	CENTER	P4	1	B	J2	1	CENTER
	2	SHELL		3	B DRAIN		2	SHELL
	—	—		2	—		—	—

INSTALL JUMPER BETWEEN CONTACT 2 AND CONTACT 3 OF BOTH P3&P4 AS SHOWN IN DETAIL 'A'



Drawings and part numbers are provided for reference only. Polycom claims no responsibility or liability for the quality, performance, or reliability of cables based on these reference drawings, other than cables provided by Polycom. Contact your Polycom distributor or Polycom Custom/Vertical Products to order cables that meet the appropriate manufacturing tolerances, quality, and performance parameters for your application.

Serial Cables

Straight-Through Serial Cable



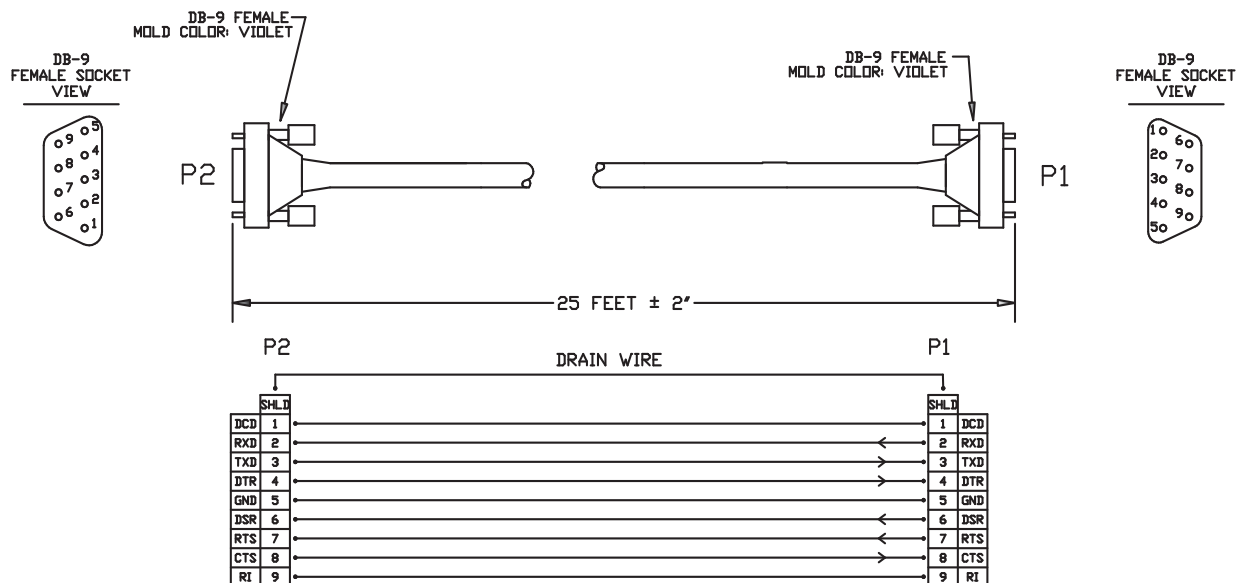
This cable connects a Polycom HDX system to a serial device. It has a DB-9 connector on each end. The maximum approved length for this cable is 100 ft (30 m).



Polycom does not recommend using this straight-through serial cable for RS-232 communication from a computer, Crestron system, or AMX device. Instead, for RS-232 communication, Polycom recommends using a cross-over cable with pin 2 wired to pin 3, pin 3 wired to pin 2, and pin 5 wired to pin 5. The other pins are not used.

If you choose to use this straight-through serial cable for RS-232 communication from a computer or Crestron system, the [Null Modem Adapter](#) on page 2-65 is required. However, the null modem adapter does not work for RS-232 communication from AMX devices and causes problems if you try to use it.

Length	Part Number	RoHS Compliant
25 ft (7.6 m)	2457-09172-001	—





Drawings and part numbers are provided for reference only. Polycom claims no responsibility or liability for the quality, performance, or reliability of cables based on these reference drawings, other than cables provided by Polycom. Contact your Polycom distributor or Polycom Custom/Vertical Products to order cables that meet the appropriate manufacturing tolerances, quality, and performance parameters for your application.

The DB-9 male connector on the Polycom HDX system has the following connections.

Pin	Signal
1	Not used
2	Rx
3	Tx
4	DTR (tied to pin 6, DSR)
5	GND
6	DSR (tied to pin 4, DTR)
7	RTS
8	CTS
9	Not used

Most devices that connect to the serial port to control the Polycom HDX system through the API only require pins 2, 3, and 5. For more information and to verify the proper cabling, refer to the documentation for your control system.

Null Modem Adapter



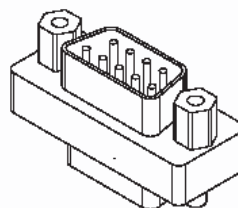
This adapter is used when connecting a Polycom HDX system to a serial device that transmits on pin 3 such as Crestron Pro2 processor. It is a male to female DB-9 adapter plug. This connection may require the [Straight-Through Serial Cable](#) on page 2-63.



Do not use this adapter with an AMX device. AMX systems support both RS-232 and RS-422. Therefore, for RS-232 support, use a null modem cross-over cable that carries only pins 2, 3, and 5, with pins 2 and 3 crossed.

Length	Part Number	RoHS Compliant
—	1517-61577-001	Yes

DB9F	DB9M
PIN 1&6	PIN 4
PIN 2	PIN 3
PIN 3	PIN 2
PIN 4	PIN 1&6
PIN 5	PIN 5
PIN 7	PIN 8
PIN 8	PIN 7
PIN 9	N/C



Drawings and part numbers are provided for reference only. Polycom claims no responsibility or liability for the quality, performance, or reliability of cables based on these reference drawings, other than cables provided by Polycom. Contact your Polycom distributor or Polycom Custom/Vertical Products to order cables that meet the appropriate manufacturing tolerances, quality, and performance parameters for your application.

Using the API

The Application Programming Interface (API) is a set of commands for advanced users who want to automate a Polycom HDX system. You can use the API by connecting a control system or computer RS-232 serial port to a Polycom HDX 9000, Polycom HDX 8000, or Polycom HDX 7000 series system. You can also use Telnet over the LAN to use the API with Polycom HDX 9000, Polycom HDX 8000, Polycom HDX 7000, and Polycom HDX 6000 series systems.

Using the API with an RS-232 Interface

If you use an RS-232 interface to send API commands, you must connect and configure the control system or computer and the Polycom HDX system for serial communication.

Configuring the RS-232 Interface

If you use the API with a serial connection, make sure that the RS-232 interfaces of the Polycom HDX system and your computer are configured appropriately.

To access the RS-232 settings on your system, do one of the following:

- In the local interface, go to **System > Admin Settings > General Settings > Serial Port**.
- In the web interface, go to **Admin Settings > General Settings > Serial Port**.

Configure the Baud Rate and RS-232 Mode options as follows:

Option	Configure this way on your computer	Configure this way on the Polycom HDX system
Baud Rate	Must be the same rate for both devices. Available rates are: <ul style="list-style-type: none">• 9600• 14400• 19200• 38400• 57600• 115200	
RS-232 Mode	—	Control

The RS-232 port on the Polycom HDX system supports the following modes:

- Camera PTZ
- Closed Caption
- Control
- Pass-Thru
- Vortex Mixer

In Control Mode, a device (for example, a computer) connected to the RS-232 port can control the system using the API.

In Pass-Thru Mode, the operational modes of both devices' RS-232 ports depend on the port configuration of each device.

Starting an API Session using an RS-232 Interface

Polycom HDX 9000, Polycom HDX 8000, and Polycom HDX 7000 series systems can run API sessions from the RS-232 interface.

After you have verified that the Polycom HDX system and your computer or control system are both configured appropriately, set up both devices as follows:

- 1 Power off the computer or control system and the Polycom HDX system.
- 2 Use an RS-232 cable to connect the computer or control system RS-232 port to an RS-232 port on the Polycom HDX system as shown in the following illustrations. This connection may require the [Null Modem Adapter](#) on page 2-65.

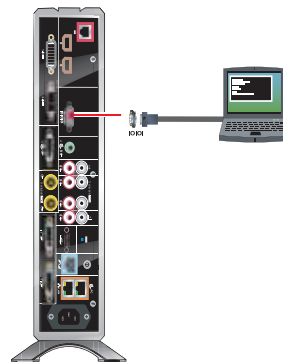
To connect a computer to a Polycom HDX 9006 system:



To connect a computer to a Polycom HDX 9001, Polycom HDX 9002 or Polycom HDX 9004 system:



To connect a computer to a Polycom HDX 8000 or HDX 7000 series system:



- 3 Power on the computer or control system and the Polycom HDX system.
- 4 From the computer or control system, start a serial session using HyperTerminal or another appropriate utility.

Using the API with the Maximum Security Profile Enabled

You must log in with a password to start an RS-232 session if the system is configured with the Security Profile set to Maximum.

You can log in with either the Admin ID and Admin Remote Password or the User ID and User Remote Password of the Polycom HDX system. The availability of individual API commands depends on whether you log in using a User or Admin ID. For a complete list of API commands and parameters available to the user and admin IDs, refer to [Secure RS-232 Interface API Permissions](#) on page D-1 .

For more information about the Security Profile, refer to the *Security Deployment Guide for Polycom HDX Systems*.

Using the API with a LAN Connection

If you have a computer connected to the LAN, you can send API commands to the Polycom HDX system through Telnet port 24.

- 1 On the computer, open a command line interface.
- 2 Start a Telnet session using the Polycom HDX system IP address and port number — for example, tel net 10. 11. 12. 13 24.

You cannot use Telnet to access the system if Security Mode is enabled.

Using the API Controller Code

In cooperation with the leading touch panel controller manufacturers, Polycom Video Division is proud to offer its own version of controller code designed to run on Crestron and AMX systems. This independent code base was developed specifically to address issues of code compatibility with video system software releases. It provides a fully executable controller program but also serves as a guideline for ongoing development using Polycom preferred methodology and commands.

To download the API controller code, refer to www.polycom.com/forms/amx_code.html. Additionally, AMX controller code or Crestron controller code is available for controlling the Polycom EagleEye HD camera. Companion documents are also available to further explain how to interface your controller with Polycom video systems and use the API efficiently.

Additional API Resources

The following online resources are available for your reference as you use the API.

Technical Support Contact Information

To contact Polycom Technical Support, go to www.polycom.com/support. This web site provides you with contact information for Polycom technical support. Use this web site when you need help using the API.

Feature Enhancement Request Web Site

Go to www.polycom.com/support, and navigate to **Feature Request**. This web site allows you to submit suggestions for feature enhancements. Use this web site when you have requests for future development of the Polycom API.

Video Test Numbers

Refer to www.polycom.com/videotest. This web site provides you with test numbers of various Polycom systems worldwide. Use this web site when you need to access video test numbers to use when testing your Polycom system.

Knowledge Base

Refer to the Knowledge Base at www.polycom.com/support. This tool allows you to search for user guides, release notes, and other forms of product documentation. You can also search for troubleshooting information and technical briefs. Use this web site when you need to access Polycom product documentation or tips.

System Commands

This chapter describes the API commands for software version 3.0.5.

For an alphabetical list of all the commands, refer to the table of contents for this document. For a list of commands by category, refer to the [Categorical List of API Commands](#) command on page [E-1](#).

About the API Commands

Syntax Conventions

The following conventions are used for the API command descriptions in this chapter. All of the commands are case sensitive.

Convention	Meaning
<param1 param2 param3>	Multiple valid parameters are enclosed in angle brackets and separated by the pipe (" ") character. Example: <code>allowdialing <yes no get></code> shows that the <code>allowdialing</code> command must be followed by one of the parameters listed.
[param] ["param"]	Optional parameters are enclosed in square brackets. Quotation marks indicate strings to be supplied by the user. Example: <code>teleareacode set ["telephone_area_code"]</code> shows that you can supply a value for the area code, or omit it and let the default value apply. You do not need to enclose the actual value in quotes unless it contains a space.
{a..z}	A range of possible alphanumeric values is enclosed in braces. Example: <code>abk letter {a..z}</code> shows that the <code>abk</code> command can be used to return address book entries that begin with an alphanumeric character in the range specified. Example: <code>camera near {1..4}</code> shows that the <code>camera</code> command can be used to select Camera 1, 2, 3, or 4 at the near site.
"x"	Quotation marks indicate strings to be supplied by the user. You do not need to enclose the value in quotes unless it contains a space.

Although the API command parser may accept the minimum number of characters in a command that makes it unique, you should always use the full command string.

Availability of Commands

The availability of API commands depends on the type of system, optional equipment installed or connected, security settings and the software version installed on the system. If a particular command is not supported on the system, the command returns feedback such as "error: this command is not supported on this model" or "command is not available in current system configuration". If a setting is configured by a provisioning service, the command may return feedback such as "this setting is

controlled by a provisioning service and cannot be changed. For more information about provisioned settings, refer to your provisioning service administrator.”

Deprecated commands are included for backward compatibility only and are not recommended for use with this version. Suitable replacements are noted for each deprecated command.

Commands that are not listed in this chapter are not supported by Polycom. Commands might change or be removed at any time. Polycom discourages integrators from using unpublished commands.



API support is not available for:

- Telnet ports 23 and 24 when Security Mode is enabled.
- Software versions for the Joint Interoperability Test Command (JITC) certification.

Command Response Syntax

When you send a command, the system returns responses using the following syntax, where <CR> indicates a carriage return and <LF> indicates a line feed.



The end of line (EOL) character for the echo is different for serial and LAN responses. The feedback examples below and elsewhere in the Integrator's Reference Manual are based on the serial response.

When Not Registered to Receive Notifications

When your system is not registered to receive any notifications and you send an API command, an API echo and API acknowledgement are returned.

For example:

- camera near 2 <CR>API command
returns
camera near 2<LF><CR>API echo
camera near 2<CR><LF>API acknowledgement

When your system is not registered for notifications, always use the API acknowledgement (<CR><LF>), which indicates that the command was sent, accepted, and processed. Never use the API echo (<LF><CR>), which only indicates that you sent an API command but does not indicate whether the API command you sent was actually processed. For example, you receive an API echo even if you send an invalid API command. In this case, the API echo responds by echoing the invalid API command that you attempted to send.

When Registered to Receive Notifications

Registering for notifications adds extra line responses in the form of API registration responses. When your system is already registered to receive notifications and you send an API command that affects a notification, an API echo, API acknowledgement, and API registration response are returned. You may receive multiple API registration responses if you are registered for multiple notifications that are affected by the API command you are currently sending.

For example, after your system has already been registered to receive camera notifications (the notify vidsourcechanges API command enables these notifications), the following responses are returned when you change the camera source using the camera near 1 API command:

- camera near 1 <CR>API command
returns
camera near 1<LF><CR>API echo
camera near 1<CR><LF>API acknowledgement
notification:vidsourcechange:near:1:Main:people<CR><LF>
API registration response

When your system is registered for notifications, always use the API registration response (<CR><LF>), which indicates that the command was sent, accepted, and processed. Never use the API echo (<LF><CR>), which only indicates that you sent an API command but does not indicate whether the API command you sent was actually processed. For example, you receive an API echo even if you send an invalid API command. In this case, the API echo responds by echoing the invalid API command that you attempted to send.

End Of Line (EOL) Characters When Connected to the API Using a LAN Connection

In software versions prior to 2.5.0.6, the EOL characters for the echo responses on a system connected to the LAN and using a Telnet session were as follows:

```
camera near 2 <CR> API command
returns
camera near 2<CR><CR><LF> API echo
camera near 2<CR><LF> API acknowledgement
```

Starting with software version 2.5.0.6, the response changed to a single <CR>; for example:

```
camera near 2 <CR> API command
returns
camera near 2<CR><LF> API echo
camera near 2<CR><LF> API acknowledgement
```

The `tel netechoeol` command allows you to change the EOL characters of the API echo to the EOL characters of the serial port echo. See [telnetechoeol](#) on page 4-442 for more details.

Commands that Restart the System

Commands that Restart the System with a Prompt

- `reboot`

Commands that Restart the System without a Prompt

- `reboot yes`
- `reboot now`

Additional Tips

- The Polycom HDX system does not provide flow control. If the connection is lost through restarting the system or other means, you must re-establish the connection.
- The API processes one command at a time.
- Polycom does not recommend sending multiple commands simultaneously without a pause or delay between them.
- For commands with a single action and a single response: A delay of 200 milliseconds between commands is usually sufficient. Examples of these commands include the commands for switching cameras (`camera near 1`), sending content (`vcbutton play`), and checking the status of the audio mute (`mute near get`).
- For commands with a single action and a more extensive response: The time required to receive the response, and thus the time between commands, may be longer than 200 milliseconds. The response length, which can vary in size, determines the time required to receive the response. Examples of these commands include the commands for retrieving the local address book (`addrbook all`), the global address book (`gaddrbook all`), the list of system settings (`displayparams`), and system session information (`whoami`).
- When developing your program, always allow enough time for the response to the requested command to complete before sending another command.
- Do not send any commands while an incoming or outgoing call is being established.
- The API provides feedback status in two ways: registrations or polling.

- It is only required that you send registration and notification API commands once, because the registrations become written into Flash memory and are retained even upon restarting the system.
- Polycom recommends putting registrations in the initialization or startup of Crestron and AMX systems.
- Registrations are recommended over polling since they will provide status updates without having to query for changes.
- Never poll for registrations.
- Registrations are specific to the port from which they are registered. If you register for notifications from com port 1, registration will not be sent to com port 2 or Telnet port 24.

!

Executes a previously used command from the history list, starting with a specific number or letter.

Syntax

```
!"string"
!{1..64}
```

Parameter	Description
"string"	Specifies the most recent command from the history list that begins with this string.
{1..64}	Specifies the Nth command in the history list, where N is 1 through 64.

Feedback Examples

Assume the following command history.

- gatewaynumber set 123456789
returns
gatewaynumber 123456789
- hangup video
returns
hangup video call
- history
returns
1 gatewaynumber set 123456789
2 hangup video
- h323name get
returns
h323name testip

In this case, each of the following !<letter or number> commands executes the command and prints its output from the history list, as follows.

- !1
returns
gatewaynumber set 123456789
gatewaynumber 123456789
- !2
returns
hangup video
hangup video call

- !h
returns
h323name get
h323name testip
- history
returns
1 gatewaynumber set 123456789
2 hangup video
3 h323name get
4 gatewaynumber set 123456789
5 hangup video
6 h323name get

See Also

For information about the history list, refer to [history](#) on page 4-188.

abk (deprecated)

Returns local directory (address book) entries. This command has been deprecated. Polycom recommends using the [addrbook](#) command on page 4-12.

Syntax

```
abk all
abk batch {0..59}
abk batch search "pattern" "count"
abk batch define "start_no" "stop_no"
abk letter {a..z}
abk range "start_no" "stop_no"
abk refresh
```

Parameter	Description
all	Returns all the entries in the local directory.
batch	Returns a batch of 10 local directory entries. Requires a batch number, which must be an integer in the range {0..59}.
search	Specifies a batch search.
"pattern"	Specifies a pattern to match for the batch search.
"count"	Specifies the number of entries to list that match the pattern.
define	Returns a batch of entries in the range defined by "start_no" to "stop_no."
"start_no"	Specifies the beginning of the range of entries to return.
"stop_no"	Specifies the end of the range of entries to return.
letter	Returns entries beginning with the letter specified from the range {a..z}. Requires one or two alphanumeric characters. Valid characters are: - _ / ; @ , . \ 0 through 9 a through z
range	Returns local directory entries numbered "start_no" through "stop_no". Requires two integers.
refresh	Gets a more current copy of the local directory.

Feedback Examples

- abk all
returns
abk 0. Polycom HDX Demo 1 spd: 384 num: 1. 700. 5551212
abk 1. Polycom HDX Demo 2 spd: 384 num: 192. 168. 1. 101
abk 2. Polycom HDX Demo 3 spd: 384 num: 192. 168. 1. 102
abk 3. Polycom HDX Demo 3 spd: 384 num: 1. 700. 5551213
(and so on, until all entries in the local directory are listed, then:)
abk all done
- abk batch 0
returns
abk 0. Polycom HDX Demo 1 spd: 384 num: 1. 700. 5551212
abk 1. Polycom HDX Demo 2 spd: 384 num: 192. 168. 1. 101
abk 2. Polycom HDX Demo 3 spd: 384 num: 192. 168. 1. 102
(and so on, through the last entry in the batch of 10 directory entries, such as:)
abk 9. Polycom HDX Demo 20 spd: 384 num: 192. 168. 1. 120
abk batch 0 done
- abk batch define 0 2
returns
abk 0. Polycom HDX Demo 1 spd: 384 num: 1. 700. 5551212
abk 1. Polycom HDX Demo 2 spd: 384 num: 192. 168. 1. 101
abk 2. Polycom HDX Demo 3 spd: 384 num: 192. 168. 1. 102
abk batch define 0 2 done
- abk batch search Polycom 3
returns
abk 0. Polycom HDX Demo 1 spd: 384 num: 1. 700. 5551212
abk 1. Polycom HDX Demo 2 spd: 384 num: 192. 168. 1. 101
abk 2. Polycom HDX Demo 3 spd: 384 num: 192. 168. 1. 102
abk batch search Polycom 3 done
- abk letter p
returns
abk 0. Polycom HDX Demo 1 spd: 384 num: 1. 700. 5551212
abk 1. Polycom HDX Demo 2 spd: 384 num: 192. 168. 1. 101
abk 2. Polycom HDX Demo 3 spd: 384 num: 192. 168. 1. 102
abk 3. Polycom HDX Demo 3 spd: 384 num: 1. 700. 5551213
abk 9. Polycom HDX Demo 20 spd: 384 num: 192. 168. 1. 120
abk letter p done
- abk range 0 2
returns
abk 0. Polycom HDX Demo 1 spd: 384 num: 1. 700. 5551212
abk 1. Polycom HDX Demo 2 spd: 384 num: 192. 168. 1. 101
abk 2. Polycom HDX Demo 3 spd: 384 num: 192. 168. 1. 102
abk range 0 2 done

Comments

Beginning in software version 2.5, entries with multiple addresses (for example, an H.323 address and an ISDN number) return each address type on separate lines with an incremented record number. With previous software versions, entries with multiple addresses return each address type with the same record number.

abk entries are entries stored on the system. gabk entries are entries stored on the GDS. In the user interface, the address book and global address book features are referred to as the *directory* and the *global directory*.

See Also

To return global directory entries, use the [gabk \(deprecated\)](#) command on page 4-140.

addrbook

Returns local directory (address book) entries.

Syntax

```
addrbook all
addrbook batch {0..59}
addrbook batch search "pattern" "count"
addrbook batch define "start_no" "stop_no"
addrbook letter {a..z}
addrbook range "start_no" "stop_no"
addrbook refresh
addrbook names <all|video|phone> [<range_start>] [<range_end>]
addrbook names <all|video|phone> size
addrbook names search "search_pattern" <all|video|phone>
    [<range_start>] [<range_end>]
addrbook names search "search_pattern" <all|video|phone> size
addrbook group "group_name" [<range_start>] [<range_end>]
addrbook group "group_name" size
addrbook address "sys_name" ["sys_label"]
```

Parameter	Description
all	Returns all the entries in the local directory.
batch	Returns a batch of 10 local directory entries. Requires a batch number, which must be an integer in the range {0..59}.
search	Specifies a batch search.
"pattern"	Specifies a pattern to match for the batch search.
"count"	Specifies the number of entries to list that match the pattern.
define	Returns a batch of entries in the range defined by "start_no" to "stop_no."
letter	Returns entries beginning with the letter specified from the range {a..z}. Requires one or two alphanumeric characters. Valid characters are: - _ / ; @ , . \ 0 through 9 a through z
range	Returns local directory entries numbered "start_no" through "stop_no". Requires two integers.
"start_no"	Specifies the beginning of the range of entries to return.
"stop_no"	Specifies the end of the range of entries to return.

Parameter	Description
refresh	Gets a more current copy of the local directory.
names	<p>Returns a list of system names in the local address book. Also returns the system type: video, multicodec, phone, or multisite. A multi-codec system will appear as a single row.</p> <p>The response is in the following format:</p> <pre>addrbook names {0..n}. name: "sys_name" sys_label: "sys_label " type: <video multicodec phone group> ... addrbook names <all video phone> done</pre>
<all video phone>	Specifies the type of entries to return. video returns entries that have video addresses. phone returns entries that have only phone numbers and no video numbers. all returns entries with video numbers or phone numbers or both.
size	<p>Returns the size of the result set that will be returned by the command. The size parameter can be used with the names and the names search commands.</p> <p>The response is in the following format:</p> <pre>addrbook names <all video phone> size {0..n} addrbook names search "search_pattern" <all video phone> size {0..n}</pre>
range_start	For the names, names search, and group commands, specifies the beginning of the range of entries to return.
range_end	For the names, names search, and group commands, specifies the end of the range of entries to return. If a range_start is specified without a range_end, then the single range_start entry will be returned. If range_end is -1, all entries starting with range_start will be returned.
search	<p>Returns a list local directory names that match the search criteria.</p> <p>The response is similar to the names command described above:</p> <pre>addrbook search {0..n}. name: "sys_name" sys_label: "sys_label " type: <video multicodec phone group> ... addrbook names search "search_pattern" <all video phone> done</pre>

Parameter	Description
search_pattern	Specifies the string pattern for which to search. Wildcard characters are not supported. The search string is used to match the beginning of any of the attributes listed in the "names search" parameter description above. For example, the search string "Jo" would match any name that begins with Jo, such as John or Jones. The search is not case sensitive.
group	Returns a list of the names of all the sites included in a local directory group in this format: <pre>addrbook group {0..n}. name: "site_sys_name" sys_label: "site_sys_label " ... addrbook group "group_name" [range] done addrbook group size <num_entries></pre>
group_name	A local address book group name.
address	Obtains the address information for a specified entry. If the entry is an ITP system, the results will include the addresses for all codecs. If codecs support multiple protocols, the different addresses will be returned on separate lines. This command is not supported for multisite entries.
sys_name	The friendly name for an address book entry. It is the name of the person or the room. It is surrounded by quotes if it contains spaces.
sys_label	If a person/room has more than one system, the result set will include a row for each system. If those systems are of the same type, such as HDX, the client will consider that entry to be a telepresence system with multiple codecs rather than separate systems. If the systems are of different types, such as an HDX and a CMAD, then this sys_label attribute will be included to differentiate the systems.
type	The type of local address book entry. Possible values are: video, multicodec, phone, group
site_sys_name	The name of a site in a group. It is surrounded by quotes if it contains spaces
site_sys_label	The label associated with a site name in a local group. It is surrounded by quotes if it contains spaces.
codec: <1..4>	If the entry is a telepresence system, each codec will include a codec number attribute.

Parameter	Description
h323_spd	The preferred speed for an H.323 call to this entry. If no speed is associated with the entry, then the value of the configuration variable "globaladdrmaxh323" is returned. The default is 384.
h323_num	H.323 address or alias.
h323_ext	H.323 extension or E.164 number.
si p_spd	The preferred speed for a SIP call to this entry. If no speed is associated with the entry, then this is the same as the h323_spd.
si p_num	IP address.
xmpp_addr	XMPP address, also known as the Jabber ID (JID).
phone_num	Phone number; a concatenation of the Country Code, National Destination Code, and Subscriber Number.
i sdn_spd	The preferred speed for an H.320 call to this entry. If no speed is associated with the entry, then the value of the configuration variable "globaladdrmaxh320" is returned. The default is 384.
i sdn_num	ISDN number for H.320 calls. This is a concatenation of the Country Code, National Destination Code, and Subscriber Number attributes.
i sdn_ext	The extension of a terminal required to dial after initial PSTN address is connected. It could also be an H.323 extension to be used for gateway dialing (e.g., h323:user@gatekeeper.foo.com).

Feedback Examples

- `addrbook all`
 returns

```
addrbook 0. "Polycom HDX Demo 1" i sdn_spd: 384
i sdn_num: 1. 700. 5551212 i sdn_ext:
addrbook 1. "Polycom HDX Demo 2" h323_spd: 384
h323_num: 192. 168. 1. 101 h323_ext: 7878
addrbook 2. "Polycom HDX Demo 3" si p_spd: 384
si p_num: pol ycomhdx@pol ycom. com
addrbook 3. "Polycom HDX Demo 3" phone_num: 1. 512. 5121212
(and so on, until all entries in the local di rectory are
listed, then:)
addrbook all done
```
- `addrbook batch 0`
 returns

```
addrbook 0. "Polycom HDX Demo 1" i sdn_spd: 384
```

```

i sdn_num: 1. 700. 5551212 i sdn_ext:
addrbook 1. "Polycom HDX Demo 2" h323_spd: 384
h323_num: 192. 168. 1. 101 h323_ext: 7878
addrbook 2. "Polycom HDX Demo 3" si p_spd: 384
si p_num: pol ycomhdx@pol ycom. com
addrbook 3. "Polycom HDX Demo 3" phone_num: 1. 512. 5121212
(and so on, through the last entry in the batch of 10
di rectory entries, such as:)
addrbook 9. "Polycom HDX Demo 20" h323_spd: 384
h323_num: 192. 168. 1. 120 h323_ext:
addrbook batch 0 done

```

- `addrbook batch define 0 2`
returns

```

addrbook 0. "Polycom HDX Demo 1" i sdn_spd: 384
i sdn_num: 1. 700. 5551212 i sdn_ext:
addrbook 1. "Polycom HDX Demo 2" h323_spd: 384
h323_num: 192. 168. 1. 101 h323_ext: 7878
addrbook 2. "Polycom HDX Demo 3" si p_spd: 384
si p_num: pol ycomhdx@pol ycom. com
addrbook batch define 0 2 done

```
- `addrbook names all size`
returns

```

addrbook names all size 21

```
- `addrbook names all size 21`
returns

```

addrbook names all size 21
addrbook names 0. name: "Eng RPX" sys_label: "HDX"
type: mul ti codec
addrbook names 1. name: "Ful ton" sys_label: "" type: vi deo
addrbook names 2. name: "Gen Group" sys_label: "" type: group
addrbook names 3. name: "Geno Ali ssi " sys_label: "" type: vi deo
addrbook names 4. name: "Joseph Sig gri st" sys_label: ""
type: vi deo
addrbook names 5. name: "Lab TPX" sys_label: "" type: vi deo
addrbook names 6. name: "Mi nuteman RPX" sys_label: ""
type: mul ti codec
addrbook names 7. name: "Monday Staff Mtg" sys_label: ""
type: group
addrbook names 8. name: "Polycom Austi n Stereo" sys_label: ""
type: vi deo
addrbook names 9. name: "Polycom Austi n HD" sys_label: ""
type: vi deo
addrbook names all 0 9 done

```
- `addrbook names all`
returns

```

addrbook names 0. name: "Eng RPX" sys_label: "HDX"
type: mul ti codec
addrbook names 1. name: "Ful ton" sys_label: "" type: vi deo

```

```

addrbook names 2. name: "Gen Group" sys_label: "" type: group
addrbook names 3. name: "Geno Alissi" sys_label: "" type: video
addrbook names 4. name: "Joseph Sigrist" sys_label: ""
type: video
addrbook names 5. name: "Lab TPX" sys_label: "" type: video
addrbook names 6. name: "Minuteman RPX" sys_label: "" type:
multi_codec
addrbook names 7. name: "Monday Staff Mtg" sys_label: ""
type: group
addrbook names 8. name: "Polycom Austin Stereo" sys_label: ""
type: video
addrbook names 9. name: "Polycom Austin HD" sys_label: ""
type: video
addrbook names 10. name: "Polycom Austin USA IP" sys_label: ""
type: video
addrbook names 11. name: "Polycom Japan" sys_label: ""
type: video
addrbook names 12. name: "Scott CMAD IP" sys_label: ""
type: video
addrbook names 13. name: "Scott Phone" sys_label: "" type: phone
addrbook names 14. name: "Scott PVX" sys_label: "" type: video
addrbook names 15. name: "Scott Quasar 19" sys_label: ""
type: video
addrbook names 16. name: "SQA HDX" sys_label: "" type: video
addrbook names 17. name: "Sunil Bhalra" sys_label: ""
type: video
addrbook names 18. name: "Test System 1" sys_label: ""
type: video
addrbook names 19. name: "Test System 2A" sys_label: ""
type: video
addrbook names 20. name: "Test System 2B" sys_label: ""
type: video
addrbook names all done

```

- addrbook names search "p" all

returns

```

addrbook search 0. name: "Polycom Austin HD" sys_label: ""
type: video
addrbook search 1. name: "Polycom Austin Stereo" sys_label: ""
type: video
addrbook search 2. name: "Polycom Austin USA IP" sys_label: ""
type: video
addrbook search 3. name: "Polycom Japan" sys_label: ""
type: video
addrbook search 4. name: "Scott Phone" sys_label: "" type: phone
addrbook search 5. name: "Scott PVX" sys_label: "" type: video
addrbook search search p all done

```

- addrbook names search "p" all 0 2

returns

```

addrbook search 0. name: "Polycom Austin HD" sys_label: ""

```

```
type: video
addrbook search 1. name: "Polycom Austin Stereo" sys_label: ""
type: video
addrbook search 2. name: "Polycom Austin USA IP" sys_label: ""
type: video
addrbook search search p all 0 2 done
```

- `addrbook group "Monday Staff Mtg"`
`returns`

```
addrbook group 0. name: "Eng RPX" sys_label: "HDX"
addrbook group 1. name: "Geno Alissi" sys_label: ""
addrbook group 2. name: "Joseph Sigrist" sys_label: ""
addrbook group 3. name: "TPW" sys_label: "HDX"
addrbook group "Monday Staff Mtg" done
```
- `addrbook address "Geno Alissi"`
`return`

```
addrbook address 0. name: "Geno Alissi" sys_label: "" codec: 1
                    h323_spd: 384 h323_num: 172.25.137.101
h323_ext:
addrbook address name: "Geno Alissi" sys_label: "" done
```

Comments

Beginning in software version 2.5, entries with multiple addresses (for example, an H.323 address and an ISDN number) return each address type on separate lines with an incremented record number. With previous software versions, entries with multiple addresses return each address type with the same record number. `addrbook` entries are stored in the local directory (address book).

See Also

[gaddrbook](#) on page 4-145 and [speedial](#) on page 4-330.

addressdisplayedngab

Specifies whether to display the system address in the global directory.

Syntax

```
addressdisplayedngab get
addressdisplayedngab private
addressdisplayedngab public
```

Parameter	Description
get	Returns the current setting.
private	Specifies not to display the system address in the global directory.
public	Displays the system address in the global directory.

Feedback Examples

- addressdisplayedngab private
returns
addressdisplayedngab private
- addressdisplayedngab public
returns
addressdisplayedngab public
- addressdisplayedngab get
returns
addressdisplayedngab public

advnetstats

Gets advanced network statistics for a call connection.

Syntax

advnetstats [{0..n}]

Parameter	Description
{0..n}	Specifies a connection in a multipoint call, where n is the maximum number of connections supported by the system. 0 is call #1, 1 is call #2, 2 is call #3, and so on. Select a number from this range to specify a remote site call for which you want to obtain advanced network statistics. Omit this parameter when retrieving statistics for a point-to-point call.

Feedback Examples

- advnetstats 1
returns
call:1 tar:24k rar:24k tvr:64.3k rvr:104k
tvru:63.8k rvru:114.6k tvfr:15.0 rvfr:15.0 vfe ---
tapl:66 rapl:0 taj:46mS raj:40mS tvpl:122 rvpl:0
tvj:21mS rvj:60mS dc:--- rsi d:Polycom_4.2 ccaps:E9P
- Returned parameters are:
tar=Transmit audio rate
rar=Receive audio rate
tvr=Transmit video rate
rvr=Receive video rate
tvru=Transmit video rate used
rvru=Receive video rate used
tvfr=Transmit video frame rate
rvfr=Receive video frame rate
vfe=Video FEC errors
tapl=Transmit audio packet loss (H.323 calls only)
tlscp=Transmit LSD protocol (H.320 calls only)
rapl=Receive audio packet loss (H.323 calls only)
rlscp=Receive LSD protocol (H.320 calls only)
taj=Transmit audio jitter (H.323 calls only)
tlcdr=Transmit LSD rate (H.320 calls only)
raj=Receive audio jitter (H.323 calls only)
rlcdr=Receive LSD rate (H.320 calls only)
tvpl=Transmit video packet loss (H.323 calls only)
tmlpp=Transmit MLP protocol (H.320 calls only)
rvpl=Receive video packet loss (H.323 calls only)

rmlpp=Receive MLP protocol (H. 320 calls only)
tvj=Transmit video jitter (H. 323 calls only)
tmlpr=Transmit MLP rate (H. 320 calls only)
rvj=Receive video jitter (H. 323 calls only)
rmlpr=Receive MLP rate (H. 320 calls only)
dc=Encryption information
rsid=Remote system id
ccaps=Content capability, where possible responses include
"9" (H. 239), "E" (enterprise dual streams), "N" (none), and
"P" (content over the people stream)

See Also

To return network statistics for a call, use the [netstats](#) command on page [4-260](#).

alertusertone

Sets or gets the tone used for user alerts.

Syntax

alertusertone <get|1|2|3|4>

Parameter	Description
get	Returns the current setting.
1 2 3 4	Sets the user alert to the corresponding tone.

Feedback Examples

- alertusertone 1
returns
alertusertone 1
- alertusertone get
returns
alertusertone 1

alertvideotone

Sets the tone used for incoming video calls.

Syntax

```
al ertvi deotone <get|1|2|3|4|5|6|7|8|9|10>
```

Parameter	Description
get	Returns the current setting.
1 2 3 4 5 6 7 8 9 10	Sets the incoming video alert to the corresponding tone.

Feedback Examples

- al ertvi deotone 1
returns
al ertvi deotone 1
- al ertvi deotone get
returns
al ertvi deotone 1

all register

Registers for most commonly-used user registration events.

Syntax

```
all register
```

Feedback Examples

- all register
returns
callstate registered
camera registered
chaircontrol registered
linestate registered
mute registered
pip registered
popupinfo registered
preset registered
screen registered
vbutton registered
volume registered
sleep registered

Comments

Registers changes to any of the following types of parameters:

- Current near-site or far-site source
- State of privacy
- Current volume level
- Active camera presets
- Status of point-to-point or multipoint calls
- Status of physical ISDN/IP connection to codec
- PIP state
- Chair control
- System information

This command is particularly useful when two different control systems are being used simultaneously, such as the web and API commands. The system maintains the registration changes through restarts.

To register for events not included in this feedback, refer to the specific registration command.

This is a one time registration command that is retained in flash memory. Sending the command a second time results in the following feedback response:

- info: event/noti fi cati on al ready acti ve: call state
info: event/noti fi cati on al ready acti ve: camera
info: event/noti fi cati on al ready acti ve: chai rcontrol
info: event/noti fi cati on al ready acti ve: chai rcontrol
info: event/noti fi cati on al ready acti ve: li nestate
info: event/noti fi cati on al ready acti ve: mute
info: event/noti fi cati on al ready acti ve: pi p
info: event/noti fi cati on al ready acti ve: popupi nfo
info: event/noti fi cati on al ready acti ve: preset
info: event/noti fi cati on al ready acti ve: screen
info: event/noti fi cati on al ready acti ve: vcbutton
info: event/noti fi cati on al ready acti ve: vol ume
info: event/noti fi cati on al ready acti ve: sl eep

The all regi ster command does not return local camera movements if the camera is moved using the remote control, the web interface, or the Polycom Touch Control virtual remote.

Polycom recommends you use this command in place of the [registerall \(deprecated\)](#) command on page 4-296.

all unregister

Simultaneously unregisters all registered user feedback so that the API no longer reports changes to the parameters.

Syntax

```
all unregister
```

Feedback Examples

- all unregister
returns
callstate unregistered
camera unregistered
chaircontrol unregistered
linestate unregistered
chaircontrol unregistered
mute unregistered
pip unregistered
popuserinfo unregistered
preset unregistered
screen unregistered
vbutton unregistered
volume unregistered
sleep unregistered

Comments

The following types of parameters are unregistered:

- Current near-site or far-site source
- State of privacy
- Current volume level
- Active camera presets
- Status of point-to-point or multipoint calls
- Status of physical ISDN/IP connection to codec
- PIP state
- Chair control
- System information

Polycom recommends you use this command in place of the [unregisterall \(deprecated\)](#) command on page 4-446.

allowabkchanges

Sets or gets the Allow Directory Changes setting.

Syntax

```
allowabkchanges <get|yes|no>
```

Parameter	Description
get	Returns the current setting.
yes	Enables the Allow Directory Changes setting.
no	Disables the Allow Directory Changes setting.

Feedback Examples

- allowabkchanges no
returns
allowabkchanges no
- allowabkchanges yes
returns
allowabkchanges yes
- allowabkchanges get
returns
allowabkchanges yes

Comments

If this option is enabled, the user has access to the **New**, **Edit**, and **Delete** operations in the directory.

allowcamerapresetssetup

Sets or gets whether users are allowed to change camera presets.

Syntax

allowcamerapresetssetup <get|yes|no>

Parameter	Description
get	Returns the current setting.
yes	Allows users to change camera presets.
no	Prevents users from changing camera presets.

Feedback Examples

- allowcamerapresetssetup no
returns
allowcamerapresetssetup no
- allowcamerapresetssetup yes
returns
allowcamerapresetssetup yes
- allowcamerapresetssetup get
returns
allowcamerapresetssetup yes

allowdialing

Sets or gets the ability to dial out from the system.

Syntax

allowdialing <get|yes|no>

Parameter	Description
get	Returns the current setting.
yes	Allows users to place calls.
no	Disables dialing so that the system can only receive calls.

Feedback Examples

- allowdialing no
returns
allowdialing no
- allowdialing yes
returns
allowdialing yes
- allowdialing get
returns
allowdialing yes

Comments

allowdialing no removes the dialing field and marquee text from the Home screen.

allowmixedcalls

Sets or gets the ability to place and receive mixed protocol multipoint calls (IP and ISDN). It allows the administrator to disable this ability for security reasons.

Syntax

```
allowmixedcalls <get|yes|no>
```

Parameter	Description
get	Returns the current setting.
yes	Enables mixed IP and ISDN calls.
no	Disables mixed IP and ISDN calls.

Feedback Examples

- allowmixedcalls no
returns
allowmixedcalls no
- allowmixedcalls yes
returns
allowmixedcalls yes
- allowmixedcalls get
returns
allowmixedcalls yes

allowusersetup

Adds or removes the **User Settings** icon on the System screen, which allows users to access the User Settings screen.

Syntax

```
allowusersetup <get|yes|no>
```

Parameter	Description
get	Returns the current setting.
yes	Enables the User Settings icon.
no	Disables the User Settings icon.

Feedback Examples

- allowusersetup no
returns
allowusersetup no
- allowusersetup yes
returns
allowusersetup yes
- allowusersetup get
returns
allowusersetup yes

Comments

This command is useful to prevent users from changing the user settings.

amxdd

Sets or gets the AMX Device Discovery beacon.

Syntax

```
amxdd get  
amxdd <on|off>
```

Parameter	Description
get	Returns the current setting.
on	Turns on the AMX Device Discovery beacon.
off	Turns off the AMX Device Discovery beacon.

Feedback Examples

- amxdd get
returns
amxdd off
- amxdd on
returns
amxdd on

Comments

The default setting for this signal is "off".

Turning on this command sends out the AMX Device Discovery beacon over the LAN interface. On serial port API sessions, a similar feature is always enabled. This command does not affect that feature on serial port API sessions.

answer

Answers incoming video or phone calls (analog voice or ISDN voice).

Syntax

```
answer <video|phone>
```

Parameter	Description
video	Answers incoming video calls when Auto Answer Point-to-Point Video or Auto Answer Multipoint Video is set to No.
phone	Answers incoming analog phone or ISDN voice calls.

Feedback Examples

- answer video
returns
answer incoming video call failed
- answer video
returns
answer incoming video call passed
- answer phone
returns
answer incoming phone call failed
- answer phone
returns
answer incoming phone call passed

areacode

Sets or gets the area code for all ISDN lines. This command is only applicable if you have a network interface connected to your system.

Syntax

```
areacode get  
areacode set "areacode"
```

Parameter	Description
get	Returns the area code information.
set	Sets the ISDN area code when followed by the area code parameter. To erase the current setting, omit "areacode".
"areacode"	Area code to use for all lines.

Feedback Examples

- areacode set 212
returns
areacode 212
- areacode get
returns
areacode 212

Comments

This area code is associated with the area where the system is used.

audiometer

Queries and displays audio levels, once per second.

Syntax

audiometer

```
<mi cl eft | mi cri ght | l i nei nl eft | l i nei nri ght | l i neoutl eft | l i neoutri ght |
contenti nl eft | contenti nri ght | vcri nl eft | vcri nri ght | vcroutl eft |
vcroutri ght | farendl eft | farendri ght | off>
```

Parameter	Description
mi cl eft	Measures the audio strength of the signal coming from all microphones assigned to the "left" microphone channel.
mi cri ght	Measures the audio strength of the signal coming from all microphones assigned to the "right" microphone channel.
l i nei nri ght	Measures the audio strength of the signal connected to the right line input port.
l i nei nl eft	Measures the audio strength of the signal connected to the left line input port.
l i neoutl eft	Measures the audio strength of the signal on the left main audio output port.
l i neoutri ght	Measures the audio strength of the signal on the right main audio output port.
contenti nl eft	Measures the audio strength of the signal on the left content audio input port.
contenti nri ght	Measures the audio strength of the signal on the right content audio input port.
vcri nl eft	Measures the strength of the signal on the left VCR/DVD audio input port.
vcri nri ght	Measures the strength of the signal on the right VCR/DVD audio input port.
vcroutl eft	Measures the strength of the signal on the left VCR/DVD audio output port.
vcroutri ght	Measures the strength of the signal on the right VCR/DVD audio output port.

Parameter	Description
farendri ght	Measures the strength of the signal on the right channels of all far-site audio inputs.
farendl eft	Measures the strength of the signal on the left channels of all far-site audio inputs.
off	Turns off audiometer output.

Feedback Examples

- audiometer micleft
 returns
 audiometer micleft level peak: -19
 audiometer micleft level peak: -19
 audiometer micleft level peak: -19
 audiometer micleft level peak: -20
 audiometer micleft level peak: -20
 audiometer micleft level peak: -20
 audiometer micleft level peak: -20
 and so on until you enter
 audiometer off
- audiometer micright
 returns
 audiometer micright level peak: -19
 audiometer micright level peak: -19
 audiometer micright level peak: -19
 audiometer micright level peak: -20
 audiometer micright level peak: -20
 audiometer micright level peak: -20
 audiometer micright level peak: -20
 and so on until you enter
 audiometer off

Comments

Audio level of a port is measured on the spectrum ranging from -20 dB to +20 dB. Use the audiometer command for a different port to stop monitoring a previous port and to begin monitoring a new port. To turn off monitoring, use audiometer off and watch for the audiometer off acknowledgement or registration response, which confirms that the audiometer monitoring is turned off.

audiotransmitlevel

Sets or gets the audio volume transmitted to the far site, or notification of transmit level changes.

Syntax

```
audiotransmitlevel <get|up|down|register|unregister>
audiotransmitlevel set {-20..30}
```

Parameter	Description
get	Returns the current setting.
up	Sets the volume 1 decibel higher than the current setting.
down	Sets the volume 1 decibel lower than the current setting.
register	Registers to receive notification when audio transmit level changes.
unregister	Unregisters to receive notification when audio transmit level changes.
set	Sets the volume to the specified dB level. Valid values are: {-20..30}.

Feedback Examples

- `audiotransmitlevel set 2`
returns
`audiotransmitlevel 2`
- `audiotransmitlevel get`
returns
`audiotransmitlevel 2`
- `audiotransmitlevel up`
returns
`audiotransmitlevel 3`
- `audiotransmitlevel down`
returns
`audiotransmitlevel 2`
- `audiotransmitlevel register`
returns
`audiotransmitlevel registered`
- `audiotransmitlevel unregister`
returns
`audiotransmitlevel unregistered`

autoanswer

Sets or gets the Auto Answer Point-to-Point Video mode, which determines how the system handles an incoming call in a point-to-point video conference.

Syntax

autoanswer <get|yes|no|donotdi sturb>

Parameter	Description
yes	Allows any incoming video call to be connected automatically. This is the default setting.
no	Prompts the user to answer incoming video calls.
donotdi sturb	Notifies the user of incoming calls, but does not connect the call. The site that placed the call receives a Far Site Busy (H.320) or Call Rejected (H.323) code.
get	Returns the current setting.

Feedback Examples

- autoanswer yes
returns
autoanswer yes
- autoanswer no
returns
autoanswer no
- autoanswer get
returns
autoanswer no
- autoanswer donotdi sturb
returns
autoanswer donotdi sturb

Comments

If autoanswer is set to no or donotdi sturb, you must rely on API session notifications to answer inbound calls.

autoshowcontent

Specifies whether to send content automatically when a computer is connected to the system.

Syntax

autoshowcontent <get|on|off>

Parameter	Description
get	Returns the current setting.
on	Sets the system to send content automatically when a computer is connected to the system.
off	Sets the system to not send content automatically.

Feedback Examples

- autoshowcontent on
returns
autoshowcontent on
- autoshowcontent off
returns
autoshowcontent off
- autoshowcontent get
returns
autoshowcontent off

backlightcompensation

Sets or gets the Backlight Compensation mode.

Syntax

backlightcompensation <get|yes|no>

Parameter	Description
get	Returns the current setting.
yes	Enables Backlight Compensation. The camera automatically adjusts for a bright background.
no	Disables the option.

Feedback Examples

- backlightcompensation yes
returns
backlightcompensation yes
- backlightcompensation no
returns
backlightcompensation no
- backlightcompensation get
returns
backlightcompensation no

basicmode

Sets or gets the Basic Mode configuration, a limited operating mode that uses H.261 for video and G.711 for audio. Basic mode provides administrators with a workaround for interoperability issues that cannot be solved using other methods.

Syntax

```
basi cmode <get|on|off>
```

Parameter	Description
get	Returns the current setting.
on	Enables basic mode.
off	Disables basic mode.

Feedback Examples

- basi cmode on
returns
basi cmode on
- basi cmode off
returns
basi cmode off
- basi cmode get
returns
basi cmode off

bri1enable, bri2enable, bri3enable, bri4enable

Sets or gets the configuration of the specified ISDN BRI line. This command is only applicable if you have a BRI network interface connected to your system.

Syntax

```
bri 1enabl e <get|yes|no>
bri 2enabl e <get|yes|no>
bri 3enabl e <get|yes|no>
bri 4enabl e <get|yes|no>
```

Parameter	Description
get	Returns the status of the BRI line—yes if enabled, no if disabled.
yes	Enables the BRI line.
no	Disables the BRI line.

Feedback Examples

- bri 1enabl e yes
returns
bri 1enabl e yes
- bri 1enabl e no
returns
bri 1enabl e no
- bri 1enabl e get
returns
bri 1enabl e no

briallenable

Sets or gets the configuration of all ISDN BRI lines. This command is only applicable if you have a BRI network interface connected to your system.

Syntax

```
briallenable <get|yes|no>
```

Parameter	Description
get	Returns the status of all BRI lines—yes if enabled, no if disabled.
yes	Enables all BRI lines.
no	Disables all BRI lines.

Feedback Examples

- `briallenable yes`
returns
`bri1enable yes`
`bri2enable yes`
`bri3enable yes`
`bri4enable yes`
- `briallenable no`
returns
`bri1enable no`
`bri2enable no`
`bri3enable no`
`bri4enable no`
- `briallenable get`
returns
`bri1enable no`
`bri2enable no`
`bri3enable no`
`bri4enable no`

Comments

`briallenable yes` only enables lines where the directory numbers have been populated.

button

Simulates Polycom remote control buttons.

Syntax

```
button <#|*|0|1|2|3|4|5|6|7|8|9|. >
button <down|left|right|select|up>
button <auto|back|call|far|graphics|hangup|near>
button <help|mute|volume+|volume-|lowbattery|zoom+|zoom->
button <pickedup|putdown>
button <camera|delete|directory|home|keyboard|period|pip|preset>
button <info|menu|slides|option>
button "valid_button" ["valid_button" ... ]
button <mmstop|mmlay|mmpause|mmrecord|mmforward|mmrewind>
```

Parameter	Description
.	Types a period (dot) if the cursor is on a text field.
#	Sends the # button signal to the user interface.
*	Sends the * button signal to the user interface.
["valid_button" ...]	Sends one or more remote control button signals.
0 1 2 3 4 5 6 7 8 9	Sends the corresponding numeric button signal to the user interface.
auto	Sends the Auto button signal to the user interface.
back	Simulates the Back button on multiple-page screens.
call	Sends the Call button signal to the user interface.
camera	Sends the Camera button signal to the user interface.
delete	Sends the Delete button signal to the user interface.
directory	Sends the Directory button signal to the user interface.
down	Sends the down arrow button signal to the user interface.
far	Sends the Far button signal to the user interface.
graphics	Sends the Content button signal to the user interface.
hangup	Sends the Hang Up button signal to the user interface.
help	Sends the Help button signal to the user interface.
home	Sends the Home button signal to the user interface.

Parameter	Description
info	Sends the Info button signal to the user interface.
keyboard	Brings up the on-screen keyboard if the cursor is on a text field.
left	Sends the left arrow button signal to the user interface.
lowbattery	Simulates a low battery alert for the remote control.
menu	Sends the Menu button signal to legacy systems. Deprecated. Polycom recommends using back instead of this button.
mmstop	Stops the video stream on the RSS-4000™.
mmplay	Plays the video stream on the RSS-4000.
mmpause	Pauses the video stream on the RSS-4000.
mmrecord	Records the video stream on the RSS-4000.
mmforward	Fast forwards the video stream on the RSS-4000.
mmrewind	Rewinds the video stream on the RSS-4000.
mute	Sends the Mute button signal to the user interface, causing a toggle of mute state.
near	Sends the Near button signal to the user interface.
option	Sends the Option button signal to the user interface.
period	Types a period (dot) if the cursor is on a text field.
pickedup	Sends a signal indicating that the remote control has been picked up.
pip	Sends the Display button signal to the user interface.
preset	Sends the Preset button signal to the user interface.
putdown	Sends a signal indicating that the remote control has been set down.
right	Sends the right arrow button signal to the user interface.
select	Sends the Select (center button) button signal to the user interface.
slides	Sends the Slides button signal to legacy systems. Deprecated. Polycom recommends using graphics instead of this button.
up	Sends the up arrow button signal to the user interface.
volume-	Sends the volume - button signal to the user interface.

Parameter	Description
vol ume+	Sends the volume + button signal to the user interface.
ZOOM-	Sends the zoom - button signal to the user interface.
ZOOM+	Sends the zoom +button signal to the user interface.

Feedback Examples

- button up
sends the up arrow command to the user interface and returns
button up
- button near left right call
is valid, sends the near, left arrow, right arrow, and call commands to the user interface, and returns
button near
button left
button right
button call
- button mmstop
returns
button mmstop
- button mmp lay
returns
button mmp lay

The command checks for invalid input and reports button responses as they are processed. One of three status values is returned when the command is issued for multiple buttons:

- succeeded—all buttons are valid
- failed—all input is invalid and none can perform a valid action
- completed—some are invalid, and responses specify each as valid or invalid

For example:

- button camera right center select
returns
button camera
button right
error: button center not a recognized command
button select
button completed

Long button command sequences will complete before a second command is considered. Feedback for button command sequences that include multiple buttons show only the first button name.

Comments

Several parameters can be combined in the same command in any order.

The button commands are not recommended. When possible, use another API command instead of the button commands, which rely on the current organization of the user interface.

Use button `pi p` to send the **Display** button signal to the user interface.

Feedback responses from RSS-2000 parameters are not from the RSS-2000 and are not an indication that you are in control of the RSS-2000. You can issue the commands when you are not connected to the RSS-2000 and still receive feedback.

calendardomain

Gets and sets the domain used by the calendaring service to log in to the Microsoft® Exchange server.

Syntax

```
calendardomain get  
calendardomain "domain"
```

Parameter	Description
get	Returns the domain used by the calendaring service.
"domain"	The domain to be used by the calendaring service.

Feedback Examples

- calendardomain get
returns
calendardomain smithfield
- calendardomain fairview
returns
calendardomain fairview

See Also

To enable or disable the calendaring service, use the [calendarregisterwithserver](#) command on page 4-56. To configure the Microsoft Exchange server address used by this service use the [calendarserver](#) command on page 4-59. To set the resource mailbox to be monitored, use the [calendarresource](#) command on page 4-58.

calendarmeetings

Retrieves scheduled meetings within the given time span or with the given meeting ID.

Syntax

```
calendarmeetings list "starttime" ["endtime"]
calendarmeetings info "meetingid"
```

Parameter	Description
list	Returns the meeting id or ids for meetings that start at or after the specified start time and end time.
"starttime"	The start time of meetings to be retrieved. The start time can be entered in one of the following formats: <ul style="list-style-type: none"> • YYYY-MM-DD:HH:MM • today:HH:MM • today • tomorrow:HH:MM • tomorrow The times are interpreted to be local times in the time zone the system was configured for.
"endtime"	The end time of meetings to be retrieved. This parameter can be given in the following format. <ul style="list-style-type: none"> • YYYY-MM-DD:HH:MM • today:HH:MM • today • tomorrow:HH:MM • tomorrow The times are interpreted to be local times in the time zone the system was configured for.
info	Retrieves meeting details for scheduled meetings when the Polycom HDX system is registered with the calendaring service. Returns information such as the location, subject and organizer of the meeting.
"meetingid"	The ID of the meeting for which you want to find details.

Feedback Examples

- calendarmeetings list tomorrow
returns
calendarmeetings list begin
meeting|AAAaAEFsZXguTWFj RG9uYWxkQHBvbHI j b20uY29tAVEACI j Mne2
/ndgARgAAAADr9GI hsSj WEZBcAAKzMphJBwA4wi cbtr3UEZArAKAk09LtAA
ACZpKWAADe7hJI eQI 0S7j 2mzRJxkLKAAD I /F8BAAA |2010-03-30: 08: 30
|2010-03-30: 09: 00|Di scuss Budget
meeting|AAAaAEFsZXguTWFj RG9uYWxkQHBvbHI j b20uY29tAVEACI j Mne2
/ndgARgAAAADr9GI hsSj WEZBcAAKzMphJBwA4wi cbtr3UEZArAKAk09LtAA
ACZpKWAADe7hJI eQI 0S7j 2mzRJxkLKA AAA /9PhAAAQ |2010-03-30: 09: 00
|2010-03-30: 09: 30|Program Revi ew
meeting|AAAaAEFsZXguTWFj RG9uYWxkQHBvbHI j b20uY29tAVEACI j Mne2
/ndgARgAAAADr9GI hsSj WEZBcAAKzMphJBwA4wi cbtr3UEZArAKAk09LtAA
ACZpKWAABZ29FOUOS5Q6xzZ1I zDDNnAABFQAQ3AAAQ |2010-03-30: 10: 00
|2010-03-30: 11: 00|Customer Care Commi tment Meeting
calendarmeetings list end
- calendarmeetings list 2010-03-30: 08: 00 2010-04-01: 17: 00
returns
calendarmeetings list begin
meeting|AAAaAEFsZXguTWFj RG9uYWxkQHBvbHI j b20uY29tAVEACI j Mne2
/ndgARgAAAADr9GI hsSj WEZBcAAKzMphJBwA4wi cbtr3UEZArAKAk09LtAA
ACZpKWAADe7hJI eQI 0S7j 2mzRJxkLKAAD I /G8AAAQ |2010-03-30: 08: 30
|2010-03-30: 09: 00|Bug Scrub
meeting|AAAaAEFsZXguTWFj RG9uYWxkQHBvbHI j b20uY29tAVEACI j Mne2
/ndgARgAAAADr9GI hsSj WEZBcAAKzMphJBwA4wi cbtr3UEZArAKAk09LtAA
ACZpKWAABZ29FOUOS5Q6xzZ1I zDDNnAABFQARCAAAQ |2010-03-30: 11: 30
|2010-03-30: 12: 30|HDX/ I P7000/Conference Coordi nati on
meeting|AAAaAEFsZXguTWFj RG9uYWxkQHBvbHI j b20uY29tAVEACI j Mne2
/ndgARgAAAADr9GI hsSj WEZBcAAKzMphJBwA4wi cbtr3UEZArAKAk09LtAA
ACZpKWAABZ29FOUOS5Q6xzZ1I zDDNnAABFQAQ3AAAQ |2010-04-01: 16: 30
|2010-04-01: 17: 00|Customer Care Commi tment Meeting
calendarmeetings list end

- calendarmeetings info
AAAaAEFsZXguTWFjRG9uYWxkQHBvbHIjb20uY29tAVEACIjMne2/ndgARgA
AAADr9GIhsSjWEZBcAAKzMphJBwA4wibctr3UEZArAKAk09LtAAACZpKWAA
De7hJIeQIOS7j2mzRJxkLKAAADI/G8AAAQ
returns
calendarmeetings info start
id|AAAaAEFsZXguTWFjRG9uYWxkQHBvbHIjb20uY29tAVEACIjMne2/ndgA
RgAAADr9GIhsSjWEZBcAAKzMphJBwA4wibctr3UEZArAKAk09LtAAACZpK
WAADe7hJIeQIOS7j2mzRJxkLKAAADI/G8AAAQ
2010-03-30: 08: 30|2010-03-30: 09: 00|di al abl e|publ ic
organizer|Russel l Bel l
location|Russel l 's RMX Meeting Room - IP Video Number: 123456
(if registered to corp GK); 888-123-4567/978-123-4567 with
passcode: #760900
subject|Bug Scrub
di al i ngnumber|vi deo|733397@vsgwstdma01.r13.vsg.local2|si p
di al i ngnumber|vi deo|733397|h323
di al i ngnumber|audi o|48527
meetin gpassword|none
attende e|Russel l Bel l
attende e|Rebecca Sharp
calendarmeetings info end
- calendarmeetings info
AAAaAEFsZXguTWFjRG9uYWxkQHBvbHIjb20uY29tAVEACIjMn4AUcVgARgA
AAADr9GIhsSjWEZBcAAKzMphJBwA4wibctr3UEZArAKAk09LtAAACZpKWAA
De7hJIeQIOS7j2mzRJxkLKAAAA30GwAAAQ
returns
calendarmeetings info start
id|AAAaAEFsZXguTWFjRG9uYWxkQHBvbHIjb20uY29tAVEACIjMn4AUcVgA
RgAAADr9GIhsSjWEZBcAAKzMphJBwA4wibctr3UEZArAKAk09LtAAACZpK
WAADe7hJIeQIOS7j2mzRJxkLKAAAA30GwAAAQ
2010-04-01: 10: 30|2010-04-01: 11: 00|nondi al abl e|pri vate
organizer|Rebecca Sharp
location|Red River conference room
subject|Escal ations Revi ew
attende e|Rosl in Adam
attende e|Conf. AUS. Red Ri ver
attende e|Cl audi a Nevarez
calendarmeetings info end

Comments

If the meeting's end time is more than 31 days from the meeting's start time, the response is shortened to `starttime+31days`, and meetings that start in that time span are returned.

If an API client is logged in with user-level credentials and if the Polycom HDX system is configured to hide private meeting information on the web interface, the API hides the information from the API client and shows the subject of the meeting as "Private Meeting"; for example:

```
calendarmeetings list begin
meeting|AAAaAEFsZXguTWFjRG9uYWxkQHBvbHIjb20uY29tAVEACIjMn4AUcVg
ARgAAAADr9GIhsSjWEZBcAAKzMphJBwA4wibctr3UEZArAKAk09LtAAACZpKWAA
De7hJl eQl OS7j 2mzRJxkLKAAAA30GwAAAQ|2009-09-25: 08: 30|2009-09-25: 09:
15|private meeting
calendarmeetings list end
```

If a Polycom HDX system is configured to provide private meeting information on the web interface, the API provides the same information to the API client; for example:

```
calendarmeetings list begin
meeting|AAAZAGV4Y2H1C2VYMDFACJEZLNZZZY5SB2NHBDI ARGAAAAAAKQKC8WW
3CUWGCPM+AP66WQCASOLXUYMOMEKYBQJJ1ZOMBWASDQANHQAAASOLXUYMOMEKYBQ
JJ1ZOMBWASDQASVGAA|2009-09-25: 08: 30|2009-09-25: 09: 15| Demo
calendarmeetings list end
```

If the API client is logged in with admin-level credentials, the API provides private meeting information to the API client, regardless of the HDX configuration for displaying private meeting information; for example:

```
calendarmeetings list begin
meeting|AAAZAGV4Y2H1C2VYMDFACJEZLNZZZY5SB2NHBDI ARGAAAAAAKQKC8WW
3CUWGCPM+AP66WQCASOLXUYMOMEKYBQJJ1ZOMBWASDQANHQAAASOLXUYMOMEKYBQ
JJ1ZOMBWASDQASVGAA|2009-09-25: 08: 30|2009-09-25: 09: 15|Release plan
meeting|AAAZAGV4Y2H1C2VYMDFACJEZLNZZZY5SB2NHBDI ARGAAAAAAKQKC8WW
3CUWGCPM+AP66WQCASOLXUYMOMEKYBQJJ1ZOMBWASDQANHQAAASOLXUYMOMEKYBQ
JJ1ZOMBWASDQASVGAA|2009-09-23: 11: 00|2009-09-23: 11: 45|Product roadmap
for 2010
calendarmeetings list end
```

The calendaring service must be registered with Microsoft Exchange server for the `calendarmeetings` command to work successfully. If the calendar credentials are invalid, the server address is not valid, or the configured user credentials don't have access permissions to the resource mailbox calendar, the service will fail to register.

This command has multi line output.

The following characters in the meeting subject will not be displayed:

- | (vertical bar)
- CR (carriage return)
- LF (line feed)

See Also

To enable or disable the calendaring service, use the [calendarregisterwithserver](#) command on page 4-56. To configure the Microsoft Exchange server address used by this service use the [calendarserver](#) command on page 4-59.

calendarpassword

Sets the password used by the calendaring service to log in to the Microsoft Exchange server.

Syntax

```
calendarpassword "password"
```

Parameter	Description
"password"	The password used by the calendaring service to log in to the Microsoft Exchange server.

Feedback Examples

```
calendarpassword Dsca1end@r  
returns  
calendarpassword Dsca1end@r
```

Comments

The password can be up to 15 characters long and is case-sensitive. Use strong passwords that combine uppercase and lowercase letters, numbers, and symbols.

See Also

To enable or disable the calendaring service, use the [calendarregisterwithserver](#) command on page 4-56.

calendarplaytone

Enables or disables the reminder alert tone that plays with the meeting reminder when the Polycom HDX system is registered with the calendaring service.

Syntax

```
cal endarpl aytone get
cal endarpl aytone <yes|no>
```

Parameter	Description
get	Gets the current setting for the alert tone.
yes	Enables the alert tone.
no	Disables the alert tone.

Feedback Examples

- cal endarpl aytone get
returns
cal endarpl aytone yes
- cal endarpl aytone yes
returns
cal endarpl aytone yes
- cal endarpl aytone no
returns
cal endarpl aytone no

See Also

See [calendarremindertime](#) command on page 4-57.

calendarregisterwithserver

Enables or disables the calendaring service.

Syntax

```
calendarregisterwithserver get  
calendarregisterwithserver <yes|no>
```

Parameter	Description
get	Returns the current server registration status.
yes	Enables the calendaring service.
no	Disables the calendaring service.

Feedback Examples

- calendarregisterwithserver get
returns
calendarregisterwithserver no
- calendarregisterwithserver yes
returns
calendarregisterwithserver yes
- calendarregisterwithserver no
returns
calendarregisterwithserver no

Comments

To configure the Microsoft Exchange server address used by the calendaring service use the [calendarserver](#) command on page 4-59.

calendarremindertime

Gets and sets the reminder time for meetings in the calendar when the system is registered with the calendaring service.

Syntax

```
calendarremindertime <get|1|5|10|15|30|none>
```

Parameter	Description
get	Gets the current reminder time.
1 5 10 15 30 none	The number of minutes before a meeting starts that a meeting reminder is given.

Feedback Examples

- calendarremindertime get
returns
calendarremindertime 5
- calendarremindertime 15
returns
calendarremindertime 15
- calendarremindertime none
returns
calendarremindertime none

Comments

By default, the reminder time is set to 5 minutes.

See Also

Use the [notify](#) command on page 4-263 to register for meeting reminders.

See also [calendarplaytone](#) command on page 4-55.

calendarresource

Gets and sets the mailbox account being monitored for calendar events. The mailbox account is called a resource.

Syntax

```
calendarresource get  
calendarresource "resource"
```

Parameter	Description
get	Returns the resource being monitored for calendar events.
"resource"	The resource to monitor for calendaring events.

Feedback Examples

- calendarresource get
returns
calendarresource radam@abcde.com
- calendarresource jmcnulty@abcde.com
returns
calendarresource jmcnulty@abcde.com

Comments

A resource can be a user mailbox or a resource mailbox. A resource mailbox is a mailbox specifically assigned to a meeting room.

See Also

Use the [calendarregisterwithserver](#) command on page 4-56 to enable or disable the calendaring service. See the [calendarserver](#) command on page 4-59 to configure the Microsoft Exchange server address used by the calendaring service.

calendarserver

Gets or sets the Microsoft Exchange server used by the calendaring service.

Syntax

```
calendarserver get
calendarserver "server"
```

Parameter	Description
get	Gets the current Microsoft Exchange server used by the calendaring service.
"server"	The IP address or DNS name of the Microsoft Exchange server to be used by the calendaring service.

Feedback Examples

- calendarserver get
returns
calendarserver 192.168.44.168
- calendarserver 192.168.23.221
returns
calendarserver 192.168.23.221
- calendarserver get
returns
calendarserver mail.exchangeserver.local.com
- calendarserver mail2.exchserver.local.com
returns
calendarserver mail2.exchserver.local.com

See Also

Use the [calendarregisterwithserver](#) command on page 4-56 to enable or disable the calendaring service.

calendarshowpvtmeetings

Enables or disables the display of private meetings in the calendar when the system is registered with the calendaring service.

Syntax

```
calendarshowpvtmeetings get  
calendarshowpvtmeetings <yes|no>
```

Parameter	Description
get	Gets the current setting for private meeting display.
yes	Enables the display of private meetings.
no	Blocks the display of private meetings.

Feedback Examples

- calendarshowpvtmeetings get
returns
calendarshowpvtmeetings no
- calendarshowpvtmeetings yes
returns
calendarshowpvtmeetings yes
- calendarshowpvtmeetings no
returns
calendarshowpvtmeetings no

calendarstatus

Returns the status of the Microsoft Exchange server connection.

Syntax

```
calendarstatus get
```

Parameter	Description
get	Returns the Microsoft Exchange server connection status.

Feedback Examples

- calendarstatus get
returns
calendarstatus established
- calendarstatus get
returns
calendarstatus unavailable

See Also

Use the [calendarregisterwithserver](#) command on page 4-56 to enable or disable the calendaring service.

calendaruser

Gets or sets the user name the calendaring service uses to log in to the Microsoft Exchange server.

Syntax

```
calendaruser get  
calendaruser "username"
```

Parameter	Description
get	Returns the user name being used by the calendaring service.
username	The user name the calendaring service uses to log in to the Microsoft Exchange server.

Feedback Examples

- calendaruser get
returns
calendaruser j polycom

See Also

See the [calendarserver](#) command on page 4-59 to configure the Microsoft Exchange server address used by this service.

calldetail

Displays all call detail records, a specific call detail record, or the call detail range.

Syntax

```
calldetail <"Nth_item" |all>
calldetail range
```

Parameter	Description
"Nth_item"	Displays the Nth call detail record.
all	Displays all call detail records.
range	Displays the range of records in the call detail report.

Feedback Examples

- calldetail 1
 returns
 1, 02/Nov/2008, 16: 34: 34, 02/Nov/2008, 16: 34: 34, 0: 00: 00, ---, Pol
 ycom HDX Demo, 192. 168. 1. 101, ---, h323, 384Kbps, "Pol ycom/HDX
 9004/
 2. 5", Out, 2, 1, ---, ---, ---, termi nal , 192. 168. 1. 101, Si ren22, Si r
 en22,
 H. 264, H. 264, 4SIF, ----, "The call has ended.; Local user
 ini ti ated
 hangup. ", 16, ---, 0. 00, 0. 00, 0. 00, 0. 00, 0, 0, 0, 0, 0, 0, 0
- calldetail range
 returns
 1..29

calldetailreport

Sets or gets whether to generate a report of all calls made with the system.

Syntax

calldetailreport <get|yes|no>

Parameter	Description
get	Returns the current setting.
yes	Turns on call detail reporting.
no	Turns off call detail reporting.

Feedback Examples

- calldetailreport yes
returns
calldetailreport yes
- calldetailreport no
returns
calldetailreport no
- calldetailreport get
returns
calldetailreport no

Comments

calldetailreport no disables both the Call Detail Report and Recent Calls features.

callinfo

Returns information about the current call. If you are in a multipoint call, this command returns one line for each site in the call.

Syntax

```
callinfo all
callinfo callid "callid"
```

Parameter	Description
all	Returns information about each connection in the call.
callid	Returns information about the connection with the specified call ID.

Feedback Examples

- ```
callinfo all
returns
callinfo begin
callinfo: 43: Polycom HDX Demo: 192.168.1.101:384: connected:
notmuted: outgoing: videocal
callinfo: 36: 192.168.1.102:256: connected: muted: outgoing: videocal
callinfo end
```
- ```
callinfo callid 36
returns
callinfo: 36: 192.168.1.102:256: connected: muted: outgoing: videocal
```
- ```
callinfo all
returns
system is not in a call
when no call is currently connected
```

### Comments

The callid information is returned using the following format:

```
callinfo: <callid>: <far site name>: <far site number>: <speed>:
<connection status>: <mute status>: <call direction>: <call type>
```

## callstate

Sets or gets the call state notification for call state events.

### Syntax

callstate <get|register|unregister>

| Parameter  | Description                                                   |
|------------|---------------------------------------------------------------|
| get        | Returns the current setting.                                  |
| register   | Registers the system to give notification of call activities. |
| unregister | Disables the register mode.                                   |

### Feedback Examples

- callstate register  
returns  
callstate registered
- callstate unregister  
returns  
callstate unregistered
- callstate get  
returns  
callstate unregistered

After registering, the following callstate (cs:) data is returned when connecting an IP call:

```
cs: call [34] chan[0] dialstr[192.168.1.103] state[ALLOCATED]
cs: call [34] chan[0] dialstr[192.168.1.103] state[RINGING]
cs: call [34] chan[0] dialstr[192.168.1.103] state[BONDING]
cs: call [34] chan[0] dialstr[192.168.1.103] state[BONDING]
cs: call [34] chan[0] dialstr[192.168.1.103] state[COMPLETE]
active: call [34] speed [384]
```

Note: The [BONDING] responses in IP calls are extraneous text that will be removed in a subsequent software version.

After registering, the following response occurs when disconnecting an IP call:

```
cleared: call [34]
dialstr[IP: 192.168.1.103 NAME: Polycom HDX Demo]
ended: call [34]
```



## See Also

You can also use the [notify](#) command on page [4-263](#) and the [nonotify](#) command on page [4-261](#) for notifications.

For more information about call status messages, refer to [Status Messages](#) command on page [B-1](#) .

## callstats

Returns call summary information.

### Syntax

```
callstats
```

### Feedback Examples

- callstats  
returns  
timeinlastcall 0:02:35  
totalnumberofcalls 23  
totalnumberofipcalls 23  
totaltimeipcalls 2:08:44  
percentageipcalls 100%  
totalnumberofsdncalls 0  
totaltimesdncalls 00:00:00  
percentagesdncalls 0%

## camera

Sets or gets the near-site or far-site camera settings.

### Syntax

```

camera near {1..6}
camera far {1..5}
camera <near|far> move <left|right|up|down|zoom+|zoom-|stop>
camera <near|far> move <continuous|discrete>
camera <near|far> source
camera <near|far> stop
camera near <getposition|setposition "x" "y" "z">
camera near ppcip
camera near tracking statistics
camera near tracking <get|on|off>
camera for-people {2..5}
camera for-content {2..5}
camera list-content
camera <register|unregister>
camera register get

```

| Parameter      | Description                                                                                                                                                                                  |
|----------------|----------------------------------------------------------------------------------------------------------------------------------------------------------------------------------------------|
| near           | Specifies that the command selects or controls the near camera.                                                                                                                              |
| far            | Specifies that the command selects or controls the far camera.                                                                                                                               |
| {1..6}, {1..5} | Specifies a near or far camera as the main video source. <code>camera near 6</code> selects Polycom People+Content™ IP if it is running and connected to the system.                         |
| move           | Changes the near or far camera's direction or zoom. Only continuous and discrete return feedback. Valid directions are: left, right, up, down, zoom+, zoom-, stop, continuous, and discrete. |
| left           | Starts moving the camera left.                                                                                                                                                               |
| right          | Starts moving the camera right.                                                                                                                                                              |
| up             | Starts moving the camera up.                                                                                                                                                                 |
| down           | Starts moving the camera down.                                                                                                                                                               |
| zoom+          | Starts zooming in.                                                                                                                                                                           |
| zoom-          | Starts zooming out.                                                                                                                                                                          |

| Parameter               | Description                                                                                                                                                                                                                                                                                                                                                                                                                                                                                                                         |
|-------------------------|-------------------------------------------------------------------------------------------------------------------------------------------------------------------------------------------------------------------------------------------------------------------------------------------------------------------------------------------------------------------------------------------------------------------------------------------------------------------------------------------------------------------------------------|
| stop                    | Stops the near or far camera when in continuous mode. Returns no feedback.                                                                                                                                                                                                                                                                                                                                                                                                                                                          |
| continuous              | Selects continuous movement mode. The camera moves in direction specified until a camera <near   far> move stop command is sent. This is the default setting.                                                                                                                                                                                                                                                                                                                                                                       |
| discrete                | Selects discrete movement mode. The camera moves a small amount in the direction specified and then stop. No stop command is required.                                                                                                                                                                                                                                                                                                                                                                                              |
| source                  | Returns the number of the near or far camera source currently selected.                                                                                                                                                                                                                                                                                                                                                                                                                                                             |
| getposition             | Gets the pan, tilt, and zoom coordinates of the currently selected PTZ camera in the format of pan tilt zoom.                                                                                                                                                                                                                                                                                                                                                                                                                       |
| setposition "x" "y" "z" | <p>Sets the pan (x), tilt (y), and zoom (z) coordinates of the currently selected PTZ camera. Camera PTZ range:</p> <p>-880 &lt;= pan &lt;= 880<br/> -300 &lt;= tilt &lt;= 300<br/> 0 &lt;= zoom &lt;= 1023</p> <p><b>Notes:</b></p> <p>The camera PTZ range applies to the Polycom EagleEye HD camera. Different cameras might have different PTZ values.</p> <p>Some D30 cameras might not be able to reach the designed range limit. For example, although the pan limit is 880, the camera might only be able to reach 860.</p> |
| ppcip                   | Specifies People+Content IP as the main video source if it is running and connected to the system.                                                                                                                                                                                                                                                                                                                                                                                                                                  |
| for-people {2..5}       | Sets the source for the specified camera to People.                                                                                                                                                                                                                                                                                                                                                                                                                                                                                 |
| for-content {2..5}      | Sets the source for the specified camera to Content.                                                                                                                                                                                                                                                                                                                                                                                                                                                                                |
| list-content            | Gets a list of cameras configured as Content.                                                                                                                                                                                                                                                                                                                                                                                                                                                                                       |
| register                | Registers to receive feedback when the user changes the camera source. Returns the current camera registration state when followed by the get parameter.                                                                                                                                                                                                                                                                                                                                                                            |

| Parameter                | Description                                                                                                                                                                                                                                                                                                                                                                                                         |
|--------------------------|---------------------------------------------------------------------------------------------------------------------------------------------------------------------------------------------------------------------------------------------------------------------------------------------------------------------------------------------------------------------------------------------------------------------|
| unregister               | Unregisters to receive feedback when the user changes the camera source.                                                                                                                                                                                                                                                                                                                                            |
| tracking statistics      | Gets EagleEye Director tracking statistics. Tracking statistics measure: <ul style="list-style-type: none"> <li>the amount of time tracking is turned off divided by the total call time in the most recent 100 calls lasting more than five minutes.</li> <li>the amount of room and close-up view switches divided by the total call time in the most recent 100 calls lasting more than five minutes.</li> </ul> |
| tracking<br><get on off> | Enables or disables the Polycom EagleEye Director tracking feature. on turns the tracking feature on, off turns the tracking feature off, and get returns the current tracking feature setting.                                                                                                                                                                                                                     |

## Feedback Examples

- camera far 2  
specifies camera 2 at the far-site and returns  
camera far 2
- camera far move left  
causes the far-site camera to start panning to the left and returns  
event: camera far move left
- camera near move zoom+  
causes the near-site camera to zoom in and returns  
event: camera near move zoom+
- camera register  
returns  
camera registered
- camera unregister  
returns  
camera unregistered
- camera near tracking statistics  
returns  
EagleEye Director Tracking Statistics begin  
Tracking Disable Percentage: 3%  
View Switching Frequency (Per Hour): 50  
EagleEye Director Tracking Statistics end
- camera near tracking off  
returns  
camera near tracking off

- camera near tracking on  
returns  
camera near tracking on
- camera near tracking get  
returns  
camera near tracking Voice

### Comments

If the camera near {1..6} API command is used for an input configured as content, the command becomes a toggle. You must send the command once to send the content source and a second time to stop the content source. The camera near 6 command and the camera near ppcip command provide the same functionality.

The camera register command does not return local camera movements if the camera is moved using the remote control or the web interface.

## cameradirection

Sets or gets the camera pan direction.

### Syntax

cameradi recti on <get|normal |reversed>

| Parameter | Description                                                                                                                                  |
|-----------|----------------------------------------------------------------------------------------------------------------------------------------------|
| get       | Returns the current setting.                                                                                                                 |
| normal    | Sets the direction of the camera to normal; the camera moves in the same direction as the left and right arrows on the remote control.       |
| reversed  | Sets the direction of the camera to reversed; the camera moves in the opposite direction of the left and right arrows on the remote control. |

### Feedback Examples

- cameradi recti on normal  
returns  
cameradi recti on normal
- cameradi recti on reversed  
returns  
cameradi recti on reversed
- cameradi recti on get  
returns  
cameradi recti on reversed

## camerainput

Sets or gets the format for a video source.

### Syntax

```
camerainput <1|2|3> <get|s-video|composite|component>
```

```
camerainput <4|5> <get|dvi|vga>
```

| Parameter | Description                                                                          |
|-----------|--------------------------------------------------------------------------------------|
| <1..5>    | Specifies the video source. camerainput 5 is available only on the Polycom HDX 9004. |
| get       | Returns the current setting.                                                         |
| s-video   | Specifies that the video source is connected using S-Video.                          |
| composite | Specifies that the video source is connected using a composite connector.            |
| component | Specifies that the video source is connected using a component connector.            |
| dvi       | Specifies that the video source is connected using DVI.                              |
| vga       | Specifies that the video source is connected using VGA.                              |

### Feedback Examples

- ```
camerainput 1 composite
returns
camerainput 1 component
```
- ```
camerainput 2 s-video
returns
camerainput 2 s-video
```
- ```
camerainput 2 get
returns
camerainput 2 s-video
```
- ```
camerainput 3 dvi
returns
camerainput 3 dvi
```
- ```
camerainput 4 vga
returns
camerainput 4 vga
```


chaircontrol

Sends various chair control commands while the system is in a multipoint call.

Syntax

```
chaircontrol end_conf
chaircontrol hangup_term "term_no"
chaircontrol list
chaircontrol rel_chair
chaircontrol <register|unregister>
chaircontrol req_chair
chaircontrol req_floor
chaircontrol req_term_name "term_no"
chaircontrol req_vas
chaircontrol set_broadcaster "term_no"
chaircontrol set_term_name "term_no" "term_name"
chaircontrol stop_view
chaircontrol view "term_no"
chaircontrol view_broadcaster
```

Parameter	Description
end_conf	Ends the call and returns the same feedback as hangup_term for each site in the call.
hangup_term "term_no"	Disconnects the specified site from the call.
list	Lists the sites in the call.
rel_chair	Releases the chair.
register	Registers to receive feedback on all chair control operations.
unregister	Unregisters (stops feedback on all chair control operations).
req_chair	Requests the chair.
req_floor	Requests the floor.
req_term_name "term_no"	Requests the name for the specified terminal number.
req_vas	Requests voice-activated switching.
set_broadcaster "term_no"	Requests the specified terminal to become the broadcaster.

Parameter	Description
set_term_name "term_no" "term_name"	Sets the name for the specified terminal number.
stop_view	Stops viewing the specified terminal.
view "term_no"	Views the specified terminal.
view_broadcaster	Views the broadcaster.

Feedback Examples

- ```
chaircontrol rel_chair
returns
chaircontrol rel_chair granted
chaircontrol view 1.1 granted
```
- ```
chaircontrol req_vas
returns
chaircontrol req_vas granted
chaircontrol view 1.1 granted
```
- ```
chaircontrol hangup_term 1.4
returns
chaircontrol del_term 1.4
chaircontrol terminal 1.4 left conference
cleared: call[34]
dialstring[IP: 192.168.1.101 NAME: Polycom HDX Demo]
ended: call[34]
```

### Comments

Terminal numbers are set by the MCU and are of the form x.y where x is the MCU and y is the participant.

You only need to enclose a parameter in quotes if it contains a space.

## clientvalidatepeer

Enables certificate validation by specifying whether the HDX system requires the server to present a valid certificate when the server makes secure connections for services such as provisioning, directory search, and session initiation protocol (SIP) calling.

### Syntax

```
clientvalidatepeer get
clientvalidatepeer <yes|no>
```

| Parameter | Description                                                      |
|-----------|------------------------------------------------------------------|
| get       | Returns the peer certificate validation setting for client.      |
| yes       | Enables the peer certificate validation requirement for client.  |
| no        | Disables the peer certificate validation requirement for client. |

### Feedback Examples

- clientvalidatepeer get  
returns  
clientvalidatepeer no
- clientvalidatepeer yes  
returns  
clientvalidatepeer yes

## cmdecho

Turns command echoing on or off.

### Syntax

cmdecho <on|off>

| Parameter | Description                                                                   |
|-----------|-------------------------------------------------------------------------------|
| on        | Turns on command echoing so that everything you type is echoed on the screen. |
| off       | Turns off command echoing so that nothing you type is echoed on the screen.   |

### Feedback Examples

- cmdecho on  
returns  
cmdecho on
- cmdecho off  
returns  
cmdecho off

### Comments

This setting defaults to on every time the system powers up. You might want to turn off command echoing when sending batches of commands (in an init script) to simplify the output.

## colorbar

Turns the video diagnostics color bars on or off.

### Syntax

```
col orbar <on|off>
```

| Parameter | Description                           |
|-----------|---------------------------------------|
| on        | Turns on the color bar test pattern.  |
| off       | Turns off the color bar test pattern. |

### Feedback Examples

- col orbar on  
returns  
col orbar on
- col orbar off  
returns  
col orbar off

## configchange (deprecated)

Sets or gets the notification state for configuration changes. This command has been deprecated.

### Syntax

configchange <get|register|unregister>

| Parameter  | Description                                                                     |
|------------|---------------------------------------------------------------------------------|
| get        | Returns the current setting.                                                    |
| register   | Registers to receive notifications when configuration variables have changed.   |
| unregister | Unregisters to receive notifications when configuration variables have changed. |

### Feedback Examples

- configchange register  
returns  
configchange registered
- configchange unregister  
returns  
configchange unregistered
- configchange get  
returns  
configchange unregistered

# configdisplay

Sets or gets the video format, aspect ratio and resolution for Monitor 1 or Monitor 2.

## Syntax

```
configdisplay [<monitor1|monitor2>] get
configdisplay <monitor1|monitor2>
<component|vga|dvi|composite|s_video> <4:3|16:9>
configdisplay <monitor1|monitor2>
<component|vga|dvi|composite|s_video> <4:3|16:9> [<720p|1080i|1080p>]
[<50hz720p|60hz720p|50hz1080i|60hz1080i|50hz1080p|60hz1080p>]
configdisplay monitor2 off
```

| Parameter | Description                                                                                                                                                                        |
|-----------|------------------------------------------------------------------------------------------------------------------------------------------------------------------------------------|
| get       | Returns the current setting.                                                                                                                                                       |
| monitor1  | Specifies Monitor 1.                                                                                                                                                               |
| monitor2  | Specifies Monitor 2.                                                                                                                                                               |
| s_video   | Sets the specified display to S-Video format.                                                                                                                                      |
| composite | Sets the specified display to Composite format.                                                                                                                                    |
| vga       | Sets the specified display to VGA format.                                                                                                                                          |
| dvi       | Sets the specified display to DVI format.                                                                                                                                          |
| component | Sets the specified display to Component format.                                                                                                                                    |
| 4:3       | Sets the display aspect ratio to 4:3 (standard).                                                                                                                                   |
| 16:9      | Sets the display aspect ratio to 16:9 (wide screen).                                                                                                                               |
| 720p      | Sets the resolution to 1280x720p, 50-60 Hz (refresh rate determined by whether unit is PAL or NTSC, respectively). For monitors with Component format and 16:9 aspect ratio only.  |
| 1080i     | Sets the resolution to 1920x1080i, 50-60 Hz (refresh rate determined by whether unit is PAL or NTSC, respectively). For monitors with Component format and 16:9 aspect ratio only. |
| 1080p     | Sets the resolution to 1920x1080p, 50-60 Hz (refresh rate determined by whether unit is PAL or NTSC, respectively). For monitors with Component format and 16:9 aspect ratio only. |
| 50hz720p  | Sets the resolution to 1280x720p, 50 Hz (PAL systems-only). For monitors with Component format and 16:9 aspect ratio only.                                                         |

| Parameter | Description                                                                                                                                    |
|-----------|------------------------------------------------------------------------------------------------------------------------------------------------|
| 60hz720p  | Sets the resolution to 1280x720p, 60 Hz (NTSC systems-only). For DVI and VGA formats with a 16:9 aspect ratio only.                            |
| 50hz1080i | Sets the resolution to 1920x1080i, 50 Hz (DVI-only, PAL systems-only). For DVI and VGA formats with a 16:9 aspect ratio only.                  |
| 60hz1080i | Sets the resolution to 1920x1080i, 60 Hz (DVI-only, NTSC systems-only). For DVI and VGA formats with a 16:9 aspect ratio only.                 |
| 50hz1080p | Sets the resolution to 1920x1080p, 50 Hz (PAL systems-only). For DVI and VGA formats with a 16:9 aspect ratio only.                            |
| 60hz1080p | Sets the resolution to 1920x1080p, 60 Hz (NTSC systems-only). This setting is available for DVI and VGA formats with a 16:9 aspect ratio only. |
| off       | Sets Monitor 2 to off.                                                                                                                         |

### Feedback Examples

- ```

confi gdi spl ay get
returns
confi gdi spl ay moni tor1 dvi 16:9 moni tor2 vga 16:9

```
- ```

confi gdi spl ay moni tor2 get
returns
confi gdi spl ay moni tor2 vga 16:9

```
- ```

confi gdi spl ay moni tor2 vga 4.3
returns
confi gdi spl ay moni tor2 vga 4.3

```
- ```

confi gdi spl ay moni tor1 dvi 16:9 60hz1080p
returns
confi gdi spl ay moni tor1 dvi 16:9 60hz1080p

```



## configparam

Sets or gets the video quality setting for the specified video input for motion or sharpness.

### Syntax

```
configparam <"parameter"> get
configparam <"parameter"> set <"value">
```

| Parameter                       | Possible Values  | Description                                                                                                                   |
|---------------------------------|------------------|-------------------------------------------------------------------------------------------------------------------------------|
| camera_videquality<br><1 2 3 4> | motion sharpness | Sets or gets the video quality setting for the specified video input for motion or for sharpness (for images without motion). |

### Feedback Examples

- ```
configparam camera_videquality 1 set motion
returns
camera1_videquality motion
```

configpresentation

Sets or gets the content presentation settings for Monitor 1 or Monitor 2.

Syntax

```

configpresentation get
configpresentation <monitor1|monitor2> get
configpresentation monitor1 <near|far|content|near-or-far|
content-or-near|content-or-far|all|none>
configpresentation monitor2 <near|far|content|near-or-far|
content-or-near|content-or-far|all|none>
configpresentation monitor1 "value" monitor2 "value"

```

Parameter	Description
get	Returns the current settings for the active monitors.
monitor1	Specifies settings for Monitor 1.
monitor2	Specifies settings for Monitor 2.
near	Selects near-site video as the video source to display on the specified monitor.
far	Selects far-site video as the video source to display on the specified monitor.
content	Selects content as the video source to display on the specified monitor.
near-or-far	Selects both near-site and far-site video as video sources to display on the specified monitor.
content-or-near	Selects both near-site video and content as video sources to display on the specified monitor.
content-or-far	Selects both content and far-site video as video sources to display on the specified monitor.
all	Selects content, near-site video, and far-site video as video sources for the specified monitor.
none	Clears all video sources for the specified monitor.
"value"	Sets presentation mode for both monitors.

Feedback Examples

- `config presentation monitor1 get`
returns
`config presentation monitor1:all`
- `config presentation monitor2 get`
returns
`config presentation monitor2:near-or-far`
- `config presentation monitor2 far`
returns
error: configuration not applied since monitor2 is off
when Monitor 2 is off

confirmdiradd

Sets or gets the configuration for prompting users to add directory entries for the far sites when a call disconnects.

Syntax

```
confi rmdi radd <get|yes|no>
```

Parameter	Description
get	Returns the current setting.
yes	When a call disconnects, the user is prompted to create a local directory entry for the far site if it is not already in the directory.
no	The user is not prompted to create a local directory entry after a call disconnects.

Feedback Examples

- confi rmdi radd no
returns
confi rmdi radd no
- confi rmdi radd yes
returns
confi rmdi radd yes
- confi rmdi radd get
returns
confi rmdi radd yes

confirmdirdel

Sets or gets the configuration for requiring users to confirm directory deletions.

Syntax

```
confi rmdi rdel <get|yes|no>
```

Parameter	Description
get	Returns the current setting.
yes	When deleting an entry from the directory (address book), the user is prompted with "Are you sure you want to delete this entry?"
no	When deleting an entry from the directory (address book), the user is not prompted with a message.

Feedback Examples

- confi rmdi rdel no
returns
confi rmdi rdel no
- confi rmdi rdel yes
returns
confi rmdi rdel yes
- confi rmdi rdel get
returns
confi rmdi rdel yes

contentauto

Sets or gets the automatic bandwidth adjustment for people and content in point-to-point H.323 calls. Automatic adjustment maintains equal image quality in the two streams.

Syntax

contentauto <get|on|off>

Parameter	Description
get	Returns the current setting.
on	Enables automatic bandwidth adjustment for people and content.
off	Disables automatic bandwidth adjustment for people and content. The system Quality Preference settings is used instead.

Feedback Examples

- contentauto off
returns
contentauto off
- contentauto on
returns
contentauto on
- contentauto get
returns
contentauto on

contentsplash

Enables or disables the splash screen display on content monitors.

Syntax

contentspl ash <get|yes|no>

Parameter	Description
get	Returns the current setting.
yes	Turns on the content splash screen.
no	Turns off the content splash screen.

Feedback Examples

- contentspl ash get
returns
contentspl ash yes
- contentspl ash yes
returns
contentspl ash yes
- contentspl ash no
returns
contentspl ash no

Comments

The splash screen displays a Polycom logo on content-only displays when neither the near end nor the far end is sending content, and when the Polycom HDX system is not in sleep mode.

By default, the content splash value is set to yes.

When the content splash value is set to no, black video or no signal is sent to the monitor, depending on the screen saver output configured for the monitor.

The content splash setting is persistent across the power cycle.

See Also

[monitor1screensaveroutput](#) command on page 4-247 and [monitor2screensaveroutput](#) command on page 4-249.

contentvideoadjustment

Sets or gets the content video adjustment setting.

Syntax

contentvideoadjustment <get|normal|stretch|zoom>

Parameter	Description
get	Returns the current setting.
normal	Preserves the aspect ratio of the source video. The image is scaled (if necessary) to the largest supported resolution that fits on the display without cropping.
stretch	Does not preserve aspect ratio. The image is scaled horizontally and vertically to exactly match the resolution of the display.
zoom	Preserves the aspect ratio of the source video. The image is scaled to exactly match one of the display dimensions while matching or exceeding the other display dimension. The image is centered and cropped.

Feedback Examples

- ```
contentvideoadjustment zoom
returns
contentvideoadjustment zoom
```
- ```
contentvideoadjustment stretch
returns
contentvideoadjustment stretch
```
- ```
contentvideoadjustment normal
returns
contentvideoadjustment normal
```
- ```
contentvideoadjustment get
returns
contentvideoadjustment normal
```


country

Gets the country setting for the system.

Syntax

```
country get
```

Parameter	Description
get	Returns the current setting.

Feedback Examples

- country get
returns
country "uni ted states"

cts

Sets or gets the CTS serial interface control signal (clear to send) configuration. This command is only applicable if you have a V.35 network interface connected to your system.

Syntax

```
cts <get|normal|i nverted|i gnore>
```

Parameter	Description
get	Returns the current setting.
normal	Sets the signal to normal (high voltage is logic 1).
i nverted	Sets the signal to inverted (low voltage is logic 1).
i gnore	Ignores the signal.

Feedback Examples

- cts normal
returns
cts normal
- cts i nverted
returns
cts i nverted
- cts get
returns
cts i nverted

Comments

The default setting for this signal is "normal".

daylightsavings

Sets or gets the daylight savings time setting. When you enable this setting, the system clock automatically changes for daylight saving time.

Syntax

dayl i ghtsavi ngs <get|yes|no>

Parameter	Description
get	Returns the current setting.
yes	Enables automatic adjustment for daylight savings time.
no	Disables automatic adjustment for daylight savings time.

Feedback Examples

- dayl i ghtsavi ngs no
returns
dayl i ghtsavi ngs no
- dayl i ghtsavi ngs yes
returns
dayl i ghtsavi ngs yes
- dayl i ghtsavi ngs get
returns
dayl i ghtsavi ngs yes

dcd

Sets the configuration for the DCD serial interface control signal (data carrier detect). This command is only applicable if you have a V.35 network interface connected to your system.

Syntax

```
dcd <normal | i nverted>
```

Parameter	Description
normal	Sets the signal to normal (high voltage is logic 1).
i nverted	Sets the signal to inverted (low voltage is logic 1).

Feedback Examples

- dcd normal
returns
dcd normal
- dcd i nverted
returns
dcd i nverted

Comments

The default setting for this signal is "normal".

dcdfilter

Sets or gets the filter setting of the DCD serial interface control signal (data carrier detect). This command is only applicable if you have a V.35 network interface connected to your system.

Syntax

```
dcdfilter <get|on|off>
```

Parameter	Description
get	Returns the current setting.
on	Enables the DCD filter.
off	Disables the DCD filter.

Feedback Examples

- dcdfilter on
returns
dcdfilter on
- dcdfilter off
returns
dcdfilter off
- dcdfilter get
returns
dcdfilter off

Comments

When this filter is enabled, DCD drops for 60 seconds before changing the call state. The default setting for this signal is "off".

defaultgateway

Sets or gets the default gateway.

Syntax

```
default tgateway get  
default tgateway set "xxx. xxx. xxx. xxx"
```

Parameter	Description
get	Returns the default gateway IP address.
set	Sets the default gateway when followed by the "xxx. xxx. xxx. xxx" parameter.
"xxx. xxx. xxx. xxx"	IP address to use as the default gateway.

Feedback Examples

- default tgateway set 192.168.1.101
returns
default tgateway 192.168.1.101

Comments

This setting can only be changed if DHCP is turned off. After making a change, you must restart the system for the setting to take effect.

destunreachabletx

Sets or gets the system's ability to generate a Destination Unreachable ICMP message in response to a packet that cannot be delivered to its destination for reasons other than congestion.

Syntax

```
destunreachabl etx <yes|no>
```

Parameter	Description
get	Returns the current setting.
yes	Enables the system's ability to generate a destination unreachable ICMP message in response to a packet that cannot be delivered to its destination for reasons other than congestion.
no	Disables the system's ability to generate a destination unreachable ICMP message in response to a packet that cannot be delivered to its destination for reasons other than congestion.

Feedback Examples

- destunreachabl etx
returns
destunreachabl etx no
- destunreachabl etx yes
returns
destunreachabl etx yes

Comments

This setting is applicable for both IPv4 and IPv6 configurations. After making a change, you must restart the system for the setting to take effect.

See Also

[icmpoutpacketrates](#) on page 4-196.

dhcp

Sets or gets DHCP options.

Syntax

dhcp <get|off|client>

Parameter	Description
get	Returns the selected DHCP option.
off	Disables DHCP.
client	Enables DHCP client, setting the system to obtain an IP address from a server on your network.

Feedback Examples

- dhcp off
returns
dhcp off
- dhcp client
returns
dhcp client
- dhcp get
returns
dhcp client

Comments

After making a change, you must restart the system for the setting to take effect.

dial

Dials video or audio calls either manually or from the directory.

Syntax

```

di al addressbook "addr book name"
di al auto "speed" "di al str"
di al manual <56|64> "di al str1" "di al str2" [h320]
di al manual "speed" "di al str1" ["di al str2"] [h323|h320|i p|i sdn|si p]
di al phone "di al string"
di al phone <pots|i sdn_phone|si p_speakerphone> "di al string"

```

Parameter	Description
addressbook	Dials a directory (address book) entry. Requires the name of the entry.
"addr book name"	The name of the directory (address book) entry. The name may be up to 25 characters. Use quotation marks around strings that contain spaces. For example: "John Doe".
auto	Dials a video call number dialstr1 at speed of type h323 or h320. Requires the parameters "speed" and "dialstr". Allows the user to automatically dial a number. The system first attempts H.323 and if that fails, rolls over to H.320. Deprecated. Instead of this command, Polycom recommends using di al manual and not specifying a call type.
"speed"	Valid data rate for the network.
"di al str", "di al str1", "di al str2"	Valid ISDN or IP directory number.
manual	Dials a video call number dialstr1 at speed of type h323 or h320. Requires the parameters "speed" and "dialstr1". Use di al manual "speed" "di al str" "type" when you do not want automatic call rollover or when the dialstring might not convey the intended transport (for example, an extension with an IP gateway might look like an ISDN number, but in fact corresponds to an IP address).
56 64	Specifies speed for two-channel calls.
h323 h320 i p i sdn si p	Type of call. Note: The parameters i p and i sdn are deprecated.

Parameter	Description
phone	Dials an analog phone number.
pots isdn_phone sip_speakerphone	Specify to dial pots, ISDN or SIP call.
"dialstring"	Numeric string specifying the phone number to dial. Enclose the string in quotation marks if it includes spaces. Example: "512 555 1212"

Feedback Examples

- dial manual 64 5551212 h320
 returns
 dialing manual
- If registered for callstate notifications (callstate register), the API returns
 cs: call[44] chan[0] dialstr[5551212] state[ALLOCATED]
 cs: call[44] chan[0] dialstr[5551212] state[RINGING]
 cs: call[44] chan[0] dialstr[5551212] state[CONNECTED]
 cs: call[44] chan[0] dialstr[5551212] state[CONNECTED]
 cs: call[44] chan[0] dialstr[5551212] state[COMPLETE]
 cs: call[44] chan[0] dialstr[5551212] state[COMPLETE]
 active: call[44] speed[64]
- dial addressbook "John Polycom"
 returns
 dialing addressbook "John Polycom"
- dial phone pots 123456
 returns
 dialing pots
- dial phone isdn_phone 123456
 returns
 dialing isdn_phone
- dial phone sip_speakerphone 123456
 returns
 dialing sip_speakerphone
- If registered for callstate notifications (callstate register), the API returns
 cs: call[44] chan[0] dialstr[192.168.1.101] state[ALLOCATED]
 cs: call[44] chan[0] dialstr[192.168.1.101] state[RINGING]
 cs: call[44] chan[0] dialstr[192.168.1.101] state[BONDING]
 cs: call[44] chan[0] dialstr[192.168.1.101] state[BONDING]
 cs: call[44] chan[0] dialstr[192.168.1.101] state[COMPLETE]
 active: call[44] speed[384]

Notes: The [BONDING] responses in IP calls are extraneous text

that will be removed in a subsequent software version.

Call ID (call [44]) is an example of the response. The Call ID number depends upon the call type.

- If registered for call status notifications (notify callstatus), the API returns,


```
notification: call status: outgoing: 45: null
1: : opened: : 0: videocal
notification: call status: outgoing: 45: Polycom Austin:
192.168.1.101: connecting: 384: 0: videocal
notification: call status: outgoing: 45: Polycom Austin:
192.168.1.101: connected: 384: 0: videocal
```

Note: The call ID number (45) is an example of the response. The Call ID number depends upon the call type.

Comments

When searching for feedback from the dial command, expect to see the set of described strings as many times as there are channels in the call.

When initiating a multipoint call or adding multiple sites to a multipoint call over ISDN, you must be sure that the total call rate does not exceed the bandwidth of the ISDN interface. Otherwise, one of the calls may not connect.

For example, the total ISDN bandwidth for a T1 line is 1544 kbit/s. Thus, making the following five calls in succession violates the ISDN bandwidth rule, because the total ISDN bandwidth would require 1920 kbit/s ($1920 = 384 * 5$), and one of the calls may not connect:

- dial manual 384 5551212
dial manual 384 5561212
dial manual 384 5571212
dial manual 384 5581212
dial manual 384 5591212

Similarly, making the following two calls in a multipoint call where sites 1, 2, and 3 are already connected at 256 kbits/s each violates the ISDN bandwidth rule. This is because the total ISDN bandwidth required becomes 1792 kbits/s ($1792 = 256 * 3 + 512 * 2$), and one of these two new calls may not connect:

- dial manual 512 5581212
dial manual 512 5591212

Note: The ISDN bandwidth rule is not applicable to IP calls and only applies when multiple ISDN dial commands are issued in succession without waiting for the active call notification (i.e., active: call[36] speed[128]) between dial commands. Adding single calls to a multipoint call and then waiting for the active call notification does not break the rule, because the system downspeeds calls to meet the required ISDN bandwidth limitations.

See Also

Refer to the [callstate](#) command on page [4-66](#). You can use callstate register to obtain updated information on the status of a call. For example, when using the dial manual to place a call, callstate register can tell you when the call is connected.

dialchannels

Sets or gets whether to dial ISDN channels in parallel. This command is only applicable if you have an ISDN network interface connected to your system.

Syntax

```
di al channel s get  
di al channel s set n
```

Parameter	Description
get	Returns the current setting.
set	Sets the number of channels to dial.
n	Sets the number of channels to dial. n is 8 for QBRI, 12 for PRI.

Feedback Examples

- di al channel s set 8
returns
di al channel s 8
- di al channel s get
returns
di al channel s 8

diffservaudio, diffservfecc, diffservvideo

Sets or gets the DiffServ option and specifies a priority level for audio, far-end camera control (FECC) and other call control channels, and video, respectively. The priority level value for each can be between 0 and 63.

Syntax

```
di ffservaudi o get
di ffservaudi o set {0..63}
di ffservfecc get
di ffservfecc set {0..63}
di ffservvi deo get
di ffservvi deo set {0..63}
```

Parameter	Description
get	Returns the current setting.
set	Sets the command. A priority level in the range {0..63} is required.
{0..63}	Specifies the priority level.

Feedback Examples

- di ffservaudi o set 2
returns
di ffservaudi o 2
- di ffservaudi o get
returns
di ffservaudi o 2

Comments

The `diffservfecc` command is equivalent to the `Control` setting in the user interface.

If the `typeofservice` command on page 4-444 is set to `i p`-precedence rather than `to di ffserv`, these commands are not applicable.

directory

Sets or gets whether the **Directory** button appears on the Home screen.

Syntax

```
di rectory <get|yes|no>
```

Parameter	Description
get	Returns the current setting.
yes	Displays the Directory button on the Home screen.
no	Removes the Directory button from the Home screen.

Feedback Examples

- di rectory yes
returns
di rectory yes
- di rectory no
returns
di rectory no
- di rectory get
returns
di rectory no

display (deprecated)

Displays information about the current call or the system. With the implementation of the [callinfo](#) command on page 4-65 and [whoami](#) command on page 4-480, this command has been deprecated.

Syntax

```
display call
display whoami
```

Parameter	Description
call	Displays the following information about the current call: call ID, status, speed, the number to which this system is connected.
whoami	Returns information about the current system.

Feedback Examples

- ```
display call
returns
Call ID Status SpeedDialed Num

34CM_CALLINFO_CONNECTED 384192.168.1.101
```
- ```
display whoami
returns
Hi, my name is: Polycom HDX Demo
Here is what I know about myself:
Model: HDX9004
Serial Number: 82065205E72EC1
Software Version: Release 2.5 - 30Nov2008 11:30
Build Information: root on domain.polycom.com
FPGA Revision: 4.3.0
Main Processor: BSP15
Time In Last Call: 0:43:50
Total Time In Calls: 87:17:17
Total Calls: 819
SNTP Time Service: auto insync ntp1.polycom.com
Local Time is: Wed, 30 Nov 2008
Network Interface: NONE
IP Video Number: 192.168.1.101
ISDN Video Number: 7005551212
MP Enabled: True
H.323 Enabled: True
```


FTP Enabled: True
HTTP Enabled: True
SNMP Enabled: True

displayglobaladdresses

Sets or gets the display of global addresses in the global directory.

Syntax

di spl aygl obal addresses <get|yes|no>

Parameter	Description
get	Returns the current setting.
yes	Enables the display of global addresses.
no	Disables the display of global addresses.

Feedback Examples

- di spl aygl obal addresses yes
returns
di spl aygl obal addresses yes
- di spl aygl obal addresses no
returns
di spl aygl obal addresses no
- di spl aygl obal addresses get
returns
di spl aygl obal addresses no

displaygraphics

Sets or gets the display of graphic icons while in a call.

Syntax

```
di spl aygraphi cs <get|yes|no>
```

Parameter	Description
get	Returns the current setting.
yes	Enables the display of graphic icons.
no	Disables the display of graphic icons.

Feedback Examples

- di spl aygraphi cs yes
returns
di spl aygraphi cs yes
- di spl aygraphi cs no
returns
di spl aygraphi cs no
- di spl aygraphi cs get
returns
di spl aygraphi cs no

displayipext

Sets or gets the display of the IP extension field. This extension is needed when placing a call through a gateway.

Syntax

```
di spl ayi pext <get|yes|no>
```

Parameter	Description
get	Returns the current setting.
yes	Enables the display of the IP extension.
no	Enables the display of the IP extension.

Feedback Examples

- di spl ayi pext yes
returns
di spl ayi pext yes
- di spl ayi pext no
returns
di spl ayi pext no
- di spl ayi pext get
returns
di spl ayi pext no

Comments

When this option is selected, the extension field is visible on the Home screen.

displayipisdninfo (deprecated)

Sets or gets the display of IP and ISDN information on the Home screen. This command has been deprecated. Polycom recommends using the [ipisdninfo](#) command on page 4-207.

Syntax

```
displayipisdninfo <yes|no|both|ip-only|isdn-only|none|get>
```

Parameter	Description
yes	Enables the display of both IP and ISDN information. Provides feedback both.
no	Disables the display of IP and ISDN information. Provides feedback none.
both	Enables the display of both IP and ISDN information.
ip-only	Enables the display of IP information.
isdn-only	Enables the display of ISDN information.
none	Disables the display of IP and ISDN information.
get	Returns the current setting.

Feedback Examples

- ```
displayipisdninfo yes
returns
displayipisdninfo both
```
- ```
displayipisdninfo no
returns
displayipisdninfo none
```
- ```
displayipisdninfo ip-only
returns
displayipisdninfo ip-only
```
- ```
displayipisdninfo get
returns
displayipisdninfo ip-only
```

displayparams

Outputs a list of system settings.

Syntax

```
displayparams
```

Feedback Examples

- ```
displayparams
returns
systemname Polycom HDX Demo
hostname <empty>
ipaddress 192.168.1.101
version "2.5"
serialnum 82065205E72EC1
displaygraphics no
vgaresolution 60hz1280x720
vgaphase 32
numberofmonitors 2
monitor1 16:9
monitor2 16:9
vgahorizpos 128
vgavertpos 128
cameradiirection normal
farcontrolnearcamera yes
primarycamera 1
backlightcompensation no
telccountrycode <empty>
telcarecode <empty>
telnumber <empty>
roomphonenumber <empty>
echocancelled no
echocancelledwhite no
muteautoanswer yes
vcraudioout no
vcrrecordsource content-or-auto
redlineinput vcr
whitelineinput vcr
redlinelevel 5
whitelinelevel 5
lineoutputs monitor
lineoutputslevel 5
mpmode auto
sleeptime 1
sleepertext <empty>
rs232 mode camera_ptz
```

```
rs232 baud 9600
rs232port1 mode camera_ptz
rs232port1 baud 9600
```

## dns

Sets or gets the configuration for up to four DNS servers.

### Syntax

```
dns get {1..4}
```

```
dns set {1..4} "xxx.xxx.xxx.xxx"
```

| Parameter         | Description                                                                                                                                          |
|-------------------|------------------------------------------------------------------------------------------------------------------------------------------------------|
| get               | Returns the current IP address of the specified server. A server identification number {1..4} is required.                                           |
| {1..4}            | Specifies the server identification number.                                                                                                          |
| set               | Sets the IP address of the specified DNS server when followed by the "xxx.xxx.xxx.xxx" parameter. A server identification number {1..4} is required. |
| "xxx.xxx.xxx.xxx" | Specifies the IP address for the specified server.                                                                                                   |

### Feedback Examples

- dns set 1 192.168.1.205  
returns  
dns 1 192.168.1.205

### Comments

After making a change, you must restart the system for the setting to take effect. These values cannot be set if the system is in DHCP client mode.



## dsr

Sets or gets the configuration of the DSR serial interface control signal (data set ready). This command is only applicable if you have a V.35 network interface connected to your system.

### Syntax

```
dsr <get|normal|i nverted>
```

| Parameter | Description                                           |
|-----------|-------------------------------------------------------|
| get       | Returns the current setting.                          |
| normal    | Sets the signal to normal (high voltage is logic 1).  |
| i nverted | Sets the signal to inverted (low voltage is logic 1). |

### Feedback Examples

- dsr normal  
returns  
dsr normal
- dsr i nverted  
returns  
dsr i nverted
- dsr get  
returns  
dsr i nverted

### Comments

The default setting for this signal is "normal".

## dswers

Sets or gets the configuration of the DSR serial interface control signal to indicate an incoming call. This command is only applicable if you have a V.35 network interface connected to your system.

### Syntax

dswers <get|on|off>

| Parameter | Description                  |
|-----------|------------------------------|
| get       | Returns the current setting. |
| on        | Turns on the option.         |
| off       | Turns off the option.        |

### Feedback Examples

- dswers on  
returns  
dswers on
- dswers off  
returns  
dswers off
- dswers get  
returns  
dswers off

## dtr

Sets or gets the configuration of the DTR serial interface control signal (data terminal ready). This command is only applicable if you have a V.35 network interface connected to your system.

### Syntax

```
dtr <get|normal|i nverted|on>
```

| Parameter | Description                                                                         |
|-----------|-------------------------------------------------------------------------------------|
| get       | Returns the current setting.                                                        |
| normal    | Sets the signal to normal (high voltage is logic 1).                                |
| i nverted | Sets the signal to inverted (low voltage is logic 1).                               |
| on        | Sets constant high voltage. If this option is selected, i nverted is not an option. |

### Feedback Examples

- dtr normal  
returns  
dtr normal
- dtr i nverted  
returns  
dtr i nverted
- dtr on  
returns  
dtr on
- dtr get  
returns  
dtr on

### Comments

The default setting for the signal is "normal".

## dualmonitor

Sets or gets whether video is displayed using dual monitor emulation, or split-screen mode, when using one monitor.

### Syntax

dual monitor <get|yes|no>

| Parameter | Description                      |
|-----------|----------------------------------|
| get       | Returns the current setting.     |
| yes       | Enables dual monitor emulation.  |
| no        | Disables dual monitor emulation. |

### Feedback Examples

- dual monitor yes  
returns  
dual monitor yes
- dual monitor no  
returns  
dual monitor no
- dual monitor get  
returns  
dual monitor no

## dynamicbandwidth

Sets or gets the use of dynamic bandwidth allocation for Quality of Service.

### Syntax

```
dynami cbandwi dth <get|yes|no>
```

| Parameter | Description                            |
|-----------|----------------------------------------|
| get       | Returns the current setting.           |
| yes       | Enables the dynamic bandwidth option.  |
| no        | Disables the dynamic bandwidth option. |

### Feedback Examples

- `dynami cbandwi dth yes`  
returns  
`dynami cbandwi dth yes`
- `dynami cbandwi dth no`  
returns  
`dynami cbandwi dth no`
- `dynami cbandwi dth get`  
returns  
`dynami cbandwi dth no`

### Comments

The system's dynamic bandwidth function automatically finds the optimum line speed for a call. If you experience excessive packet loss while in a call, the dynamic bandwidth function decrements the line speed until there is no packet loss. This is supported in calls with end points that also support dynamic bandwidth.

## e164ext

Sets or gets an H.323 (IP) extension, also known as an E.164 name.

### Syntax

```
e164ext get
e164ext set "e. 164name"
```

| Parameter    | Description                                                                                                            |
|--------------|------------------------------------------------------------------------------------------------------------------------|
| get          | Returns the current setting.                                                                                           |
| set          | Sets the E.164 extension when followed by the "e. 164name" parameter. To erase the current setting, omit "e. 164name". |
| "e. 164name" | A valid E.164 extension (usually a four-digit number).                                                                 |

### Feedback Examples

- e164ext set  
returns  
e164ext <empty>
- e164ext set 7878  
returns  
e164ext 7878
- e164ext get 7878  
returns  
e164ext 7878

### Comments

The extension number is associated with a specific LAN device.

## echo

Prints "string" back to the API client screen.

### Syntax

```
echo "string"
```

| Parameter | Description                       |
|-----------|-----------------------------------|
| "string"  | Text to be printed to the screen. |

### Feedback Examples

- echo End of abk range results  
returns  
End of abk range results

### Comments

Certain API commands print multiple lines without any delimiter string to notify end of command response. This forces a control panel program to guess when the command's response string is going to end. In those scenarios, control panel can issue the legacy command followed by echo command with a delimiter string of its choosing. Once legacy command's response ends, echo command gets processed, which results in the delimiter string printed to the API client.

## echocanceller

Sets or gets the configuration of echo cancellation, which prevents users from hearing their voices loop back from the far site.

### Syntax

```
echocancel l er <get|yes|no>
```

| Parameter | Description                         |
|-----------|-------------------------------------|
| get       | Returns the current setting.        |
| yes       | Enables the echo canceller option.  |
| no        | Disables the echo canceller option. |

### Feedback Examples

- echocancel l er yes  
returns  
echocancel l erred yes  
echocancel l erwhi te yes
- echocancel l er no  
returns  
echocancel l erred no  
echocancel l erwhi te no
- echocancel l er get  
returns  
echocancel l erred no  
echocancel l erwhi te no

### Comments

This option is enabled by default. Polycom strongly recommends that you do not turn off echo cancellation except when using an external microphone system with its own built-in echo cancellation.



## echoreply

Sets or gets the system's ability to send an Echo Reply message in response to an Echo Request message sent to an IPv6 multicast/anycast address.

### Syntax

```
echoreply <get|yes|no>
```

| Parameter | Description                     |
|-----------|---------------------------------|
| get       | Returns the current setting.    |
| yes       | Enables the echo reply option.  |
| no        | Disables the echo reply option. |

### Feedback Examples

- echoreply get  
returns  
echoreply yes
- echoreply no  
returns  
echoreply no

### Comments

This setting is applicable for both IPv4 and IPv6 configurations. The number of responses may be traffic-conditioned to limit the effect of a denial of service attack.

After making a change, you must restart the system for the setting to take effect.

## enablefirewalltraversal

Sets or gets the **Enable H.460 Firewall Traversal** setting. This feature requires an Edgewater session border controller that supports H.460.

### Syntax

```
enabl efi rewal l traversal <get |on|off>
```

| Parameter | Description                              |
|-----------|------------------------------------------|
| get       | Returns the current setting.             |
| on        | Enables the firewall traversal feature.  |
| off       | Disables the firewall traversal feature. |

### Feedback Examples

- enabl efi rewal l traversal on  
returns  
enabl efi rewal l traversal on
- enabl efi rewal l traversal off  
returns  
enabl efi rewal l traversal off
- enabl efi rewal l traversal get  
returns  
enabl efi rewal l traversal off

## enablekeyboardnoisereduction

Sets or gets the **Enable Keyboard Noise Reduction** setting.

### Syntax

```
enabl ekeyboardnoi sereducti on <get|yes|no>
```

| Parameter | Description                        |
|-----------|------------------------------------|
| get       | Returns the current setting.       |
| yes       | Enables keyboard noise reduction.  |
| no        | Disables keyboard noise reduction. |

### Feedback Examples

- enabl ekeyboardnoi sereducti on yes  
returns  
enabl ekeyboardnoi sereducti on yes
- enabl ekeyboardnoi sereducti on no  
returns  
enabl ekeyboardnoi sereducti on no
- enabl ekeyboardnoi sereducti on get  
returns  
enabl ekeyboardnoi sereducti on no

## enablelivemusicmode

Sets or gets the **Enable MusicMode** setting.

### Syntax

```
enabl el i vemusi cmode <get|yes|no>
```

| Parameter | Description                  |
|-----------|------------------------------|
| get       | Returns the current setting. |
| yes       | Enables live music mode.     |
| no        | Disables live music mode.    |

### Feedback Examples

- enabl el i vemusi cmode yes  
returns  
enabl el i vemusi cmode yes
- enabl el i vemusi cmode no  
returns  
enabl el i vemusi cmode no
- enabl el i vemusi cmode get  
returns  
enabl el i vemusi cmode no

## enablepvec

Sets or gets the Polycom Video Error Concealment (PVEC) setting on the system.

### Syntax

```
enabl epvec <get|yes|no>
```

| Parameter | Description                  |
|-----------|------------------------------|
| get       | Returns the current setting. |
| yes       | Enables the PVEC option.     |
| no        | Disables the PVEC option.    |

### Feedback Examples

- enabl epvec yes  
returns  
enabl epvec yes
- enabl epvec no  
returns  
enabl epvec no
- enabl epvec get  
returns  
enabl epvec no

### Comments

This option is enabled by default.

## enablersvp

Sets or gets the RSVP (Resource Reservation Setup Protocol) setting on the system, which requests that routers reserve bandwidth along an IP connection path.

### Syntax

```
enabl ersvp <get|yes|no>
```

| Parameter | Description                  |
|-----------|------------------------------|
| get       | Returns the current setting. |
| yes       | Enables the RSVP option.     |
| no        | Disables the RSVP option.    |

### Feedback Examples

- enabl ersvp yes  
returns  
enabl ersvp yes
- enabl ersvp no  
returns  
enabl ersvp no
- enabl ersvp get  
returns  
enabl ersvp no

### Comments

This option is enabled by default.

## enablesnmp

Sets or gets the SNMP configuration.

### Syntax

```
enabl esnmp <get|yes|no>
```

| Parameter | Description                  |
|-----------|------------------------------|
| get       | Returns the current setting. |
| yes       | Enables the SNMP option.     |
| no        | Disables the SNMP option.    |

### Feedback Examples

- enabl esnmp yes  
returns  
enabl esnmp yes
- enabl esnmp no  
returns  
enabl esnmp no
- enabl esnmp get  
returns  
enabl esnmp no

### Comments

After making a change, you must restart the system for the setting to take effect.

## encryption

Sets or gets the AES encryption mode for the system.

### Syntax

encryption <get|yes|no|requiredvideoonly|requiredalls>

| Parameter         | Description                                                                                                                                                           |
|-------------------|-----------------------------------------------------------------------------------------------------------------------------------------------------------------------|
| get               | Returns the current setting.                                                                                                                                          |
| yes               | Use encryption when the far site is capable of encryption.<br>Note: This parameter is called "When Available" in the user interface.                                  |
| no                | Disables encryption.<br>Note: This parameter is called "Off" in the user interface.                                                                                   |
| requiredvideoonly | Enforces encryption on all video endpoints. Any video calls to or from systems that do not have encryption enabled are not connected. Audio-only calls are connected. |
| requiredalls      | Enforces encryption on all endpoints. Any video or audio calls to or from systems that do not have encryption enabled are rejected and are not connected.             |

### Feedback Examples

- encryption yes  
returns  
encryption yes
- encryption no  
returns  
encryption no
- encryption get  
returns  
encryption no
- encryption requiredvideoonly  
returns  
encryption requiredvideoonly
- encryption requiredalls  
returns  
encryption requiredalls



**Comments**

You cannot use this command while a call is in progress. Using this command while the system is in a call returns an “error: command has illegal parameters” message.

## exit

Ends the API command session.

### Syntax

exi t

### Feedback Examples

- exi t  
returns  
Connection to host lost.

### Comments

This command ends a Telnet session. For serial sessions, this command effectively starts a new session.

## exportdirectory

Exports a directory in XML format.

### Syntax

```
exportdirectory
```

### Feedback Example

```
exportdirectory
```

```
returns
```

```
exportdirectory started
```

```
<?xml version="1.0" encoding="UTF-8" ?>
<addresses>
<entrytype type="entry" name="Polycom Austin USA IP"
file="Polycom_Austin_USA_IP.abk"
uniqueid="Polycom_Austin_USA_IP.abk">
<address filename="Polycom_Austin_USA_IP.abk" language=""
displayname="" name="Polycom Austin USA IP">
<h323 address="lobby.austin.polycom.com" speed="256"/>
</address>
</entrytype>
<entrytype type="entry" name="Polycom Hong Kong"
file="Polycom_Hong_Kong.abk"
uniqueid="Polycom_Hong_Kong.abk">
<address filename="Polycom_Hong_Kong.abk" language=""
displayname="" name="Polycom Hong Kong">
<isdn country_code="852" area_code="2876" numberA="9466"
numberB="9466" speed="2x64"/>
</address>
</addresses>
</xml >
exportdirectory done
```

### Comments

When importing directory data back into the system, use the data in its entirety (not edited in any form). There is information that is used by the system to determine what type (XML or CSV) of data is being imported.

`exportdirectory` done as the last line of returned data indicates that all directory data has been exported.

Do not use `exportdirectory` to interpret the data that is returned. Simply store and use the data as input to the `importdirectory` command or `importdirectory` utility in the web interface. The format of the exported directory data might change in future software releases and any application attempting to interpret the data could find its ability to do so compromised in later releases of Polycom HDX software.

Additional Usage Notes:

- Polycom HDX systems running software version 2.6 or later can import directory data exported from systems running 2.6 and earlier versions.
- Polycom HDX systems running software versions earlier than 2.6 cannot import directory data exported by systems running software version 2.6 or later.

### See Also

[importdirectory](#) command on page 4-198.

## exportprofile

Exports system and user profile information in a CSV format. The output is available through a telnet or serial port connection.

### Syntax

```
exportprofile
```

### Feedback Example

```
exportprofile started
h323name, s8w
hdaccelerator, BrutusT
avayaenabled, ""
systemsoftwareversion_prev, 2. 6. 0
ipmaximuming, 4096
speakervolume, 25
sysname, s8w
speedtranslated, Auto-128-256-384-512-768-1024-1472-1920-4096
directoryinfoupdated, True
pwcreateitemremoteuser0, 0
. . . .
buildmodel, ROOSEVELT
homebutton, MAKEACALL
dialnumberext, ""
mp8enabled, ""
lastloginfromadmin, Local
timezone, CST
presence, AVAILABLE
profilechecksum, 16813327827
exportprofile done
```

### Comments

When importing profile data back into the system, use the data in its entirety (not edited in any form). The system may use the checksum utility to verify of integrity of the data when imported back into the system.

`exportprofile done` as the last line of returned data indicates that all the profile data has been exported.

Do not use `exportprofile` to interpret the data that is returned. Simply store and use the data as input to the `importprofile` command or import profile utility in the web interface. The format of the exported data might change in future software releases and any application attempting to interpret the data could find its ability to do so compromised in later releases of Polycom HDX software.

## See Also

[importprofile](#) command on page [4-201](#).

## farcontrolnearcamera

Sets or gets far control of the near camera, which allows far sites to control the camera on your system.

### Syntax

```
farcontrol nearcamera <get|yes|no>
```

Parameter	Description
get	Returns the current setting.
yes	Allows the far site to control the near camera if the far site has this capability.
no	Disables far control of the near camera.

### Feedback Examples

- farcontrol nearcamera yes  
returns  
farcontrol nearcamera yes
- farcontrol nearcamera no  
returns  
farcontrol nearcamera no
- farcontrol nearcamera get  
returns  
farcontrol nearcamera no

## farnametimedisplay

Sets or gets the length of time the far-site name is displayed on the system.

### Syntax

```
farnameti medi spl ay off
farnameti medi spl ay <get | on | 15 | 30 | 60 | 120>
```

Parameter	Description
off	Disables the far site name display.
get	Returns the current setting.
on	Displays the far site name for the duration of the call.
15   30   60   120	Specifies the number of seconds to display the far site name at the beginning of a call.

### Feedback Examples

- ```
farnameti medi spl ay off
returns
farnameti medi spl ay off
```
- ```
farnameti medi spl ay on
returns
farnameti medi spl ay on
```
- ```
farnameti medi spl ay 60
returns
farnameti medi spl ay 60
```
- ```
farnameti medi spl ay get
returns
farnameti medi spl ay 60
```



# flash

Flashes the analog phone call.

## Syntax

```
flash ["callid"]
```

```
flash ["callid"] ["duration"]
```

Parameter	Description
callid	Specifies the callid to flash.
duration	Specifies the pulse duration in ms.

## Feedback Examples

- flash 34 5  
returns  
flash 34 5  
and flashes callid 34 for 5 ms

## See Also

You can also use the [phone](#) command on page [4-277](#) to flash an analog phone line.

## gabk (deprecated)

Returns global directory (address book) entries. This command has been deprecated. Polycom recommends using the [gaddrbook](#) command on page 4-145.

### Syntax

```
gabk all
gabk batch {0..59}
gabk batch define "start_no" "stop_no"
gabk batch search "pattern" "count"
gabk letter {a..z}
gabk range "start_no" "stop_no"
gabk refresh
```

Parameter	Description
all	Returns all entries in the global directory.
batch	Returns a batch of 20 global directory entries. Requires a batch number, which must be an integer in the range {0..59}.
define	Returns a batch of entries in the range defined by "start_no" to "stop_no." Polycom recommends using <code>gabk range</code> instead of this command.
"start_no"	Specifies the beginning of the range of entries to return.
"stop_no"	Specifies the end of the range of entries to return.
search	Specifies a batch search.
"pattern"	Specifies pattern to match for the batch search.
"count"	Specifies the number of entries to list that match the pattern.
letter	Returns entries beginning with the letter specified from the range {a..z}. Requires one or two alphanumeric characters. Valid characters are: - _ / ; @ , . \ 0 through 9, a through z
range	Returns global directory entries from "start_no" through "stop_no". Requires two integers.
refresh	Gets a more current copy of the global directory.

## Feedback Example

- `gabk all`  
returns  
"Polycom HDX Demo 1" i sdnsdpd: 384 i sdnum: 1. 700. 5551212  
i sdnxt:  
"Polycom HDX Demo 2" i sdnsdpd: 2x64 i sdnum: 1. 700. 5552323  
i sdnxt:  
"Polycom HDX Demo 3" i psdpd: 384 i pnun: 192. 168. 1. 101 i pext: 7878  
"Polycom HDX Demo 4" i sdnsdpd: 384 i sdnum: 1. 700. 5553434  
i sdnxt:  
(and so on, until all entries in the local directory are listed, then:)  
`gabk all done`
- `gabk batch 0`  
returns  
"Polycom HDX Demo 1" i sdnsdpd: 384 i sdnum: 1. 700. 5551212  
i sdnxt:  
"Polycom HDX Demo 2" i sdnsdpd: 2x64 i sdnum: 1. 700. 5552323  
i sdnxt:  
"Polycom HDX Demo 3" i psdpd: 384 i pnun: 192. 168. 1. 101 i pext: 7878  
"Polycom HDX Demo 4" i sdnsdpd: 384 i sdnum: 1. 700. 5553434  
i sdnxt:  
(and so on, through the last entry in the batch of 20 directory entries, such as:)  
"Polycom HDX Demo 20" i psdpd: 128 i pnun: 192. 168. 1. 102  
i pext: 7787878  
`gabk batch 0 done`
- `gabk batch define 1 2`  
returns  
"Polycom HDX Demo 1" i sdnsdpd: 384 i sdnum: 1. 700. 5551212  
i sdnxt:  
"Polycom HDX Demo 2" i sdnsdpd: 2x64 i sdnum: 1. 700. 5552323  
i sdnxt:  
`gabk batch define 1 2 done`
- `gabk batch search Polycom 2`  
returns  
"Polycom HDX Demo 1" i sdnsdpd: 384 i sdnum: 1. 700. 5551212  
i sdnxt:  
"Polycom HDX Demo 2" i sdnsdpd: 2x64 i sdnum: 1. 700. 5552323  
i sdnxt:  
`gabk batch search Polycom 2 done`
- `gabk letter p`  
returns  
"Polycom HDX Demo 1" i sdnsdpd: 384 i sdnum: 1. 700. 5551212  
i sdnxt:  
"Polycom HDX Demo 2" i sdnsdpd: 2x64 i sdnum: 1. 700. 5552323  
i sdnxt:

```
"Polycom HDX Demo 3" i pspd: 384 i pnum: 192.168.1.101 i pext: 7878
"Polycom HDX Demo 4" i sdnspd: 384 i sdnum: 1.700.5553434
i sdnnext:
(and so on, to include all entries in the batch that begin
with p, then:)
gabk letter p done
```

- gabk range 1 2  
returns  
"Polycom HDX Demo 1" i sdnspd: 384 i sdnum: 1.700.5551212  
i sdnnext:  
"Polycom HDX Demo 2" i sdnspd: 2x64 i sdnum: 1.700.5552323  
i sdnnext:  
gabk range 1 2 done

## Comments

When the system is registered with the LDAP directory server, all gabk commands return the response, command not supported.

gabk entries are entries stored in the global directory. In the user interface, the address book and global address book features are referred to as the *global directory*.

## See Also

To return local directory entries, use the [abk \(deprecated\)](#) command on page 4-9.

# gabpassword

Sets the password to gain access to the Global Directory Server.

## Syntax

```
gabpassword set ["password"]
```

Parameter	Description
set	Sets the GDS password to "password". To erase the current setting, omit "password".
"password"	Password to access the GDS server. Valid characters are: a through z (lower and uppercase), -, _, @, /, ;, ,, ., \, 0 through 9. Enclose the string in quotation marks if it includes spaces.

## Feedback Examples

- gabpassword set gabpass  
returns  
gabpassword gabpass



This command might not return the current password in correct case-sensitive format.

## Comments

This command cannot be used unless the Remote Access password in the user interface has been set.

## gabserverip

Sets or gets the IP address of the Global Directory Server.

### Syntax

```
gabserverip <get|set>
```

Parameter	Description
get	Returns the current setting.
set	Sets the GDS server's IP address when followed by the parameter "xxx. xxx. xxx. xxx". To erase the current setting, omit the "xxx. xxx. xxx. xxx" parameter.

### Feedback Examples

- gabserverip set  
returns  
gabserverip <empty>
- gabserverip set gab.polycom.com  
returns  
gabserverip gab.polycom.com
- gabserverip get  
returns  
gabserverip gab.polycom.com

# gaddrbook

Returns global directory (address book) entries.

## Syntax

```
gaddrbook all
gaddrbook batch {0..59}
gaddrbook batch define "start_no" "stop_no"
gaddrbook batch search "pattern" "count"
gaddrbook letter {a..z}
gaddrbook range "start_no" "stop_no"
gaddrbook refresh
gaddrbook group list [<range_start>] [<range_end>]
gaddrbook group list size
gaddrbook group "group_name" [<range_start>] [<range_end>]
gaddrbook group "group_name" size
gaddrbook names search "search_pattern" [<range_start>] [<range_end>]
gaddrbook names search "search_pattern" size
gaddrbook address "sys_id_string"
```

Parameter	Description
all	Returns all the entries in the global directory.
batch	Returns a batch of 20 global directory entries. Requires a batch number, which must be an integer in the range {0..59}.
define	Returns a batch of entries in the range defined by "start_no" to "stop_no."
search	Specifies a batch search.
"pattern"	Specifies a pattern to match for the batch search.
"count"	Specifies the number of entries to list that match the pattern.
letter	Returns entries beginning with the letter specified from the range {a..z}. Requires one or two alphanumeric characters. Valid characters are: - _ / ; @ , . \ 0 through 9 a through z
range	Returns global directory entries numbered "start_no" through "stop_no". Requires two integers.
"start_no"	Specifies the beginning of the range of entries to return.
"stop_no"	Specifies the end of the range of entries to return.

Parameter	Description
refresh	Gets a more current copy of the global directory.
group list	Returns a list of group names in this format: <pre>gaddrbook grouplist {0..n}. group: "group_name" ... gaddrbook grouplist done</pre>
size	Returns the size of the result set that will be returned by the command. The size parameter can be used with the grouplist, group, and names search commands. The response is in the following format: <pre>gaddrbook &lt;command&gt; size {0..n}</pre>
range_start	For the grouplist, group, and names search commands, specifies the beginning of the range of entries to return.
range_end	For the grouplist, group, and names search commands, specifies the end of the range of entries to return. If a range_start is specified without a range_end, then the single range_start entry will be returned. If range_end is -1, all entries starting with range_start will be returned. Note that the LDAP server will limit the maximum number of entries that may be returned.
group	Returns a list of the members of a specified group. A multi-codec system will appear as a single row with a sys_id_string field containing multiple sys_id's. (See the sys_id_string description below.) The response is in the following format, one row for each address book entry: <pre>gaddrbook system {0..n}. name: "sys_name"                         sys_label: "sys_label"                         sys_id: "sys_id_string"                         phone_num: "phone_num"  type: &lt;video multicodec phone&gt; ... gaddrbook group "group_name" done</pre>



Parameter	Description
group_name	<p>Returns summary information for the people or rooms that match the search criteria. The search looks for a match at the beginning of any of these attributes: first name, last name, display/friendly name, or room name. The response is similar to the group command:</p> <pre>gaddrbook search {0..n}. name:"sys_name"                         sys_label:"sys_label"                         sys_id:"sys_id_string"                         phone_num:"phone_num"</pre> <p>type:&lt;video multicodec phone&gt; ...</p> <pre>gaddrbook names search "search_pattern" done</pre>
names search	<p>Returns summary information for the people or rooms that match the search criteria. The search looks for a match at the beginning of any of these attributes: first name, last name, display/friendly name, or room name. The response is similar to the group command:</p> <pre>gaddrbook search {0..n}. name:"sys_name"                         sys_label:"sys_label"                         sys_id:"sys_id_string"                         phone_num:"phone_num"</pre> <p>type:&lt;video multicodec phone&gt; ...</p>
search_pattern	<p>Specifies the string pattern for which to search. Wildcard characters are not supported..</p>

Parameter	Description
address	<p>Obtains the address information for a specified entry. For a multi-codec system, there will be separate lines for each codec, distinguished by the codec's sys_id. The codecs will be returned in order, starting with the primary codec. If codecs support multiple protocols, the different addresses will be returned on separate lines.</p> <p>The response is in the following format:</p> <pre> gaddrbook address {0..n}. sys_id:"sys_id"                 h323_spd:"h323_spd" h323_num:"h323_num"                 h323_ext:"h323_ext" gaddrbook address {0..n}. sys_id:"sys_id"                 sip_spd:"sip_spd" sip_num:"sip_num" gaddrbook address {0..n}. sys_id:"sys_id"                 xmpp:xmpp_addr gaddrbook address {0..n}. sys_id:"sys_id"                 isdn_spd:"isdn_spd" isdn_num:"isdn_num"                 isdn_ext:"isdn_ext" ... gaddrbook address "sys_id_string" done </pre>
sys_id_string	<p>The unique identifier string for an endpoint. When the client retrieves the members of a group or searches by name, the results will include a list of people or rooms and the endpoints or systems associates with each of those entries. Each endpoint will have a sys_id_string which can be used to query for the endpoint's address information. For multi-codec systems, the sys_id_string will include multiple sys_id's, one for each codec, separated by a # delimiter. For LDAP, the sys_id will be the LDAP commUniqueID. It should be a quoted string. See examples below.</p>
sys_id	<p>This is the unique identifier for a codec. If an entry has just a phone number and no video codecs, this attribute will be blank.</p>
sys_name	<p>The friendly name for an address book entry. It is the name of the person or the room. It is surrounded by quotes if it contains spaces.</p>

Parameter	Description
sys_label	If a person/room has more than one system, the result set will include a row for each system. If those systems are of the same type, such as HDX, the client will consider that entry to be a telepresence system with multiple codecs rather than separate systems. If the systems are of different types, such as an HDX and a CMAD, then this sys_label attribute will be included to differentiate the systems.
type	The type of global address book entry. Possible values are: video, multicodec, phone.
phone_num	The phone number for an address book entry. In LDAP, phone numbers are associated with a person/room (aka, entry) rather than with each endpoint belonging to that person/room.
h323_spd	The preferred speed for an H.323 call to this entry. If no speed is associated with the entry, then the value of the configuration variable "globaladdrmaxh323" is returned. The default is 384.
h323_num	For LDAP entries HDX currently does not use this field. It is always blank.
h323_ext	If an LDAP entry has a value for the H.350.1 h323Identityh323-ID attribute (H.323 alias), it will be returned as the h323_ext. If there is no h323Identityh323-ID, then if there is a value for the H.350.1 h323IdentitydialedDigits attribute (E.164 number), it will be returned.
si_p_spd	The preferred speed for a SIP call to this entry. If no speed is associated with the entry, then this is the same as the h323_spd.
si_p_num	SIP address. For LDAP this is the H.350.4 SIPIdentitySIPURI attribute.
xmpp_addr	XMPP address, also known as the Jabber ID (JID). For LDAP this is the H.350.7 XmppIdentityURI attribute.

Parameter	Description
i_sdn_spd	The preferred speed for an H.320 call to this entry. If no speed is associated with the entry, then the value of the configuration variable "globaladdrmaxh320" is returned. The default is 384.
i_sdn_num	ISDN number for H.320 calls. For LDAP this is a concatenation of the H.350.3 h320IdentityCC (Country Code), h320IdentityNDC (National Destination Code), and h320IdentitySN (Subscriber Number) attributes.
i_sdn_ext	For LDAP this is the H.350.3 h320IdentityExtension attribute. It is the extension of terminal required to dial after initial PSTN address is connected. It could also be an H.323 extension to be used for gateway dialing (e.g., h323:user@gatekeeper.foo.com).

## Feedback Examples

- gaddrbook all  
returns

```
gaddrbook 0. "Polycom HDX Demo 1" i_sdn_spd: 384
i_sdn_num: 1. 700. 5551212 i_sdn_ext:
gaddrbook 1. "Polycom HDX Demo 2" h323_spd: 384
h323_num: 192. 168. 1. 101 h323_ext: 7878
gaddrbook 2. "Polycom HDX Demo 3" sip_spd: 384
sip_num: polycomhdx@polycom.com
gaddrbook 3. "Polycom HDX Demo 3" phone_num: 1. 512. 5121212
(and so on, until all entries in the global directory are
listed, then:)
gaddrbook all done
```
- gaddrbook batch 0  
returns

```
gaddrbook 0. "Polycom HDX Demo 1" i_sdn_spd: 384
i_sdn_num: 1. 700. 5551212 i_sdn_ext:
gaddrbook 1. "Polycom HDX Demo 2" h323_spd: 384
h323_num: 192. 168. 1. 101 h323_ext: 7878
gaddrbook 2. "Polycom HDX Demo 3" sip_spd: 384
sip_num: polycomhdx@polycom.com
gaddrbook 3. "Polycom HDX Demo 3" phone_num: 1. 512. 5121212
(and so on, through the last entry in the batch of 20
directory entries, such as:)
gaddrbook 19. "Polycom HDX Demo 20" h323_spd: 384
h323_num: 192. 168. 1. 120 h323_ext:
gaddrbook batch 0 done
```

- gaddrbook batch define 0 2  
returns  
gaddrbook 0. "Polycom HDX Demo 1" isdn\_spd: 384  
isdn\_num: 1.700.5551212 isdn\_ext:  
gaddrbook 1. "Polycom HDX Demo 2" h323\_spd: 384  
h323\_num: 192.168.1.101 h323\_ext: 7878  
gaddrbook 2. "Polycom HDX Demo 3" sip\_spd: 384  
sip\_num: polycomhdx@polycom.com  
gaddrbook batch define 0 2 done
- gaddrbook batch search Polycom 3  
returns  
gaddrbook 0. "Polycom HDX Demo 1" isdn\_spd: 384  
isdn\_num: 1.700.5551212 isdn\_ext:  
gaddrbook 1. "Polycom HDX Demo 2" h323\_spd: 384  
h323\_num: 192.168.1.101 h323\_ext: 7878  
gaddrbook 2. "Polycom HDX Demo 3" sip\_spd: 384  
sip\_num: polycomhdx@polycom.com  
gaddrbook batch search Polycom 3 done
- gaddrbook letter p  
returns  
gaddrbook 0. "Polycom HDX Demo 1" isdn\_spd: 384  
isdn\_num: 1.700.5551212 isdn\_ext:  
gaddrbook 1. "Polycom HDX Demo 2" h323\_spd: 384  
h323\_num: 192.168.1.101 h323\_ext: 7878  
gaddrbook 2. "Polycom HDX Demo 3" sip\_spd: 384  
sip\_num: polycomhdx@polycom.com  
gaddrbook 3. "Polycom HDX Demo 3" phone\_num: 1.512.5121212  
gaddrbook 19. "Polycom HDX Demo 20" h323\_spd: 384  
h323\_num: 192.168.1.120 h323\_ext:  
gaddrbook letter p done
- gaddrbook range 0 2  
returns  
gaddrbook 0. "Polycom HDX Demo 1" isdn\_spd: 384  
isdn\_num: 1.700.5551212 isdn\_ext:  
gaddrbook 1. "Polycom HDX Demo 2" h323\_spd: 384  
h323\_num: 192.168.1.101 h323\_ext: 7878  
gaddrbook 2. "Polycom HDX Demo 3" sip\_spd: 384  
sip\_num: polycomhdx@polycom.com  
gaddrbook range 0 2 done
- gaddrbook grouplist size  
returns  
gaddrbook grouplist size 6
- gaddrbook grouplist size 0 3  
returns  
gaddrbook grouplist 0. group: "Andover ITP"  
gaddrbook grouplist 1. group: "ITP Test Systems"

```
gaddrbook grouplist 2. group: "Support"
gaddrbook grouplist 3. group: "SW Group"
gaddrbook grouplist 0 3 done
```

- gaddrbook grouplist
  - returns
  - gaddrbook grouplist 0. group: "Andover ITP"
  - gaddrbook grouplist 1. group: "ITP Test Systems"
  - gaddrbook grouplist 2. group: "Support"
  - gaddrbook grouplist 3. group: "SW Group"
  - gaddrbook grouplist 4. group: "Video Group"
  - gaddrbook grouplist 5. group: "VSG Software"
  - gaddrbook grouplist done
- gaddrbook group "Andover ITP" size
  - returns
  - gaddrbook group "Andover ITP" size 5
- gaddrbook group size 0 3
  - returns
  - gaddrbook system 0. name: "AVKit TPX 306" sys\_label: "HDX"
    - sys\_id: "10062#10055#10056" phone\_num: "" type: multi codec
  - gaddrbook system 1. name: "Mark Duckworth" sys\_label: "HDX"
    - sys\_id: "10006" phone\_num: "978.292.5478" type: video
  - gaddrbook system 2. name: "Minuteman RPX" sys\_label: "HDX"
    - sys\_id: "10074#10020" phone\_num: "" type: multi codec
  - gaddrbook system 3. name: "Support 400" sys\_label: "HDX"
    - sys\_id: "10058#10059#10060#10061" phone\_num: "" type: multi codec
  - gaddrbook group "Andover ITP" 0 3 done

In the example above, the multicodec systems have sys\_id strings with multiple sys\_id's, one for each codec, separated by a # delimiter.
- gaddrbook group "Video Group"
  - returns
  - gaddrbook system 0. name: "Dan Renalds" sys\_label: "HDX"
    - sys\_id: "10002" phone\_num: type: video
  - gaddrbook system 1. name: "Mark Duckworth" sys\_label: "HDX"
    - sys\_id: "10006" phone\_num: "978.292.5478" type: video
  - gaddrbook system 2. name: "Scott Wilson" sys\_label: "HDX"
    - sys\_id: "10047" phone\_num: "978.292.5347" type: video
  - gaddrbook system 3. name: "Simbalab" sys\_label: "HDX"
    - sys\_id: "10037#10038#10077" phone\_num: type: multi codec
  - gaddrbook system 4. name: "Tanvir Rahman"
    - sys\_label: "HDX" sys\_id: "10031#10035" phone\_num:
    - type: multi codec
  - gaddrbook system 5. name: "Tanvir Rahman" sys\_label: "VSeries"
    - sys\_id: "10032#10033" phone\_num: type: multi codec
  - gaddrbook system 6. name: "Vineyard"
    - sys\_label: "HDX" sys\_id: "10065#10009#10010" phone\_num:
    - type: multi codec

- ```
gaddrbook system 7. name: "VSG SW Lab" sys_label: "HDX"
sys_id: "10018#10082" phone_num: type: mul ti codec
gaddrbook group "Video Group" done
```
- gaddrbook names search "s" size


```
returns
gaddrbook names search s size 5
```
 - gaddrbook names search "s"


```
returns
gaddrbook search 0. name: "Sami Hamdi " sys_label: "HDX"
                    sys_id: "10094" phone_num: "" type: vi deo
gaddrbook search 1. name: "Scott Wi lson"
sys_label: "CMADesktop"
                    sys_id: "10111" phone_num: "978. 292. 5347"
type: vi deo
gaddrbook search 2. name: "Scott Wi lson" sys_label: "HDX"
                    sys_id: "10047" phone_num: "978. 292. 5347"
type: vi deo
gaddrbook search 3. name: "Si mbal ab" sys_label: "HDX"
                    sys_id: "10037#10038#10077" phone_num: ""
                    type: mul ti codec
gaddrbook search 4. name: "Support 400" sys_label: "HDX"
                    sys_id: "10058#10059#10060#10061" phone_num: ""
                    type: mul ti codec
gaddrbook names search s done
```
 - gaddrbook names search "s" 0 3


```
returns
gaddrbook search 0. name: "Sami Hamdi " sys_label: "HDX"
sys_id: "10094" phone_num: "" type: vi deo
gaddrbook search 1. name: "Scott Wi lson"
sys_label: "CMADesktop" sys_id: "10111"
phone_num: "978. 292. 5347" type: vi deo
gaddrbook search 2. name: "Scott Wi lson" sys_label: "HDX" sys_id: "10047"
phone_num: "978. 292. 5347" type: vi deo
gaddrbook search 3. name: "Si mbal ab" sys_label: "HDX"
sys_id: "10037#10038#10077" phone_num: "" type: mul ti codec
gaddrbook names search s 0 3 done
```
 - gaddrbook address "10047"


```
returns
gaddrbook address 0. sys_id: "10047" h323_spd: Auto h323_num:
h323_ext: 1246540010
gaddrbook address 10047 done
```
 - gaddrbook naddress "10065#10009#10010"


```
returns
gaddrbook address 0. sys_id: "10065" h323_spd: Auto h323_num:
h323_ext: 44041
gaddrbook address 1.
sys_id: "10009" h323_spd: Auto h323_num: h323_ext: 44042
gaddrbook address 2. sys_id: "10010" h323_spd: Auto h323_num:
```

```
h323_ext: 44043  
gaddrbook address 10065#10009#10010 done
```

Comments

Entries with multiple addresses (for example, an H.323 address and an ISDN number) return each address type on separate lines with an incremented record number.

When the system is registered with the LDAP directory server, only the gaddrbook batch search “pattern” “count” is supported. All other gaddrbook commands return the response command not supported.

When the system is registered with the Polycom GDS directory server, all of the gaddrbook commands and parameters are supported.

gaddrbook entries are stored in the global directory (address book).

See Also

[addrbook](#) on page 4-12 and [gaddrbook](#) on page 4-145.

gatekeeperip

Sets or gets the IP address of the gatekeeper.

Syntax

```
gatekeeperip get  
gatekeeperip set ["xxx.xxx.xxx.xxx"]
```

| Parameter | Description |
|-------------------|--|
| get | Returns the current setting. |
| set | Sets the gatekeeper IP address when followed by the "xxx.xxx.xxx.xxx" parameter. To erase the current setting, omit "xxx.xxx.xxx.xxx". |
| "xxx.xxx.xxx.xxx" | IP address of the gatekeeper. |

Feedback Examples

- gatekeeperip set 192.168.1.205
returns
gatekeeperip 192.168.1.205
- gatekeeperip get
returns
gatekeeperip 192.168.1.205

Note: The gatekeeperip get command feedback may include the port number after the IP address.

gatewayareacode

Sets or gets the gateway area code.

Syntax

```
gatewayareacode get
gatewayareacode set ["areacode"]
```

| Parameter | Description |
|------------|--|
| get | Returns the area code for the gateway. |
| set | Sets the area code when followed by the "areacode" parameter. To erase the current setting, omit "areacode". |
| "areacode" | Numeric string specifying the area code. |

Feedback Examples

- gatewayareacode get
returns
gatewayareacode <empty>
- gatewayareacode set 512
returns
gatewayareacode 512
- gatewayareacode get
returns
gatewayareacode 512

gatewaycountrycode

Sets or gets the gateway country code.

Syntax

```
gatewaycountrycode get
gatewaycountrycode set ["countrycode"]
```

| Parameter | Description |
|---------------|---|
| get | Returns the current setting. |
| set | Sets the gateway country code when followed by the "countrycode" parameter. To erase the current setting, omit "countrycode". |
| "countrycode" | Numeric string specifying the gateway country code. |

Feedback Examples

- gatewaycountrycode set 1
returns
gatewaycountrycode 1
- gatewaycountrycode get
returns
gatewaycountrycode 1

gatewayext

Sets or gets the gateway extension number.

Syntax

```
gatewayext get  
gatewayext set ["extensi on"]
```

| Parameter | Description |
|--------------|---|
| get | Returns the current setting. |
| set | Sets the gateway extension number when followed by the "extensi on" parameter. To reset the default value, omit "extensi on". |
| "extensi on" | Numeric string specifying the gateway extension. |

Feedback Examples

- gatewayext set 59715
returns
gatewayext 59715
- gatewayext get
returns
gatewayext 59715

gatewaynumber

Sets or gets the gateway number.

Syntax

```
gatewaynumber get  
gatewaynumber set [ "number" ]
```

| Parameter | Description |
|-----------|---|
| get | Returns the current setting. |
| set | Sets the gateway number when followed by the "number" parameter. To erase the current setting, omit "number". |
| "number" | Numeric string specifying the gateway number. |

Feedback Examples

- gatewaynumber set 5551212
returns
gatewaynumber 5551212
- gatewaynumber get
returns
gatewaynumber 5551212

gatewaynumbertype

Sets or gets the Gateway Number Type, which can be either Direct Inward Dial (DID) or Number+Extension.

Syntax

gatewaynumbertype <get|di d|number+extensi on>

| Parameter | Description |
|-------------------|--|
| get | Returns the current setting. |
| di d | Indicates that the gateway number is a direct inward dial number; it has no extension. |
| number+extensi on | Indicates that the gateway number includes an extension.

This option allows the call to go through directly (it dials the Gateway Number + ## + Extension as one number). |

Feedback Examples

- gatewaynumbertype di d
returns
gatewaynumbertype di d
- gatewaynumbertype number+extensi on
returns
gatewaynumbertype number+extensi on
- gatewaynumbertype get
returns
gatewaynumbertype number+extensi on

gatewayprefix

Sets or gets the gateway prefixes for the corresponding speeds.

Syntax

```
gatewayprefix get "valid speed"
gatewayprefix set "valid speed" ["value"]
```

| Parameter | Description |
|---------------|--|
| get | When followed by the "valid speed" parameter, returns the current value for this speed. |
| "valid speed" | Valid speeds are: 56, 64, 2x56, 112, 2x64, 128, 168, 192, 224, 256, 280, 320, 336, 384, 392, 7x64, 8x56, 504, 512, 560, 576, 616, 640, 672, 704, 728, 768, 784, 832, 840, 16x56, 14x64, 952, 960, 1008, 1024, 1064, 1088, 1120, 1152, 1176, 1216, 1232, 1280, 1288, 24x56, 21x64, 1400, 1408, 1456, 1472, 1512, 1536, 1568, 1600, 1624, 1664, 1680, 1728, 1736, 32x56, 28x64, 1848, 1856, 1904, and 1920 kbps. |
| set | Sets the gateway prefix when followed by the "value" parameter. To erase the current setting, omit "value". |
| "value" | Prefix (code) used for a particular call speed. Consult your gateway instruction manual to determine which codes are appropriate. |

Feedback Examples

- gatewayprefix set 168 90
returns
gatewayprefix 168 90
- gatewayprefix get 168
returns
gatewayprefix 168 90

Comments

Some gateways require a number to be prepended (prefix) to the gateway number. The prefix identifies which gateway is used to dial a call at a particular data rate.

gatewaysetup

Lists all available speeds and values at once.

Syntax

gatewaysetup

Feedback Examples

- gatewaysetup
returns
56 <empty> <empty>
64 #14 #16
2x56 #222 #333
112 #444 #555
2x64 <empty> <empty>
and so on.

gatewaysuffix

Sets or gets the gateway suffix.

Syntax

```
gatewaysuffi x get "val i d speed"
gatewaysuffi x set "val i d speed" ["val ue"]
```

| Parameter | Description |
|-----------------|--|
| get | Returns the current value for this speed. |
| "val i d speed" | Valid speeds are: 56, 64, 2x56, 112, 2x64, 128, 168, 192, 224, 256, 280, 320, 336, 384, 392, 7x64, 8x56, 504, 512, 560, 576, 616, 640, 672, 704, 728, 768, 784, 832, 840, 16x56, 14x64, 952, 960, 1008, 1024, 1064, 1088, 1120, 1152, 1176, 1216, 1232, 1280, 1288, 24x56, 21x64, 1400, 1408, 1456, 1472, 1512, 1536, 1568, 1600, 1624, 1664, 1680, 1728, 1736, 32x56, 28x64, 1848, 1856, 1904, and 1920 kbps. |
| set | Sets the gateway suffix when followed by the "val ue" parameter. To erase the current setting, omit "val ue". |
| "val ue" | Suffix (code) used for a particular call speed. Consult your gateway instruction manual to determine which codes are appropriate. Use quotation marks around a compound name or strings that contain spaces. For example: "uni ted states" or "111 222 333". |

Feedback Examples

- ```
gatewaysuffi x set 192 11
returns
gatewaysuffi x 192 11
```
- ```
gatewaysuffi x get 192
returns
gatewaysuffi x 192 11
```

Comments

Some gateways require a number to be appended (suffix) to the gateway number. The suffix identifies which gateway is used to dial a call at a particular data rate.

gdsdirectory

Sets or gets whether the Polycom GDS directory server is enabled.

Syntax

gdsdi rectory <get|yes|no>

| Parameter | Description |
|-----------|---|
| get | Returns the current setting. |
| yes | Enables the Polycom GDS directory server. |
| no | Disables the Polycom GDS directory server. This is the default setting. |

Feedback Examples

- gdsdi rectory get
returns
gdsdi rectory yes
- gdsdi rectory no
returns
gdsdi rectory no

Comments

Each Polycom system supports a single global directory server at any given time. Therefore, enabling the Polycom GDS directory server automatically disables any other global directory server, such as the LDAP directory server, that is enabled.

If the Polycom GDS directory server and another directory server are defined on the system, the Polycom GDS directory server becomes the default directory server after upgrading the system software.

gendial

Generates DTMF dialing tones.

Syntax

```
gendial <{0..9}|#|*>
```

| Parameter | Description |
|-----------|---|
| {0..9} | Generates the DTMF tone corresponding to telephone buttons 0-9. |
| # | Generates the DTMF tone corresponding to a telephone # button. |
| * | Generates the DTMF tone corresponding to a telephone * button. |

Feedback Examples

- gendial 2
returns
gendial 2
and causes the system to produce the DTMF tone corresponding to a telephone's 2 button

gendialtonepots (deprecated)

Generates DTMF dialing tones over an analog phone line. This command has been deprecated. Polycom recommends using the [gendial](#) command on page 4-165.

Syntax

```
gendi al tonepots <{0..9}|#|*>
```

| Parameter | Description |
|-----------|---|
| {0..9} | Generates the DTMF tone corresponding to telephone buttons 0-9. |
| # | Generates the DTMF tone corresponding to a telephone # button. |
| * | Generates the DTMF tone corresponding to a telephone * button. |

Feedback Examples

- gendi al tonepots 2
returns
gendi al tonepots 2
and causes the system to produce the DTMF tone corresponding to a telephone's 2 button

See Also

You can use the [gendial](#) command on page 4-165.

generatetone

Turns the test tone on or off. The tone is used to check the monitor audio cable connections or to monitor the volume level.

Syntax

generatetone <on|off>

| Parameter | Description |
|-----------|--------------------------|
| on | Turns on the test tone. |
| off | Turns off the test tone. |

Feedback Examples

- generatetone on
returns
generatetone on
and the system produces a test tone
- generatetone off
returns
generatetone off
and the system stops producing a test tone

get screen

Returns the name of the current screen so that the control panel programmer knows which screen the user interface is currently displaying.

Syntax

```
get screen
```

Feedback Examples

- get screen
returns
screen: near
- get screen
returns
screen: makeacall
- get screen
returns
screen: generatetone

See Also

You can also use the [screen](#) command on page [4-310](#).

getcallstate

Gets the state of the calls in the current conference.

Syntax

```
getcallstate
```

Feedback Examples

- `getcallstate`
returns
cs: call [34] speed[384] dialstr[192.168.1.101]
state[connected]
cs: call [1] inactive
cs: call [2] inactive

See Also

To register the shell session to receive notifications about call state activities, see the [callstate](#) command on page 4-66.

getconfiguredipaddress

Retrieves the currently configured IPv4 address from the system.

Syntax

```
getconfi guredi paddress
```

Feedback Examples

- ```
getconfi guredi paddress
```

  
returns  

```
getconfi guredi paddress 1. 2. 3. 4
```

### Comments

`getconfiguredipaddress` returns the currently configured IPv4 address of the system regardless of the status of the LAN connection. This differs from the `ipaddress get` command, which returns the current IP address of the system if it has an active LAN connection, else it returns 0.0.0.0.

The definition of "currently configured IPv4 address" depends on the IPv4 address configuration settings:

- If the **Connect to My LAN** setting is disabled, then 0.0.0.0 is returned. Otherwise, the definition depends on the IP Address (IPv4) setting.
- If the IP address is set manually the configured IP address is returned, regardless of whether the LAN connection is currently active.
- If the IP address is obtained automatically, the currently-assigned address is returned, or 0.0.0.0 is returned if there is no active connection.



## gmscopy

Sets or gets the Polycom Global Management System™ city information.

### Syntax

```
gmscopy get
gmscopy set ["city"]
```

Parameter	Description
get	Returns the current setting.
set	Sets the Global Management System city name when followed by the "city" parameter. To erase the current setting, omit "city".
"city"	Character string specifying the city. Enclose the string in quotation marks if it includes spaces. Example: "San Antonio"

### Feedback Examples

- gmscopy get  
returns  
gmscopy <empty>
- gmscopy set Paris  
returns  
gmscopy Paris
- gmscopy get  
returns  
gmscopy Paris

## gmscontactemail

Sets or gets the Global Management System contact email information.

### Syntax

```
gmscontactemail get
gmscontactemail set ["email"]
```

Parameter	Description
get	Returns the current contact email address.
set	Sets the Global Management system contact email address when followed by the "email" parameter. To erase the current setting, omit "email".
"email"	Alphanumeric string specifying the email address.

### Feedback Examples

- gmscontactemail get  
returns  
gmscontactemail <empty>
- gmscontactemail set john\_polycom@polycom.com  
returns  
gmscontactemail john\_polycom@polycom.com
- gmscontactemail get  
returns  
gmscontactemail john\_polycom@polycom.com

## gmscontactfax

Sets or gets the Global Management System contact fax information.

### Syntax

```
gmscontactfax get
gmscontactfax set ["fax number"]
```

Parameter	Description
get	Returns the current contact fax information.
set	Sets the Global Management System contact fax information when followed by the "fax number" parameter. To erase the current setting, omit "fax number".
"fax number"	Character string specifying the fax number. Enclose the string in quotation marks if it includes spaces. Example: "408 555 2323"

### Feedback Examples

- gmscontactfax get  
returns  
gmscontactfax <empty>
- gmscontactfax set "408 555 2323"  
returns  
gmscontactfax 4085552323
- gmscontactfax get  
returns  
gmscontactfax 4085552323

## gmscontactnumber

Sets or gets the Global Management System contact number information.

### Syntax

```
gmscontactnumber get
gmscontactnumber set ["number"]
```

Parameter	Description
get	Returns the current contact number.
set	Sets the Global Management System contact number when followed by the "number" parameter. To erase the current setting, omit "number".
"number"	Numeric string specifying the contact number. Enclose the string in quotation marks if it includes spaces. Example: "408 555 2323"

### Feedback Examples

- gmscontactnumber get  
returns  
gmscontactnumber <empty>
- gmscontactnumber set "408 555 2323"  
returns  
gmscontactnumber 4085552323
- gmscontactnumber get  
returns  
gmscontactnumber 4085552323

## gmscontactperson

Sets or gets the Global Management System contact person information.

### Syntax

```
gmscontactperson get
gmscontactperson set ["person"]
```

Parameter	Description
get	Returns the current contact person information.
set	Sets the Global Management System contact person name when followed by the "person" parameter. To erase the current setting, omit "person".
"person"	Character string specifying the contact person. Enclose the string in quotation marks if it includes spaces. Example: "Mary Polycom"

### Feedback Examples

- gmscontactperson get  
returns  
gmscontactperson <empty>
- gmscontactperson set "Mary Polycom"  
returns  
gmscontactperson "Mary Polycom"
- gmscontactperson get  
returns  
gmscontactnumber "Mary Polycom"

## gmscountry

Sets or gets the Global Management System country information.

### Syntax

```
gmscountry get
gmscountry set ["countryname"]
```

Parameter	Description
get	Returns the current country setting.
set	Sets the Global Management System country information when followed by the "countryname" parameter. To erase the current setting, omit "countryname".
"countryname"	Character string specifying the country. Enclose the string in quotation marks if it includes spaces. Example: "United States"

### Feedback Examples

- gmscountry get  
returns  
gmscountry <empty>
- gmscountry set Argentina  
returns  
gmscountry Argentina
- gmscountry get  
returns  
gmscountry Argentina

## gmsstate

Sets or gets the Global Management System state information.

### Syntax

```
gmsstate get
gmsstate set ["state"]
```

Parameter	Description
get	Returns the current state information.
set	Sets the Global Management System state information when followed by the "state" parameter. To erase the current setting, omit the "state" parameter.
"state"	Character string specifying the state information. Enclose the string in quotation marks if it includes spaces. Example: "West Virginia"

### Feedback Examples

- gmsstate get  
returns  
gmsstate <empty>
- gmsstate set Texas  
returns  
gmsstate Texas
- gmsstate get  
returns  
gmsstate Texas

## gmstechsupport

Sets or gets the Global Management System technical support phone number.

### Syntax

```
gmstechsupport get
gmstechsupport set ["tech_support_digits"]
```

Parameter	Description
get	Returns the current tech support phone number information.
set	Sets the technical support information when followed by the "tech_support_digits" parameter. To erase the current setting, omit "tech_support_digits".
"tech_support_digits"	Numeric string specifying the tech support phone number. Enclose the string in quotation marks if it includes spaces. Example: "408 555 2323"

### Feedback Examples

- gmstechsupport get  
returns  
gmstechsupport <empty>
- gmstechsupport set "408 555 2323"  
returns  
gmstechsupport 4085552323
- gmstechsupport get  
returns  
gmstechsupport 4085552323



## gmsurl

Gets the URL of the Global Management System server that manages your system. This command automatically appends "/pwx/vs\_status.asp".

### Syntax

```
gmsurl get {1..10}
gmsurl get all
```

Parameter	Description
get	Returns the current URL information for a selected server. A server must be specified.
{1..10}	Global Management System server number. The primary Global Management System server that performs account validation is always server 1.
all	Returns information for all Global Management System servers.

### Feedback Examples

- ```
gmsurl get 1
returns
gmsurl 1 192.168.1.101/pwx/nx_status.asp
```

Comments

When you are registered with the Global Management System, this information is automatically configured.

h239enable

Sets or gets the H.239 People+Content setting.

Syntax

```
h239enable get  
h239enable <yes|no>
```

| Parameter | Description |
|-----------|--|
| get | Returns the current setting. |
| yes | Enables H.239 People+Content on the system. |
| no | Disables H.239 People+Content on the system. |

Feedback Examples

- h239enable yes
returns
h239enable yes
- h239enable no
returns
h239enable no
- h239enable get
returns
h239enable no

h323name

Sets or gets the system's H.323 name.

Syntax

```
h323name get
h323name set ["H. 323name"]
```

| Parameter | Description |
|--------------|--|
| get | Returns the current setting. |
| set | Sets the H.323 name when followed by the "H. 323name" parameter. To erase this setting, omit the "H. 323name" parameter. |
| "H. 323name" | Character string specifying the H.323 name. Use quotation marks around strings that contain spaces. For example: "Pol ycom HDX Demo" |

Feedback Examples

- h323name set My
returns
h323name my
- h323name set "Pol ycom HDX Demo"
returns
h323name "pol ycom hdx demo"
- h323name get
returns
h323name "pol ycom hdx demo"

h331audiomode

Set or gets the audio protocol sent during H.331 calls. This command is only applicable if you have a V.35 network interface connected to your system.

Syntax

```
h331audiomode
<get | g729 | g728 | g711u | g711a | g722-56 | g722-48 | g7221-16 | g7221-24 |
g7221-32 | si ren14 | si ren14stereo | off>
```

| Parameter | Description |
|--|--|
| get | Returns the current setting. |
| g729 g728 g711u g711a g722-56 g722-48 g7221-16 g7221-24 g7221-32 si ren14 si ren14stereo | Sets the audio protocol to this value for H.331 calls. |
| off | Turns audio mode off for H.331 calls. |

Feedback Examples

- h331audiomode g.728
returns
h331audiomode g.728
- h331audiomode "si ren 14"
returns
h331audiomode "si ren 14"
- h331audiomode off
returns
h331audiomode off

Comments

This value cannot be changed during a call.

h331dualstream

Set or gets the dual stream setting used for H.331 calls. This command is only applicable if you have a V.35 network interface connected to your system.

Syntax

h331dual stream <get|on|off>

| Parameter | Description |
|-----------|--|
| get | Returns the current setting. |
| on | Turns on dual stream for H.331 calls. |
| off | Turns off dual stream for H.331 calls. |

Feedback Examples

- h331dual stream on
returns
h331dual stream on
- h331dual stream off
returns
h331dual stream off
- h331dual stream get
returns
h331dual stream off

Comments

This value cannot be changed during a call.

h331framerate

Sets or gets the frame rate sent during H.331 calls. This command is only applicable if you have a V.35 network interface connected to your system.

Syntax

```
h331framerate <get|30|15|10|7.5>
```

| Parameter | Description |
|--------------|--|
| get | Returns the current setting. |
| 30 15 10 7.5 | Sets the frame rate to this value for H.331 calls. |

Feedback Examples

- h331framerate 15
returns
h331framerate 15
- h331framerate 30
returns
h331framerate 30
- h331framerate get
returns
h331framerate 30

Comments

This value cannot be changed during a call.

h331videofORMAT

Sets or gets the video format for H.331 calls. This command is only applicable if you have a V.35 network interface connected to your system.

Syntax

```
h331vi deoformat <get|fci f>
```

| Parameter | Description |
|-----------|--|
| get | Returns the current setting. |
| fci f | Sets the video format to FCIF for H.331 calls. |

Feedback Examples

- h331vi deoformat fci f
returns
h331vi deoformat fci f
- h331vi deoformat get
returns
h331vi deoformat fci f

h331videoprotocol

Sets or gets the H.331 video protocol sent during H.331 calls. This command is only applicable if you have a V.35 network interface connected to your system.

Syntax

```
h331vi deoprotocol <get|h264|h263+|h263|h261>
```

| Parameter | Description |
|----------------------|--|
| get | Returns the current setting. |
| h264 h263+ h263 h261 | Sets the video protocol to this value for H.331 calls. |

Feedback Examples

- h331vi deoprotocol h264
returns
h331vi deoprotocol h264
- h331vi deoprotocol h263+
returns
h331vi deoprotocol h263+
- h331vi deoprotocol get
returns
h331vi deoprotocol h263+

Comments

This value cannot be changed during a call.

hangup

Hangs up the current video or phone call.

Syntax

```
hangup phone
hangup video ["callid"]
hangup all
```

| Parameter | Description |
|-----------|---|
| phone | Disconnects the current analog phone (audio-only) site. |
| video | Disconnects the current video call. If the "callid" parameter is omitted, the system disconnects all video far sites in the call. |
| all | Disconnects all video and audio sites in the call. |

Feedback Examples

- ```
hangup video
returns
hanging up video
```
- ```
hangup video 42
returns
hanging up video
and disconnects the specified site, leaving other sites connected
```
- ```
If callstate register is used for notifications,
hangup video 42
returns
hanging up video
cleared: call[42]
dialstring[IP: 192. 168. 1. 101 NAME: Polycom HDX Demo]
ended: call[42]
and disconnects the specified site, leaving other sites connected
```

## Comments

After sending the hangup command, feedback that the call has ended can take up to 15 seconds.

## history

Lists the last commands used in the current session.

### Syntax

hi story

### Feedback Examples

- hi story  
returns  
1 ipaddress set 192.168.1.101  
2 hostname set My  
3 lanport 100fdx  
4 callstate register  
5 lanport get  
6 hi story

### Comments

If more than 64 commands have been issued, only the last 64 are displayed, with the most recent always at the bottom.

## homecallquality

Sets or gets whether users are allowed to select the bandwidth for calls from the Place a Call screen.

### Syntax

homecallquality <get|yes|no>

Parameter	Description
get	Returns the current setting.
yes	Displays the Call Quality menu on the home Place a Call screen.
no	Removes the Call Quality menu from the Place a Call screen.

### Feedback Examples

- homecallquality yes  
returns  
homecallquality yes
- homecallquality no  
returns  
homecallquality no
- homecallquality get  
returns  
homecallquality no

## homemultipoint (deprecated)

Sets or gets whether users are allowed to access the multipoint dialing screen via a **Multipoint** button on the home screen. This command has been deprecated.

### Syntax

```
homemultipoint <get|yes|no>
```

Parameter	Description
get	Returns the current setting.
yes	Displays the <b>Multipoint</b> button on the Home screen.
no	Removes the <b>Multipoint</b> button from the Home screen.

### Feedback Examples

- homemultipoint yes  
returns  
homemultipoint yes
- homemultipoint no  
returns  
homemultipoint no
- homemultipoint get  
returns  
homemultipoint no

### Comments

This option is only available if multipoint calling is enabled.

## homerecentcalls

Sets or gets whether users are allowed to access a list of recent calls made with the system by displaying the **Recent Calls** button on the Home screen.

### Syntax

```
homerecentcalls <get|yes|no>
```

Parameter	Description
get	Returns the current setting.
yes	Displays the <b>Recent Calls</b> button on the Home screen.
no	Removes the <b>Recent Calls</b> button from the Home screen.

### Feedback Examples

- homerecentcalls yes  
returns  
homerecentcalls yes
- homerecentcalls no  
returns  
homerecentcalls no
- homerecentcalls get  
returns  
homerecentcalls no

### Comments

This option is only available if the Call Detail Report option is enabled.

## homesystem

Sets or gets whether users are allowed to access the System screen by displaying the **System** button on the Home screen.

### Syntax

homesystem <get|yes|no>

Parameter	Description
get	Returns the current setting.
yes	Displays the <b>System</b> button on the Home screen.
no	Removes the <b>System</b> button from the Home screen.

### Feedback Examples

- homesystem yes  
returns  
homesystem yes
- homesystem no  
returns  
homesystem no
- homesystem get  
returns  
homesystem no

## homesystemname

Sets or gets whether to display the name of the system on the Home screen, above the PIP window.

### Syntax

homesystemname <get|yes|no>

Parameter	Description
get	Returns the current setting.
yes	Displays the system name on the Home screen.
no	Removes the system name from the Home screen.

### Feedback Examples

- homesystemname yes  
returns  
homesystemname yes
- homesystemname no  
returns  
homesystemname no
- homesystemname get  
returns  
homesystemname no

## hostname

Sets or gets the LAN host name, which is assigned to the system for TCP/IP configuration and can be used in place of an IP address when dialing IP calls.

### Syntax

```
hostname get
hostname set ["hostname"]
```

Parameter	Description
get	Returns the current setting.
set	Sets the system's LAN host name when followed by the "hostname" parameter. If "hostname" is omitted, the system automatically sets it to Admin.
"hostname"	Character string specifying the LAN host name of the system. The LAN host name follows these format rules: Starts with a letter (A-a to Z-z). It is not case sensitive. Ends with a letter (A-a to Z-z) or a number (0 to 9). May include letters, numbers, and a hyphen. May not be longer than 63 characters.  Note: The LAN host name is initialized during the out-of-box setup sequence. The LAN host name is the same as the system name, if the system name conforms to the rules above. If the system name does not conform to these rules, the invalid characters are removed from the system name. If the resulting string is empty, the default LAN host name is Admin.

### Feedback Examples

- hostname set  
returns  
hostname ADMIN
- hostname set "My"  
returns  
hostname My
- hostname get  
returns  
hostname My



**Comments**

A LAN host name is required; it cannot be deleted or left blank. After making a change, you must restart the system for the setting to take effect.

## icmpoutpacketrates

Specify minimum number of milliseconds between packets to limit the ICMP packet transmission rate.

### Syntax

```
icmpoutpacketrates get
icmpoutpacketrates set {0..60000}
```

Parameter	Description
get	Returns the minimum number of milliseconds between transmitted ICMP packets.
set	Sets the minimum number of milliseconds between transmitted ICMP packets.
{0..60000}	The packet rate. This must be an integer in the range {0..60000}. 1000=1 packet per second.

### Feedback Examples

- icmpoutpacketrates get  
returns  
icmpoutpacketrates 1000
- icmpoutpacketrates set 1001  
returns  
icmpoutpacketrates 1001

### Comments

Applicable for both IPv4 and IPv6 configurations. When 0 is specified, the ICMP packet transmission rate limit is turned off.

After making a change, you must restart the system for the setting to take effect.

### See Also

[destunreachables](#) on page 4-97.

## ignoreredirect

Sets or gets the ability of the system to redirect messages, which may come from a router as part of the IPv6 Neighbor Discovery protocol.

### Syntax

```
ignoreredirect get
ignoreredirect <yes | no>
```

Parameter	Description
get	Returns the current IPv6 ignore redirect setting.
yes	Enables the IPv6 ignore redirect setting.
no	Disables the IPv6 ignore redirect setting.

### Feedback Examples

- ```
ignoreredirect get  
returns  
ignoreredirect no
```
- ```
ignoreredirect set yes
returns
ignoreredirect yes
```

### Comments

This setting is applicable for both IPv4 and IPv6 configurations.

After making a change, you must restart the system for the setting to take effect.

## importdirectory

Imports a directory in CSV or XML format

### Syntax

```
importdirectory
<import data line 1>
<import data line 2>
<import data line 3>
.
.
.
importcomplete
```

### Feedback Examples

- ```
importdirectory
<?xml version="1.0" encoding="UTF-8" ?>
<addresses>
<entrytype type="entry" name="Polycom Austin USA IP"
file="Polycom_Austin_USA_IP.abk"
uniqueid="Polycom_Austin_USA_IP.abk">
<address filename="Polycom_Austin_USA_IP.abk" language=""
displayname="" name="Polycom Austin USA IP">
<h323 address="lobby.austin.polycom.com" speed="256"/>
</address>
</entrytype>
<entrytype type="entry" name="Polycom Hong Kong"
file="Polycom_Hong_Kong.abk"
uniqueid="Polycom_Hong_Kong.abk">
<address filename="Polycom_Hong_Kong.abk" language=""
displayname="" name="Polycom Hong Kong">
<isdn country_code="852" area_code="2876" numberA="9466"
numberB="9466" speed="2x64"/>
</address>
</addresses>
</xml >
importcomplete
returns
importdirectory succeeded
```
- ```
importdirectory
A, B, C, D, E, F, G, H, I, J, K, L, M, N, O, P, Q, R, S, T, U, V, W, X, Y, Z, AA, AB, AC, AD, AE, AF, AG, AH, AI, AJ, AK, AL, AM, AN, AO, AP, AQ, AR, AS, AT, AU, AV, AW, AX, AY, AZ, BA, BB, BC, BD, BE, BF, BG, BH, BI, BJ, BK, BL, BM, BN, BO, BP, BQ, BR, BS, BT, BU, BV, BW, BX, BY, BZ, CA, CB
```

File Name, Entry Name, ISDN Country Code, ISDN Area Code, ISDN



## Comments

When importing XML-formatted data, the imported data must be in the same format as was obtained from the Polycom HDX system via the [exportdirectory](#) command on page 4-133 or the export directory utility in the web interface.

Duplicate entries are overwritten; other entries in the imported directory are added into the system's local directory.

All of the lines entered into the session after `importdirectory` is issued are interpreted as directory data.

Issuing the `importcomplete` command on its own line indicates that the directory import is complete.

If no data is received for 60 seconds during import, the import ends, and an "importdirectory timed out" error response is sent to the API session. All previous data entered is ignored.

Additional usage notes:

- Polycom HDX systems running software version 2.6 or later can import directory data exported from systems running version 2.6 and earlier versions.
- Polycom HDX systems running software versions earlier than 2.6 cannot import directory data exported by systems running software version 2.6 or later.

## See Also

See the [exportdirectory](#) command on page 4-133.

## importprofile

Imports system and user profile information in a CSV format. The input is submitted through the telnet or serial port.

### Syntax

```
importprofile
<import data line 1>
<import data line 2>
<import data line 3>
. . .
importcomplete
```

### Feedback Examples

```
importprofile
h323name, s8w
hdaccelerator, BrutusT
avayaenabled, ""
systemsoftwareversion_prev, 2. 6. 0
ipmaxincoming, 4096
speakervolume, 25
sysname, s8w
speedstranslated, Auto-128-256-384-512-768-1024-1472-1920-4096
directoryinfoupdated, True
pwcreateiteminremoteuser0, 0
.
.
.
buildmodel, ROOSEVELT
homebutton, MAKEACALL
dialnumberext, ""
mp8enabled, ""
lastloginfromadmin, Local
timezone, CST
presence, AVAILABLE
profilechecksum, 16813327827
importcomplete

importprofile succeeded
```

### Comments

When importing profile data, the imported data must be in the same format as was obtained from the Polycom HDX system via the [exportprofile](#) command on page 4-135 or the export profile utility in the web interface. When

importing profile data back into the system, use the data in its entirety (not edited in any form). The system may use the checksum utility to verify of integrity of the data when imported back into the system.

`importprofile` succeeded is returned to indicate that the profile data has been imported.

A reboot of the system is required after successfully importing system and user profile information and will occur automatically after the import is complete.

### **See Also**

See the [exportprofile](#) command on page 4-135.



## incompleterevoationcheck

Sets or gets the ability to use or reject a certificate if revocation checking is incomplete.

### Syntax

```
incompleterevoationcheck get
incompleterevoationcheck set <yes|no>
```

Parameter	Description
get	Returns the current setting.
set	Sets the certificate validation setting.
yes	Allows the system to continue to use a certificate in some cases if revocation checking is incomplete.
no	Rejects a certificate with incomplete revocation checking.

### Feedback Examples

- ```
incompleterevoationcheck get
returns
incompleterevoationcheck yes
```
- ```
incompleterevoationcheck set yes
returns
incompleterevoationcheck yes
```
- ```
incompleterevoationcheck set no
returns
incompleterevoationcheck no
```

Comments

After making a change, you must restart the system for the setting to take effect.

ipaddress

Sets or gets the LAN IP address (IPv4) of the system.

Syntax

```
iaddress get  
iaddress set "xxx.xxx.xxx.xxx"
```

| Parameter | Description |
|-------------------|--|
| get | Returns the current setting. |
| set | Sets the LAN IP address to the "xxx.xxx.xxx.xxx" parameter. This setting can only be changed when DHCP is off. |
| "xxx.xxx.xxx.xxx" | IP address of the system. |

Feedback Examples

- iaddress set 192.168.1.101
returns
iaddress 192.168.1.101
- iaddress get
returns
iaddress 192.168.1.101

Comments

Use this command when you need to allocate a static IP address to your system. After making a change, you must restart the system for the setting to take effect.

ipdialspeed

Sets or gets the valid IP dialing speed, and enables or disables the specified speed.

Syntax

```
ipdialspeed get "valid speed"
ipdialspeed set "valid speed" <on|off>
```

| Parameter | Description |
|---------------|--|
| get | Returns the current setting. The parameter "valid speed" is required. |
| "valid speed" | Valid speeds are: 56, 64, 2x56, 112, 2x64, 128, 168, 192, 224, 256, 280, 320, 336, 384, 392, 7x64, 504, 512, 560, 576, 616, 640, 672, 704, 728, 768, 784, 832, 840, 14x64, 952, 960, 1008, 1024, 1064, 1088, 1120, 1152, 1176, 1216, 1232, 1280, 1288, 21x64, 1400, 1408, 1456, 1472, 1512, 1536, 1568, 1600, 1624, 1664, 1680, 1728, 1792, 1856, 1920, 1960, 1984, 2016, 2048, 2304, 2560, 2816, 3072, 3328, 3584, 3840, and 4096 kbps. |
| set | Sets the IP dialing speed. The parameters "valid speed" and on or off are required. |
| on | Enables the specified speed. |
| off | Disables the specified speed. |

Feedback Examples

- ipdialspeed set 168 on
returns
ipdialspeed set 168 on
- ipdialspeed set 168 off
returns
ipdialspeed set 168 off
- ipdialspeed get 168
returns
ipdialspeed 168 off

Comments

The Polycom HDX system does not support separate settings for IP and ISDN dialing speeds. When you change a setting using this command, the settings associated with the [isdndialspeed](#) command on page [4-218](#) also change, and vice versa.

ipisdninfo

Sets or gets whether the Home screen displays IP information, ISDN information, both, or neither.

Syntax

```
i pi sdn i nfo <get|both|i p-onl y|i sdn-onl y|none>
```

| Parameter | Description |
|-------------|---|
| get | Returns the current setting. |
| both | Displays IP and ISDN information on the Home screen. |
| i p-onl y | Displays only IP information on the Home screen. |
| i sdn-onl y | Displays only ISDN information on the Home screen. |
| none | Does not display any IP or ISDN information on the Home screen. |

Feedback Examples

- i pi sdn i nfo i p-onl y
returns
i pi sdn i nfo i p-onl y
- i pi sdn i nfo both
returns
i pi sdn i nfo both
- i pi sdn i nfo get
returns
i pi sdn i nfo both

ipprecaudio, ipprefecc, ipprecvideo

Sets or gets the IP Precedence priority level (Type of Service Value) for audio, far-end camera control (FECC) and other call control channels, and video. The value for each can be between 0 and 7.

Syntax

```
ipprecaudio get
ipprecaudio set {0..7}
ipprefecc get
ipprefecc set {0..7}
ipprecvideo get
ipprecvideo set {0..7}
```

| Parameter | Description |
|-----------|--|
| get | Returns the current setting. |
| set | Sets the IP precedence. A priority level is required. This must be an integer in the range {0..7}. |

Feedback Examples

- ipprecaudio set 5
returns
ipprecaudio 5
- ipprecaudio get
returns
ipprecaudio 5

Comments

The ipprefecc command is equivalent to the Control setting in the user interface.

If the [typeservice](#) command on page 4-444 is set to `diffserv`, these commands are not applicable.

ipv6addrmode

Sets or gets the ability for the system to act as a client and receive an address, specify an address manually, or completely disable IPv6.

Syntax

```
ipv6addrmode <get|client|manual|off>
```

| Parameter | Description |
|-----------|--|
| get | Returns the current setting. |
| client | IPv6 addresses from network elements. |
| manual | Allows full configuration of IPv6 addresses. |
| off | Disables IPv6 addressing. |

Feedback Examples

- `ipv6addrmode get`
returns
`ipv6addrmode client`
- `ipv6addrmode off`
returns
`ipv6global address off`

Comments

This setting is applicable for both IPv4 and IPv6 configurations.

After making a change, you must restart the system for the setting to take effect.

ipv6globaladdress

Sets or gets the IPv6 link global address.

Syntax

```
ipv6globaladdress get
ipv6globaladdress set "ipv6 global address"
```

| Parameter | Description |
|--------------------------|--------------------------------|
| get | Returns the current setting. |
| set | Sets the IPv6 global address. |
| ipv6 link global address | The local IPv6 global address. |

Feedback Examples

- ```
ipv6globaladdress get
returns
ipv6globaladdress 2002: ac1a: 140: 0: 2e0: dbff: fe08: a03a/64
```
- ```
ipv6globaladdress set 2002: ac1a: 140: 0: 2e0: dbff: fe08: a03a/64
returns
ipv6globaladdress 2002: ac1a: 140: 0: 2e0: dbff: fe08: a03a/64
```

Comments

After making a change, you must restart the system for the setting to take effect. This setting can be changed only when `ipv6addrmode` is set to **manual**.

See Also

[ipv6addrmode](#) on page 4-209

ipv6defaultgateway

Sets or gets the IPv6 default gateway.

Syntax

```
ipv6default gateway get
ipv6default gateway set "ipv6 link local address"
```

| Parameter | Description |
|----------------------|---------------------------------|
| get | Returns the current setting. |
| set | Sets the IPv6 default gateway. |
| ipv6 default gateway | The local IPv6 default gateway. |

Feedback Examples

- `ipv6default gateway get`
returns
`ipv6default gateway fe80::213:5fff:fe2f:2e4a`
- `ipv6default gateway set fe80::213:5fff:fe2f:2e4a`
returns
`ipv6default gateway fe80::213:5fff:fe2f:2e4a`

Comments

After making a change, you must restart the system for the setting to take effect. This setting can be changed only when `ipv6addrmode` is set to **manual**.

See Also

[ipv6addrmode](#) on page 4-209

ipv6linklocal

Sets or gets the IPv6 link local address.

Syntax

```
ipv6linklocal get
ipv6linklocal set "ipv6 link local address"
```

| Parameter | Description |
|-------------------------|------------------------------------|
| get | Returns the current setting. |
| set | Sets the IPv6 link local address. |
| ipv6 link local address | The local IPv6 link local address. |

Feedback Examples

- `ipv6linklocal get`
returns
`ipv6linklocal fe80::2e0:dbff:fe08:a03a/64`
- `ipv6linklocal set fe80::2e0:dbff:fe08:a03a/64`
returns
`ipv6linklocal fe80::2e0:dbff:fe08:a03a/64`

Comments

After making a change, you must restart the system for the setting to take effect. This setting can be changed only when `ipv6addrmode` is set to **manual**.

See Also

[ipv6addrmode](#) on page 4-209

ipv6sitelocal

Sets or gets the IPv6 site local address.

Syntax

```

i pv6si tel ocal get
i pv6si tel ocal set "i pv6 si te l ocal address"

```

| Parameter | Description |
|----------------------------|------------------------------------|
| get | Returns the current setting. |
| set | Sets the IPv6 site local address. |
| i pv6 si te l ocal address | The local IPv6 site local address. |

Feedback Examples

- ```

i pv6si tel ocal get
returns
i pv6si tel ocal fed0:0:140:1:2e0:dbff:fe08:a03a/64

```
- ```

i pv6si tel ocal set fed0:0:140:1:2e0:dbff:fe08:a03a/64
returns
i pv6si tel ocal fed0:0:140:1:2e0:dbff:fe08:a03a/64

```

Comments

After making a change, you must restart the system for the setting to take effect. This setting can be changed only when `ipv6addrmode` is set to manual.

See Also

[ipv6addrmode](#) on page 4-209.

ipstat

Returns the LAN host name, WINS resolution, DHCP, IP address, DNS servers 1-4, default gateway, WINS server, and subnet mask.

Syntax

ipstat

Feedback Examples

- ipstat
returns
hostname My
winsresolution no
dhcp client
ipaddress 192.168.1.101
dnserver 192.168.1.102
dnserver1 192.168.1.103
dnserver2 192.168.1.104
dnserver3 0.0.0.0
defaultgateway 192.168.1.105
subnetmask 255.255.255.0
winsserver 192.168.1.106
lanport auto
webaccessport 80

isdnareacode

Sets or gets the ISDN area code or STD code associated with the area where the system is used. This command is only applicable if you have an ISDN network interface connected to your system.

Syntax

```
isdnareacode get  
isdnareacode set ["area code"]
```

| Parameter | Description |
|-------------|---|
| get | Returns the area code information. |
| set | Sets the ISDN area code when followed by the "area code" parameter. To erase the current setting, omit "area code". |
| "area code" | Numeric value. |

Feedback Examples

- isdnareacode set 700
returns
isdnareacode 700
- isdnareacode get
returns
isdnareacode 700

isdncountrycode

Sets or gets the ISDN country code associated with the country where the system is used. This command is only applicable if you have an ISDN network interface connected to your system.

Syntax

```
isdncountrycode get  
isdncountrycode set ["country code"]
```

| Parameter | Description |
|----------------|--|
| get | Returns the country code information. |
| set | Sets the ISDN country code when followed by the "country code" parameter. To erase the current setting, omit "country code". |
| "country code" | The ISDN country code. |

Feedback Examples

- isdncountrycode set 1
returns
isdncountrycode 1
- isdncountrycode get
returns
isdncountrycode 1

Comments

The system is generally able to automatically determine the country code based on the country you selected during initial system setup.

isdndialingprefix

Sets or gets the ISDN dialing prefix used to access an outside line if the system is behind a PBX. This command is only applicable if you have an ISDN network interface connected to your system.

Syntax

```
isdndialingprefix get  
isdndialingprefix set ["isdnprefix"]
```

| Parameter | Description |
|--------------|--|
| get | Returns the dialing prefix. |
| set | Sets the ISDN prefix when followed by the "isdnprefix" parameter. To erase the current setting, omit "isdnprefix". |
| "isdnprefix" | The digit(s) that must be dialed to reach an outside line. |

Feedback Examples

- isdndialingprefix set 9
returns
isdndialingprefix 9
- isdndialingprefix get
returns
isdndialingprefix 9

isdndialspeed

Sets or gets the valid dialing speed of the ISDN network interface. This command only applies if an ISDN network interface is connected to a system.

Syntax

```
isdndial speed get "val i d speed"
isdndial speed set "val i d speed" <on|off>
```

| Parameter | Description |
|-----------------|--|
| get | Returns the current setting. The parameter "val i d speed" is required. |
| set | Sets the ISDN dialing speed. The parameters "val i d speed" and on or off are required. |
| "val i d speed" | Valid speeds are: 56, 64, 2x56, 112, 2x64, 128, 168, 192, 224, 256, 280, 320, 336, 384, 392, 7x64, 504, 512, 560, 576, 616, 640, 672, 704, 728, 768, 784, 832, 840, 14x64, 952, 960, 1008, 1024, 1064, 1088, 1120, 1152, 1176, 1216, 1232, 1280, 1288, 21x64, 1400, 1408, 1456, 1472, 1512, 1536, 1568, 1600, 1624, 1664, 1680, 1728, 1792, 1856, and 1920 kbps.

Note: The highest speed for BRI systems is 512 kbps, the highest speed for T1 systems is 1472 kbps, and the highest speed for E1 systems is 1920 kbps. |
| on | Enables the specified speed. |
| off | Disables the specified speed. |

Feedback Examples

- isdndial speed set 256 on
returns
isdndial speed set 256 on
- isdndial speed set 168 off
returns
isdndial speed set 168 off
- isdndial speed get 168
returns
isdndial speed 168 off

Comments

The Polycom HDX system does not support separate settings for ISDN and IP dialing speeds. When you change a setting using this command, the settings associated with the [ipdialspeed](#) command on page [4-205](#) also change, and vice versa.

isdnum

Sets or gets the ISDN video number or numbers assigned to the system. This command is only applicable if you have an ISDN network interface connected to your system.

Syntax

```
isdnum get <1b1|1b2|2b1|2b2|3b1|3b2|4b1|4b2>
```

```
isdnum set <1b1|1b2|2b1|2b2|3b1|3b2|4b1|4b2> ["number"]
```

| Parameter | Description |
|---------------------------------|---|
| get | Returns the current ISDN number associated with the specified B channel. |
| set | Sets the ISDN number for a B channel line when followed by the "number" parameter. To erase the current setting, omit "number". This parameter is not allowed while in a call. |
| 1b1 1b2 2b1 2b2 3b1 3b2 4b1 4b2 | The line and B channel. Valid values are:
1b1BRI line 1, B channel 1
1b2BRI line 1, B channel 2
2b1BRI line 2, B channel 1
2b2BRI line 2, B channel 2
3b1BRI line 3, B channel 1
3b2BRI line 3, B channel 2
4b1BRI line 4, B channel 1
4b2BRI line 4, B channel 2 |
| "number" | The ISDN number(s) provided by your network service provider for the specified B channel. |

Feedback Examples

- ```
isdnum set 1b1 "700 555 1212"
returns
isdnum 1b1 7005551212
```
- ```
isdnum get 1b1
returns
isdnum 1b1 7005551212
```

Comments

The `isdnum set 1b1` and `isdnum get 1b1` commands can be used for BRI and for PRI lines.

isdnswitch

Sets or gets the ISDN switch protocol. This command is only applicable if you have an ISDN network interface connected to your system.

Syntax

```
isdnswi tch get
isdnswi tch <pt-to-pt_at&t_5_ess|mul ti poi nt_at&t_5_ess|ni -1>
isdnswi tch <nortel_dms-100|standard_etsi_euro-i sdn|ts-031|ntt_i ns-64>
```

| Parameter | Description |
|---|--|
| get | Returns the current switch protocol. |
| pt-to-pt_at&t_5_ess
mul ti poi nt_at&t_5_ess
ni -1 nortel_dms-100
standard_etsi_euro-i sdn
ts-031 ntt_i ns-64 | Specifies the ISDN switch protocol to use. |

Feedback Examples

- `isdnswi tch pt-to-pt_at&t_5_ess`
returns
`isdnswi tch pt-to-pt_at&t_5_ess`
- `isdnswi tch nortel_dms-100`
returns
`isdnswi tch nortel_dms-100`
- `isdnswi tch get`
returns
`isdnswi tch nortel_dms-100`

Comments

If more than one switch protocol is supported, you must find out from your telephone service provider which protocol to select. If you change the country settings, a new set of ISDN switch protocols is loaded.

See Also

To set the switch type for PRI systems, use the [priswitch](#) command on page 4-293.

keypadaudioconf

Sets or gets the keypad audio confirmation. When this option is enabled, an audio response is echoed when a numeric key is pressed on the remote control.

Syntax

```
keypadaudioconf <get|yes|no>
```

| Parameter | Description |
|-----------|------------------------------|
| get | Returns the current setting. |
| yes | Enables audio confirmation. |
| no | Disables audio confirmation. |

Feedback Examples

- keypadaudioconf yes
returns
keypadaudioconf yes
- keypadaudioconf no
returns
keypadaudioconf no
- keypadaudioconf get
returns
keypadaudioconf no

language

Sets or gets the language that will display on the system.

Syntax

```
language <set|get>
```

```
language set <arabi c|chi nese|engl i shuk|engl i shus|french|german|  
hungari an|i tal i an|j apanese|korean|norwegi an|pol i sh|portuguese|  
russi an|spani sh|tradi ti onal _chi nese>
```

| Parameter | Description |
|-----------|---|
| get | Returns the current language used on the system. |
| set | Sets the specified language. Requires a language parameter. |

Feedback Examples

- language set german
returns
language german
- language get
returns
language german

lanport

Sets or gets the LAN port settings of the system.

Syntax

lanport

<get | auto | autohdx | autofdx | 10hdx | 10fdx | 100hdx | 100fdx | 1000hdx | 1000fdx>

| Parameter | Description |
|--|--|
| get | Returns the current setting. |
| auto autohdx autofdx 10hdx 10fdx 100hdx 100fdx 1000hdx 1000fdx | <p>Sets the LAN speed and duplex mode. This parameter is not allowed while in a call.</p> <p>auto: Automatically negotiates the LAN speed and duplex mode.</p> <p>autohdx: Automatically negotiates the LAN speed but specifies half-duplex mode.</p> <p>autofdx: Automatically negotiates the LAN speed but specifies full-duplex mode.</p> <p>10hdx: 10 Mbps, half duplex</p> <p>10fdx: 10 Mbps, full duplex</p> <p>100hdx: 100 Mbps, half duplex</p> <p>100fdx: 100 Mbps, full duplex</p> <p>1000hdx: 1000 Mbps, half duplex</p> <p>1000fdx: 1000 Mbps, full duplex</p> |

Feedback Examples

- ```
lanport auto
returns
lanport auto
restart system for changes to take effect. restart now? <y,n>
```
- ```
lanport get
returns
lanport auto
```

Comments

After making a change, you are prompted to restart the system.

ldapauthenticationtype

Sets or gets the authentication type required to authenticate with an LDAP server.

Syntax

```
ldapauthenticationtype get
```

```
ldapauthenticationtype set <anonymous|basic|ntlm>
```

| Parameter | Description |
|-----------|--|
| get | Returns the current setting. |
| set | Sets the authentication type of an LDAP server.
Note: This parameter does not change the setting on the server. Instead, this parameter changes how the Polycom system recognizes the server. |
| anonymous | Specifies "anonymous" as the authentication type of an LDAP server. |
| basic | Specifies "basic" as the authentication type of an LDAP server. |
| ntlm | Specifies "ntlm" as the authentication type of an LDAP server. This is the default setting. |

Feedback Examples

- ldapauthenticationtype get
returns
ldapauthenticationtype anonymous
- ldapauthenticationtype set basic
returns
ldapauthenticationtype basic
- ldapauthenticationtype set ntlm
returns
ldapauthenticationtype ntlm

ldapbasedn

Sets or gets the base distinguished name (DN) of an LDAP server.

Syntax

```
ldapbasedn get
ldapbasedn set ["base dn"]
```

| Parameter | Description |
|-----------|---|
| get | Returns the current setting. |
| set | Sets the base DN of an LDAP server. To erase the current setting, omit the "base dn" parameter.
Notes: This parameter does not change the setting on the server. Instead, this parameter changes how the Polycom system recognizes the server. |
| "base dn" | Specifies the base DN of an LDAP server.
Valid characters include:
Unicode (ISO-10646) characters, including IA5/ASCII characters and extended characters such as é, Ø, and å. |

Feedback Examples

- ```
ldapbasedn get
returns
ldapbasedn dc=hardware, dc=domain, dc=Polycom, dc=com
where:
dc=domain component
```
- ```
ldapbasedn set dc=software, dc=domain, dc=Polycom, dc=com
returns
ldapbasedn dc=software, dc=domain, dc=Polycom, dc=com
where:
dc=domain component
```


ldapbinddn

Sets or gets the bind DN for LDAP Simple Authentication.

Syntax

```
ldapbinddn get
ldapbinddn set ["bind dn"]
```

| Parameter | Description |
|-----------|---|
| get | Returns the current setting. |
| set | Sets the bind DN for LDAP Simple Authentication. To erase the current setting, omit the "bind dn" parameter.
Note: This parameter does not change the setting on the server. Instead, this parameter changes how the Polycom system recognizes the server. |
| "bind dn" | Specifies the bind DN of an LDAP server.
Valid characters include:
Unicode (ISO-10646) characters, including IA5/ASCII characters and extended characters such as é, Ø, and å. |

Feedback Examples

- ```
ldapbinddn get
returns
ldapbinddn cn=pl cm adm n1, ou=pl cmsupport, ou=pl cmhel p,
dc=hardware, dc=domai n, dc=pol ycom, dc=com
where:
cn=common name
ou=organi zational uni t
dc=domai n component
```
- ```
ldapbinddn set cn=pl cm
adm n2, ou=pl cmaccounts, ou=pl cmservi ce,
dc=hardware, dc=domai n, dc=pol ycom, dc=com
returns
ldapbinddn cn=pl cm adm n2, ou=pl cmaccounts, ou=pl cmservi ce,
dc=hardware, dc=domai n, dc=pol ycom, dc=com
where:
cn=common name
ou=organi zational uni t
dc=domai n component
```

ldapdirectory

Sets or gets whether the LDAP directory server is enabled.

Syntax

```
ldapdirectory <get|yes|no>
```

| Parameter | Description |
|-----------|--|
| get | Returns the current setting. |
| yes | Enables the LDAP directory server. |
| no | Disables the LDAP directory server. This is the default setting. |

Feedback Examples

- ldapdirectory get
returns
ldapdirectory yes
- ldapdirectory no
returns
ldapdirectory no

Comments

Each Polycom system supports a single global directory server at any given time. Therefore, enabling the LDAP directory server automatically disables any other global directory server, such as the Polycom GDS directory server, that is enabled.

If the Polycom GDS directory server and another directory server are defined on the system, the Polycom GDS directory server becomes the default directory server after upgrading the system software.

ldapntlmdomain

Sets or gets the domain in which authentication takes place in the Active Directory server.

Syntax

```
ldapntlmdomain get
ldapntlmdomain set ["domain"]
```

| Parameter | Description |
|-----------|---|
| get | Returns the current setting. |
| set | Sets the domain in which authentication takes place in the Active Directory server. To erase the current setting, omit the "domain" parameter.
Note: This parameter does not change the setting on the server. Instead, this parameter changes how the Polycom system recognizes the server. |
| "domain" | Specifies the domain in which authentication takes place in the Active Directory server.
Valid characters include:
0 through 9, a through z, A through Z, hyphen (-), and period (.)
Note: The domain name cannot begin or end with a hyphen or a period. |

Feedback Examples

- ldapntlmdomain get
returns
ldapntlmdomain AUSTIN
- ldapntlmdomain set ANDOVER
returns
ldapntlmdomain ANDOVER

ldappassword

Sets the password for Simple or NT LAN Manager (NTLM) authentication of an LDAP server.

Syntax

```
ldappassword set <ntlm|basic> ["password"]
```

| Parameter | Description |
|------------|--|
| set | Sets the password for Simple or NTLM authentication of an LDAP server. To erase the current setting, omit the "password" parameter.

Note: This parameter does not change the setting on the server. Instead, this parameter changes how the Polycom system recognizes the server. |
| ntlm | Specifies setting the password for NTLM authentication of an LDAP server. |
| basic | Specifies setting the password for Simple authentication of an LDAP server. |
| "password" | Specifies the password for Simple or NTLM authentication of an LDAP server.

Valid characters include:
Unicode (ISO-10646) characters, including IA5/ASCII characters and extended characters such as é, Ø, and å.

Note: The server administrator may specify additional restrictions for password creation. |

Feedback Examples

- ldappassword set ntlm P!cmp@s5wd
returns
ldappassword NTLM P!cmp@s5wd
- ldappassword set basic P0!yc0mp@s5
returns
ldappassword BASIC P0!yc0mp@s5

ldapsveraddress

Sets or gets the LDAP server address.

Syntax

```
ldapsveraddress get
ldapsveraddress set ["address"]
```

| Parameter | Description |
|-----------|---|
| get | Returns the current setting. |
| set | Sets the IP address or the DNS name of an LDAP server. To erase the current setting, omit the "address" parameter.

Note: This parameter does not change the setting on the server. Instead, this parameter changes how the Polycom system recognizes the server. |
| "address" | Specifies the IP address or the DNS name of an LDAP server.

The DNS name requires alphanumeric characters. Valid characters include:
0 through 9
a through z
A through Z
-

Note: The "-" character cannot be used as the first or last character in the DNS name. |

Feedback Examples

- `ldapsveraddress get`
returns
`ldapsveraddress hardware.domain.polycom.com`
- `ldapsveraddress set software.domain.polycom.com`
returns
`ldapsveraddress software.domain.polycom.com`

ldapserverport

Sets or gets the port number of an LDAP server.

Syntax

```
ldapserverport get
```

```
ldapserverport set ["port number"]
```

| Parameter | Description |
|---------------|--|
| get | Returns the current setting. |
| set | Sets the port number of an LDAP server. To erase the current setting, omit the "port number" parameter.
Note: This parameter does not change the setting on the server. Instead, this parameter changes how the Polycom system recognizes the server. |
| "port number" | Specifies the port number of an LDAP server. The default setting is 389. |

Feedback Examples

- ldapserverport get
returns
ldapserverport 389
- ldapserverport set 636
returns
ldapserverport 636

ldapsslenabled

Sets or gets the Secure Sockets Layer (SSL)/Transport Layer Security (TLS) encryption state for LDAP operations.

Syntax

```
ldapssl enabled get
ldapssl enabled set [on|off]
```

| Parameter | Description |
|-----------|---|
| get | Returns the current setting. |
| set | Sets the SSL encryption state for LDAP operations.
Note: This parameter does not change the setting on the server. Instead, this parameter changes how the Polycom system recognizes the server. |
| on | Specifies "on" as the encryption state for LDAP operations. This is the default setting. |
| off | Specifies "off" as the encryption state for LDAP operations. |

Feedback Examples

- ldapssl enabled get
returns
ldapssl enabled off
- ldapssl enabled set on
returns
ldapssl enabled on

ldapusername

Sets or gets the user name for NTLM authentication of an LDAP server.

Syntax

```
ldapusername get
ldapusername set ["user name"]
```

| Parameter | Description |
|-------------|--|
| get | Returns the current setting. |
| set | Sets the user name for NTLM authentication of an LDAP server. To erase the current setting, omit the "user name" parameter.
Note: This parameter does not change the setting on the server. Instead, this parameter changes how the Polycom system recognizes the server. |
| "user name" | Specifies the user name for NTLM authentication of an LDAP server.
Valid characters include:
Unicode (ISO-10646) characters, including IA5/ASCII characters and extended characters such as é, Ø, and å. |

Feedback Examples

- ldapusername get
returns
ldapusername j polycom
- ldapusername set mpolycom
returns
ldapusername mpolycom

linestate

Sets or gets API session registration to receive notifications about IP or ISDN line state changes.

Syntax

```
linestate get  
linestate <register|unregister>
```

| Parameter | Description |
|------------|---|
| get | Returns the current setting. |
| register | Registers to receive notification when IP or ISDN line states change. |
| unregister | Unregisters to receive notification when IP or ISDN line states change. |

Feedback Examples

- linestate register
returns
linestate registered
- linestate unregister
returns
linestate unregistered
- linestate get
returns
linestate unregistered

Comments

IP line state changes are only received in a serial API session.

listen

Registers the RS-232 session to listen for incoming video calls, phone calls, or system sleep or awake state and, consequently, to give notification when the registered state occurs.

Syntax

```
listen <video|phone|sleep>
```

| Parameter | Description |
|-----------|---|
| video | Instructs the session to listen for incoming video calls. When this event occurs, the message "listen video ringing" is received. |
| phone | Instructs the session to listen for incoming phone calls. When this event occurs, the message "listen phone ringing" is received. |
| sleep | Instructs the session to listen for when the system goes into sleep mode. When this event occurs, the message "listen going to sleep" is received. When the system wakes up, the message "listen waking up" is received. Deprecated. Polycom recommends using sleep register instead of this command. |

Feedback Examples

- listen sleep
returns
listen sleep registered
to acknowledge that the session is now registered to listen for sleep mode
- listen phone
returns
listen phone registered
to acknowledge that the session is now registered to listen for incoming phone calls
- listen video
returns
listen video registered
to acknowledge that the session is now registered to listen for incoming video calls

localdatetime

Sets or gets whether to display the local date and time on the Home screen.

Syntax

localdatetime <get|yes|no>

| Parameter | Description |
|-----------|---|
| get | Returns the current setting. |
| yes | Displays the local date and time on the Home screen. |
| no | Removes the local date and time from the Home screen. |

Feedback Examples

- localdatetime yes
returns
localdatetime yes
- localdatetime no
returns
localdatetime no
- localdatetime get
returns
localdatetime no

loginwindowduration

Sets or gets the duration of time within which failed logins can lead to account lockout.

Syntax

loginwindowduration <get|set>

| Parameter | Description |
|-----------|---|
| get | Returns the current setting. |
| set | Sets the time window within which failed logins can lead to account lockout. Time is measured in hours. Valid values are: off and {1..24} |

Feedback Examples

- loginwindowduration get
returns
loginwindowduration 2
- loginwindowduration set 1
returns
loginwindowduration 1
- loginwindowduration set off
returns
loginwindowduration off

Comments

- When the HDX system is powered off, the time window within which failed logins can lead to account lockout is still in effect.
- Login window duration begins at the first failed login attempt and lasts until the login window duration expires or the user successfully logs in.
- If loginwindowduration is set to off, the user is locked out after consecutive failures regardless of the time window.

marqueedisplaytext

Sets or gets the text to display in the dialing entry field on the Place a Call screen.

Syntax

```
marqueediplaytext get
marqueediplaytext set "text"
```

| Parameter | Description |
|-----------|---|
| get | Returns the current marquee display text. |
| set | Sets the text to display in the dialing entry field followed by the text to use. Enclose the string in quotation marks if it includes spaces. |
| "text" | Text to display. Enclose the character string in quotation marks if it includes spaces. If "text" is omitted, the system automatically sets it to Wel come. |

Feedback Examples

- ```
marqueediplaytext set "Select an entry from the directory."
returns
marqueediplaytext "Select an entry from the directory."
```
- ```
marqueediplaytext get
returns
marqueediplaytext "Select an entry from the directory."
```

maxgabinternationalcallspeed

Sets or gets the maximum speed for international ISDN calls made from the global directory. This command is only applicable if you have an ISDN network interface connected to your system.

Syntax

```
maxgabinternationalcallspeed get  
maxgabinternationalcallspeed set "valid speed"
```

| Parameter | Description |
|---------------|--|
| get | Returns the current valid speed. |
| set | Sets the maximum speed for international calls when followed by a valid speed value. |
| "valid speed" | Valid speeds are: 2x64, 128, 256, 384, 512, 768, 1024, and 1472 kbps. |

Feedback Examples

- maxgabinternationalcallspeed set 128
returns
maxgabinternationalcallspeed 128
- maxgabinternationalcallspeed get
returns
maxgabinternationalcallspeed 128

maxgabinternetcallspeed

Sets or gets the maximum speed for Internet (IP/H.323) calls made from the global directory.

Syntax

```
maxgabinternetcallspeed get
maxgabinternetcallspeed set "valid speed"
```

| Parameter | Description |
|---------------|---|
| get | Returns the current valid speed. |
| set | Sets the maximum speed for Internet calls when followed by a valid speed value. |
| "valid speed" | Valid speeds are: 128, 256, 384, 512, 768, 1024, and 1472 kbps. |

Feedback Examples

- maxgabinternetcallspeed set 384
returns
maxgabinternetcallspeed 384
- maxgabinternetcallspeed get
returns
maxgabinternetcallspeed 384

maxgabisdnncallspeed

Sets or gets the maximum speed for ISDN (H.320) calls made from the global directory. This command is only applicable if you have an ISDN network interface connected to your system.

Syntax

```
maxgabi sdncai l speed get
maxgabi sdncai l speed set "val i d speed"
```

| Parameter | Description |
|-----------------|---|
| get | Returns the current valid speed. |
| set | Sets the maximum speed for ISDN calls when followed by a valid speed value. |
| "val i d speed" | Valid speeds are: 56, 64, 128, 256, 384, 512, 768, 1024, and 1472 kbps. |

Feedback Examples

- maxgabi sdncai l speed set 384
returns
maxgabi sdncai l speed 384
- maxgabi sdncai l speed get
returns
maxgabi sdncai l speed 384

maxtimeincall

Sets or gets the maximum number of minutes allowed for call length.

Syntax

```
maxtimeincall get
maxtimeincall set [{0..999}]
```

| Parameter | Description |
|-----------|--|
| get | Returns the current setting. |
| set | Sets the maximum time for calls when followed by a parameter from {0..999}. To erase the current setting, omit the time parameter or set it to 0. The call will then stay up indefinitely. |
| {0..999} | Maximum call time in minutes. Must be an integer in the range {0..999}. |

Feedback Examples

- ```
maxtimeincall set
returns
maxtimeincall <empty>
```
- ```
maxtimeincall set 180
returns
maxtimeincall 180
```
- ```
maxtimeincall get
returns
maxtimeincall 180
```

### Comments

When the time has expired in a call, a message asks you if you want to hang up or stay in the call. If you do not answer within one minute, the call automatically disconnects.

## mcupassword

Enters and sends the MCU password to the MCU.

### Syntax

mcupassword [ "password" ]

Parameter	Description
password	Specifies the password to send to the MCU.

## meetingpassword

Sets the meeting password.

### Syntax

```
meetingpassword set ["password"]
```

Parameter	Description
set	Sets the meeting password if followed by the password parameter. To erase the current setting, omit the password parameter.
"password"	User-defined password. Valid characters are: A through Z (lower and uppercase), -, _, @, /, ;, ,, ., \, and 0 through 9. The length is limited to 33 characters. The password cannot include spaces.

### Feedback Examples

- ```
meetingpassword set psswd
returns
meetingpassword psswd
```
- ```
meetingpassword set "My psswd"
returns
error: command has illegal parameters
```

### Comments

To receive a notification that the password has failed, you must use the `popupinfo register` command to register the current API session to receive popup text.

### See Also

See also the related [popupinfo](#) command on page 4-280.

## monitor1 (deprecated)

Sets or gets the aspect ratio for Monitor 1. With the implementation of the [configdisplay](#) command on page 4-81, this command has been deprecated.

### Syntax

```
moni tor1 <get|4:3|16:9|vga>
```

Parameter	Description
get	Returns the current setting.
4:3 16:9	Sets the display aspect ratio to 4:3 (standard) or 16:9 (wide screen).
vga	Sets the display to VGA and causes the system to restart.

### Feedback Examples

- ```
moni tor1 4:3
returns
moni tor1 4:3
```
- ```
moni tor1 16:9
returns
moni tor1 16:9
```
- ```
moni tor1 get
returns
moni tor1 16:9
```

See Also

See the [configdisplay](#) command on page 4-81.

monitor 1 screensaveroutput

Sets or gets whether to send either black video or "No Signal" to Monitor 1 when the screen saver activates.

Syntax

```
monitor1screensaveroutput <get|black|no_signal >
```

| Parameter | Description |
|-----------|--|
| get | Returns the current setting. |
| black | Sends black video to Monitor 1 when the system goes to sleep and the screen saver activates. |
| no_signal | Sends no signal to Monitor 1 when the system goes to sleep and the screen saver activates. |

Feedback Examples

- `monitor1screensaveroutput black`
returns
`monitor1screensaveroutput black`
- `monitor1screensaveroutput no_signal`
returns
`monitor1screensaveroutput no_signal`
- `monitor1screensaveroutput get`
returns
`monitor1screensaveroutput no_signal`

See Also

See the [monitor2screensaveroutput](#) command on page 4-249.

monitor2 (deprecated)

Sets or gets the aspect ratio for Monitor 2. With the implementation of the [configdisplay](#) command on page 4-81, this command has been deprecated.

Syntax

```
moni tor2 off
moni tor2 <get|4:3|16:9>
moni tor2 vga
```

| Parameter | Description |
|-----------|--|
| off | Disables the second monitor output. |
| get | Returns the current setting. |
| 4:3 16:9 | Sets the aspect ratio to 4:3 (standard) or 16:9 (wide screen). |
| vga | Sets the display to VGA. |

Feedback Examples

- moni tor2 off
returns
moni tor2 off
- moni tor2 16:9
returns
moni tor2 16:9
- moni tor2 get
returns
moni tor2 16:9

See Also

See the [configdisplay](#) command on page 4-81.

monitor2screensaveroutput

Sets or gets whether to send either black video or "No Signal" to Monitor 2 when the screen saver activates.

Syntax

```
monitor2screensaveroutput <get|black|no_signal >
```

| Parameter | Description |
|-----------|--|
| black | Sends black video to Monitor 2 when the system goes to sleep and the screen saver activates. |
| no_signal | Sends no signal to Monitor 2 when the system goes to sleep and the screen saver activates. |
| get | Returns the current setting. |

Feedback Examples

- `monitor2screensaveroutput black`
returns
`monitor2screensaveroutput black`
- `monitor2screensaveroutput no_signal`
returns
`monitor2screensaveroutput no_signal`
- `monitor2screensaveroutput get`
returns
`monitor2screensaveroutput no_signal`

See Also

See the [monitor1screensaveroutput](#) command on page 4-247.

mpautoanswer

Sets or gets the Auto Answer Multipoint Video mode, which determines how the system will handle an incoming call in a multipoint video conference.

Syntax

mpautoanswer <get|yes|no|donotdi sturb>

| Parameter | Description |
|---------------|---|
| get | Returns the current setting. |
| yes | Connects incoming video calls automatically. The screen will split into a multipoint call progress screen as the incoming call is answered. |
| no | For an incoming video call, the user will be notified and given the choice to answer the call. If the user selects Yes, the call is added to the ongoing conference. If the user selects No, the call is rejected. The default is No. |
| donotdi sturb | The user is not notified of incoming video calls. The sites that placed the calls receive a Far Site Busy (H.320) or Call Rejected (H.323) code. |

Feedback Examples

- mpautoanswer yes
returns
mpautoanswer yes
- mpautoanswer no
returns
mpautoanswer no
- mpautoanswer get
returns
mpautoanswer no
- mpautoanswer donotdi sturb
returns
mpautoanswer donotdi sturb

Comments

If mpautoanswer is set to no or donotdi sturb, you must rely on API session notifications to answer inbound calls.

mpmode

Sets or gets the multipoint conference viewing mode for the system in a multipoint call. The multipoint mode can be set to auto, discussion, presentation, or fullscreen. By default, it is set to auto.

Syntax

```
mpmode <get|auto|di scussi on|presentati on|ful l screen>
```

| Parameter | Description |
|---------------|---|
| get | Returns the current setting. |
| auto | In Auto mode, the system switches between Full Screen Mode and Discussion mode, depending on the interaction between the sites. If one site is talking uninterrupted for 15 seconds or more, the speaker appears full screen. |
| presentati on | In Presentation mode, the person who is speaking appears full screen to the far sites, while the person who is speaking sees all the other sites on a split screen. |
| di scussi on | In Discussion mode (also called Continuous Presence mode), every site sees all the sites in the meeting at the same time, on a split screen. |
| ful l screen | In Full Screen mode, every site in the call sees the current speaker, or the latest person to speak, on the full screen. |

Feedback Examples

- mpmode auto
returns
mpmode auto
- mpmode di scussi on
returns
mpmode di scussi on
- mpmode get
returns
mpmode di scussi on

Comments

This option is not available unless the multipoint option is enabled.

What you see during a multipoint call can depend on many factors such as the system's monitor configuration, the number of sites in the call, whether content is shared, and whether dual monitor emulation is used.

mtumode

Sets or gets the MTU mode. The `mtumode` and `mtusize` commands allow you to change the Maximum Transmission Unit (MTU) size, to adjust for the best interoperability with the host network. Set `mtumode` to `specify`, then use `mtusize` to specify a value. If `mtumode` is set to `default`, the system automatically sets the MTU value to 1260.

Syntax

```
mtumode <get|default|specify>
```

| Parameter | Description |
|----------------------|--|
| <code>get</code> | Returns the current setting. |
| <code>default</code> | Sets the Maximum Transmission Unit size to the default value of 1260. |
| <code>specify</code> | Allows you to specify a Maximum Transmission Unit size other than the default setting. |

Feedback Examples

- ```
mtumode default
returns
mtumode default
```
- ```
mtumode specify
returns
mtumode specify
```
- ```
mtumode get
returns
mtumode specify
```
- ```
mtusize 660
returns
mtusize 660
```
- ```
mtumode foo
returns
error: command has illegal parameters
```

### See Also

See also the related [mtusize](#) command on page [4-254](#).

## mtusize

Sets or gets the MTU size. The `mtumode` and `mtusize` commands allow you to change the Maximum Transmission Unit (MTU) size, to adjust for the best interoperability with the host network. Set `mtumode` to `specify`, then use `mtusize` to specify a value. If `mtumode` is set to `default`, the system automatically sets the MTU value to 1260.

### Syntax

```
mtusize <get|660|780|900|1020|1140|1260|1500>
```

Parameter	Description
get	Returns the current setting.
660 780 900 1020 1140 1260 1500	Sets the value of the Maximum Transmission Unit size.

### Feedback Examples

- `mtumode specify`  
returns  
`mtumode specify`
- `mtusize 660`  
returns  
`mtusize 660`
- `mtusize 1140`  
returns  
`mtusize 1140`
- `mtusize get`  
returns  
`mtusize 1140`

### See Also

See also the related [mtumode](#) command on page 4-253.

## mute

Sets or gets the near or far site mute settings.

### Syntax

```
mute <register|unregister>
mute near <get|on|off|toggle>
mute far get
```

Parameter	Description
register	Registers to receive notification when the mute mode changes.
unregister	Disables register mode.
near	Sets the command for the near site. Requires on, off, toggle, or get.
get	Returns the current setting for the near or far site.
on	Mutes the near site (mute near on).
off	Unmutes the near site (mute near off).
toggle	If mute near mode is mute near on, this switches to mute near off, and vice versa.
far	Returns the mute state of the far site system. Requires the parameter get.

### Feedback Examples

- mute register  
returns  
mute registered
- mute near on  
returns  
mute near on
- mute far get  
returns  
mute far off

### Comments

In register mode, the system sends notification to the API session when the far or near site is muted or unmuted.

## **muteautoanswer**

Sets or gets the Mute Auto Answer Calls mode. When this setting is selected, the microphone is muted to prevent the far site from hearing the near site when the system answers automatically.

### **Syntax**

muteautoanswer <get|yes|no>

<b>Parameter</b>	<b>Description</b>
get	Returns the current setting.
yes	Enables Mute Auto Answer Calls mode. The microphone will be muted when the system receives a call while in Auto Answer mode.
no	Disables Mute Auto Answer Calls mode. The microphone will not be muted when the system receives a call while in Auto Answer mode.

### **Feedback Examples**

- muteautoanswer yes  
returns  
muteautoanswercalls yes
- muteautoanswer no  
returns  
muteautoanswercalls no
- muteautoanswer get  
returns  
muteautoanswercalls no

## natconfig

Sets or gets the NAT configuration.

### Syntax

```
natconfig <get|auto|manual |off>
```

Parameter	Description
get	Returns the current setting.
auto	Specifies that the system is behind a NAT; specifies that the system will automatically discover the public (WAN) address.
manual	Specifies that the system is behind a NAT. Requires the WAN address to be assigned using the <a href="#">wanipaddress</a> command on page 4-476.
off	Disables the option when the system is not behind a NAT.

### Feedback Examples

- natconfig auto  
returns  
natconfig auto
- natconfig manual  
returns  
natconfig manual
- natconfig off  
returns  
natconfig off
- natconfig get  
returns  
natconfig off

## nath323compatible

Sets or gets the **NAT is H.323 Compatible** setting.

### Syntax

nath323compatible <get|yes|no>

Parameter	Description
get	Returns the current setting.
yes	Specifies that NAT is capable of translating H.323 traffic.
no	Specifies that NAT is not capable of translating H.323 traffic.

### Feedback Examples

- nath323compatible yes  
returns  
nath323compatible yes
- nath323compatible no  
returns  
nath323compatible no
- nath323compatible get  
returns  
nath323compatible no



## nearloop

Activates or deactivates the Near End Loop test.

### Syntax

```
nearloop <on|off>
```

Parameter	Description
on	Activates the Near End Loop, a complete internal test of the system.
off	Deactivates the Near End Loop.

### Feedback Examples

- nearloop on  
returns  
nearloop on
- nearloop off  
returns  
nearloop off

### Comments

When Near End Loop is on, you can test the encoder/decoder on the system. This test is not available when you are in a call.

## netstats

Returns network statistics for each call.

### Syntax

netstats [{0..n}]

Parameter	Description
{0..n}	Call in a multipoint call, where n is the maximum number of calls supported by the system. 0 is the first site connected. If no call is specified, netstats returns information about the near site.

### Feedback Examples

- netstats 2  
returns  
call: 1 txrate: 128 K rxrate: 128 K pktloss: 0 %pktloss: 0.0 %  
tvp: H. 263  
rvp: H. 263 tvf: CIF rvp: CIF tap: G. 722. 1 rap: G. 722. 1 tcp: H. 323  
rcp: H. 323  
where:  
txrate=transmit clock rate  
rxrate=receive clock rate  
pktloss=number of packet loss/errors  
%pktloss=percentage of packet loss/errors  
tvp=transmit video protocol  
rvp=receive video protocol  
tvf=transmit video format  
rvf=receive video format  
tap=transmit audio protocol  
rap=receive audio protocol  
tcp=transmit comm protocol  
rcp=receive comm protocol

## nonotify

Unregisters the API client to receive status notifications.

### Syntax

```
nonoti fy <cal l status|capti ons|l i nestatus|mutestatus|screenchanges>
nonoti fy <sysstatus|sysal erts|vi dsourcechanges>
```

Parameter	Description
cal endarmeeti ngs	Stops the system from receiving meeting reminders.
cal l status	Stops the system from receiving changes in call status, such as a connection or disconnection.
capti ons	Stops the system from capturing closed captions as they appear on the screen.
l i nestatus	Stops the system from receiving line status notifications.
mutestatus	Stops the system from receiving changes in audio mute status.
screenchanges	Stops the system from receiving notification when a user interface screen is displayed.
sysstatus	Stops the system from receiving system status notifications.
sysal erts	Stops the system from receiving system alerts.
vi dsourcechanges	Stops the system from receiving notification of camera source changes.

### Feedback Examples

- nonoti fy cal l status  
returns  
nonoti fy cal l status success
- If entered again,  
nonoti fy cal l status  
returns  
i nfo: event/noti fi cation not acti ve: cal l status
- nonoti fy cal endarmeeti ngs  
returns  
nonoti fy cal endarmeeti ngs success

## See Also

See the related [notify](#) command on page [4-263](#).

## notify

Lists the notification types that are currently being received, or registers to receive status notifications.

### Syntax

```
notify
notify <callstatus|captions|linestatus|mutestatus|screenchanges>
notify <sysstatus|sysalerts|vidsourcechanges>
notify calendarmeetings
```

Parameter	Description
notify	Lists the notification types that are currently being received, in the following format: registered for <num> notification[: notification type]...
calendarmeetings	Registers the API client to receive meeting reminders.
callstatus	Registers the system to receive changes in call status, such as a connection or disconnection, in the following format: notification: callstatus: <call direction>: <call id>: <far site name>: <far site number>: <connection status>: <call speed>: <status-specific cause code from call engine>: <call type>
captions	Registers the system to capture closed captions as they appear on the screen, in the following format: notification: caption: <"caption string">
linestatus	Registers the system to receive line status notifications as they occur, in the following format: notification: linestatus: <direction>: <call id>: <line id>: <channel id>: <connection status>
mutestatus	Registers the system to receive changes in audio mute status, in the following format: notification: mutestatus: <near or far>: <call id>: <site name>: <site number>: <mute status>

Parameter	Description
screenchanges	Registers the system to receive notification when a user interface screen is displayed, in the following format: noti fi cati on: screenchange: <screen name>: <screen def name>
sysstatus	Registers the system to receive system status notifications, in the following format: noti fi cati on: sysstatus: <sys parameter name>: <val ue1>[: <val ue2>... ]
sysal erts	Registers the system to receive system alerts, in the following format: noti fi cati on: sysal ert: <al ert name>: <val ue1>[: <val ue2>... ]
vi dsourcechanges	Registers the system to receive notification of camera source changes, in the following format: noti fi cati on: vi dsourcechange: <near or far>: <camera i ndex>: <camera name>: <peopl e or content>

## Feedback Examples

- noti fy mutestatus  
returns  
noti fy mutestatus success  
acknowledging that the session is now registered to receive mutestatus notifications
- noti fy callstatus  
returns  
noti fy callstatus success  
acknowledging that the session is now registered to receive callstatus notifications
- If entered again,  
noti fy callstatus  
returns  
i nfo: event/noti fi cati on al ready acti ve: callstatus
- noti fy  
returns  
registered for 2 noti fi cati ons: mutestatus:
- noti fy cal endarmeeti ngs  
returns  
noti fy cal endarmeeti ngs success

The following are examples of notifications that may be returned after registering to receive them.

- noti fi cati on: cal l status: outgoi ng: 34: Pol ycom HDX  
Demo: 192. 168. 1. 101: connected: 384: 0: vi deocal l
- noti fi cati on: mutestatus: near: near: near: near: muted
- noti fi cati on: screenchange: systemsetup: systemsetup\_a
- noti fi cati on: vi dsourcechange: near: 1: Mai n: peopl e
- noti fi cati on: li nestatus: outgoi ng: 32: 0: 0: di sconnected
- noti fi cati on: vi dsourcechange: near: 6: ppci p: content
- noti fi cati on: vi dsourcechange: near: none: none: content
- noti fi cati on: cal endarmeeti ngs:  
AAAaAEFsZXguTWFj RG9uYWxkQHBvbHI j b20uY29tAVEACI j Mne2/ndgARgA  
AAADr9GI hsSj WEZBcAAKzMphJBwA4wi cbtr3UEZArAKAk09LtAAACZpKWAA  
De7hJl eQl OS7j 2mzRJxkLKAAADI /G8AAAQ:Product PI anni ng: 10

## Comments

The `noti fy cal l status` command registers the current API session for call status notifications. The API client receives call status notifications as a call progresses.

Registration for status notifications is session-specific. For example, registering for alerts in a Telnet session does not return alerts in a simultaneous RS-232 session with the same system.

The `noti fy capti ons` command registers the current API session to receive notifications as closed captions are displayed. If closed captions are dropped for some reason, no notification is received. This command is typically used for capturing captions being displayed for archival purpose.

Duplicate registrations produce another success response. The notify setting remains in effect, even if you restart the system or update the software with system settings saved.

## See Also

See also the [nonotify](#) command on page 4-261 and the [callinfo](#) command on page 4-65.

## ntpmode

Sets or gets the mode of the system's Network Time Protocol (NTP) server. NTP server time is used to ensure synchronized time data in the local Call Detail Report.

### Syntax

```
ntpmode <get|auto|off|manual >
```

Parameter	Description
get	Returns the current time server mode.
auto	Automatically selects an NTP server from the Internet.
off	Turns off the use of an NTP server.
manual	Lets you specify a server using the <a href="#">ntpserver</a> command on page <a href="#">4-268</a> .

### Feedback Examples

- ntpmode auto  
returns  
ntpmode auto
- ntpmode off  
returns  
ntpmode off
- ntpmode manual  
returns  
ntpmode manual
- ntpmode get  
returns  
ntpmode manual

### See Also

See the [ntpserver](#) command on page [4-268](#).



## ntpsecondaryserver

Sets or gets a secondary Network Time Protocol (NTP) server using the IP address or DNS name of the server.

### Syntax

```
ntpsecondaryserver get
ntpsecondaryserver set ["xxx. xxx. xxx. xxx" | "server name"]
```

Parameter	Description
get	Gets the IP address of the secondary NTP server.
set	Sets the IP address of the secondary NTP server when followed by a valid parameter. To erase the current setting, omit the [ "xxx. xxx. xxx. xxx"   "server name" ] parameter.
"xxx. xxx. xxx. xxx"	The IP address of the secondary NTP server.
"server name"	The DNS name of the secondary NTP server

### Feedback Examples

- ntpsecondaryserver set  
returns  
ntpsecondaryserver <empty>
- ntpsecondaryserver set 172. 26. 44. 22  
returns  
ntpsecondaryserver 172. 26. 44. 22
- ntpsecondaryserver get  
returns  
ntpsecondaryserver 172. 26. 44. 22

### Comments

The primary NTP server must be configured in order to configure the secondary NTP server

### See Also

[ntpserver](#) on page 4-268.

## ntpserver

Sets or gets an Network Time Protocol (NTP) server, using the IP address or the DNS name of the server.

### Syntax

```
ntpserver get
ntpserver set ["xxx.xxx.xxx.xxx"|"server name"]
```

Parameter	Description
get	Gets the IP address of the NTP server.
set	Sets the IP address of the NTP server when followed by a valid parameter. To erase the current setting, omit the ["xxx.xxx.xxx.xxx" "server name"] parameter.
"xxx.xxx.xxx.xxx"	The IP address of the NTP server.
"server name"	The DNS name of the NTP server.

### Feedback Examples

- ntpserver set  
returns  
ntpserver <empty>
- ntpserver set 192.168.1.205  
returns  
ntpserver 192.168.1.205
- ntpserver get  
returns  
ntpserver 192.168.1.205

### Comments

This command allows you to use an internal time server and thus synchronize the system's time with the time on your internal network. The system uses this time only for the local Call Detail Report.

### See Also

[ntpsecondaryserver](#) command on page [4-267](#).

## numberofmonitors (deprecated)

Returns the number of display monitors configured. With the implementation of the [configdisplay](#) command on page 4-81, this command has been deprecated.

### Syntax

```
numberofmonitors get
```

### Feedback Examples

- `numberofmonitors get`  
returns  
`numberofmonitors 1`  
when one monitor is configured for display
- `numberofmonitors get`  
returns  
`numberofmonitors 2`  
when two monitors are configured for display

### See Also

The recommended command for accessing display configuration is the [configdisplay](#) command on page 4-81. For example, to determine the state of Monitor 2, use `configdisplay monitor2 get`.

## numdigitsdid

Sets or gets the number of digits in the DID Gateway number (E.164 dialing).

### Syntax

```
numdi gi t sdi d <get|{0..24}>
```

Parameter	Description
get	Returns the current setting.
{0..24}	Specifies the number of digits in DID numbers.

### Feedback Examples

- numdi gi t sdi d 7  
returns  
numdi gi t sdi d 7
- numdi gi t sdi d get  
returns  
numdi gi t sdi d 7

### Comments

The number of digits in the DID is that portion of the full DID that the Gateway will be given from the ISDN service provider as the Called Party Line Identifier. This, in turn, will be passed to the Gatekeeper for address resolution.

## numdigitsext

Sets or gets the number of digits in the Number+Extension Gateway number (E.164 dialing).

### Syntax

```
numdigitsext <get|{0..24}>
```

Parameter	Description
get	Returns the current setting.
{0..24}	The number of digits in the gateway number if <a href="#">gatewaynumbertype</a> command on page 4-160 is set to number+extension.

### Feedback Examples

- numdigitsext 10  
returns  
numdigitsext 10
- numdigitsext get  
returns  
numdigitsext 10

### Comments

The number of digits in that number is that portion of the full Number+Extension number that the Gateway will be given from the ISDN service provider as the Called Party Line Identifier. This, in turn, will be passed to the Gatekeeper for address resolution.

## ocsdirectory

Enable Polycom HDX systems to retrieve and display the Microsoft Office Communications Server contact list and to disable other global directory services.

### Syntax

ocsdirectory <get|yes|no>

Parameter	Description
get	Returns the current setting.
yes	Enables the Microsoft Office Communications Server 2007 directory server.
no	Disables the Microsoft Office Communications Server 2007 directory server. This is the default setting.

### Feedback Examples

- ocsdirectory get  
returns  
ocsdirectory yes
- ocsdirectory no  
returns  
ocsdirectory no

### Comments

Polycom HDX systems must be registered with the Microsoft Office Communications Server 2007 directory server to enable the Microsoft Office Communications Server 2007 directory service.



Polycom software versions 3.0 and later also support Microsoft Lync Server 2010. Refer to the *Administrator's Guide for Polycom HDX Systems* for more information.

Each Polycom HDX system supports a single global directory server at any given time. Therefore, enabling the Microsoft Office Communications Server 2007 automatically disables any other enabled global directory server, such as the Polycom GDS or LDAP directory server.

If more than one global directory is defined on a system, the following rules apply when you upgrade the system software:

- If the Microsoft Office Communications Server 2007 directory server and another directory server are defined on the system, the Microsoft Office Communications Server 2007 directory server becomes the default directory server after upgrading the system software.
- If the Polycom GDS directory server and another directory server (not the Microsoft Office Communications Server 2007 directory server) are defined on the system, the Polycom GDS directory server becomes the default directory server after upgrading the system software.

## **oobcomplete**

Completes the setup wizard and restarts the Polycom HDX system.

### **Syntax**

```
oobcomplete
```

### **Feedback Examples**

```
oobcomplete
returns
oobcomplete
```

### **Comments**

The `oobcomplete` command is processed only when the Polycom HDX system is in setup wizard mode.

To execute `oobcomplete` successfully, the Polycom HDX system name must be configured.



## pause

Pauses the command interpreter before executing the next command. Pauses are useful when commands are retrieved from a script file.

### Syntax

```
pause {0. . 65535}
```

Parameter	Description
{0. . 65535}	Number of seconds to pause.

### Feedback Examples

- pause 3  
returns  
pausi ng for 3 seconds
- pause 0  
returns  
pausi ng for 0 seconds

## peoplevideoadjustment

Sets or gets the people video adjustment setting.

### Syntax

peoplevideoadjustment <get|normal|stretch|zoom>

Parameter	Description
get	Returns the current setting.
normal	Preserves the aspect ratio of the source video. The image is scaled (if necessary) to the largest supported resolution that fits on the display without cropping.
stretch	Does not preserve aspect ratio. The image is scaled horizontally and vertically to exactly match the resolution of the display.
zoom	Preserves the aspect ratio of the source video. The image is scaled to exactly match one of the display dimensions while matching or exceeding the other display dimension. The image is centered and cropped.

### Feedback Examples

- ```
peoplevideoadjustment zoom
returns
peoplevideoadjustment zoom
```
- ```
peoplevideoadjustment stretch
returns
peoplevideoadjustment stretch
```
- ```
peoplevideoadjustment normal
returns
peoplevideoadjustment normal
```
- ```
peoplevideoadjustment get
returns
peoplevideoadjustment normal
```

# phone

Flashes the analog phone line.

## Syntax

phone <cl ear|fl ash>

Parameter	Description
cl ear	Clears phone number from the text box.
fl ash	Sends flash hook to a POTS connection.

## See Also

Use the [flash](#) command on page [4-139](#) to specify a call ID.

## pip

Sets or gets the on-screen PIP mode. The PIP feature allows the near site to adjust near-camera views while in a video conference.

### Syntax

```
pip <get|on|off|camera|swap|register|unregister|location>
pip location <get|0|1|2|3>
```

Parameter	Description
get	Returns the current setting.
on	Enables PIP mode. The system shows a PIP window that remains in the lower right corner of the screen until the video call is completed.
off	Disables PIP mode.
camera	Causes the PIP window to appear when the selected camera position is changed. The PIP window disappears when the camera has finished moving.
swap	Toggles the content of the PIP and the main display between the near-site and far-site view.
register	Registers the system to give notification when PIP is turned on or off.
unregister	Unregisters the system to give notification when PIP is turned on or off.
location	Places the PIP window in the specified corner of the screen: 0 = bottom right corner 1 = top right corner 2 = top left corner 3 = bottom left corner get = Returns the current location

### Feedback Examples

- pip on  
returns  
pip on
- pip swap  
returns  
pip swapped

- pip location get  
returns  
pip location 1
- pip register  
returns  
pip registered

## popupinfo

Registers or unregisters the session to receive popup text and button choices text.

### Syntax

popupinfo <get|register|unregister>

Parameter	Description
register	Registers to receive popup information.
unregister	Unregisters to receive popup information.
get	Returns the current setting.

### Feedback Examples

- popupinfo register  
returns  
popupinfo registered
- popupinfo unregister  
returns  
popupinfo unregistered
- popupinfo get  
returns  
popupinfo unregistered

The following examples show notifications that may be returned after registering to receive popup text and button choices text.

- popupinfo: question: Sorry. Cannot dial number because you are already in a call with the site.
- popupinfo: choice0: Ok  
is returned if a call fails
- popupinfo: question: Save Changes?  
popupinfo: choice0: Yes  
popupinfo: choice1: No  
popupinfo: answered: Yes  
is returned if the user edits the password field

## preset

Sets the presets or goes (moves) to the presets for the near or far camera source. Also registers or unregisters the API session to give notification when the user sets or goes to presets.

### Syntax

```

preset <register|unregister>
preset register get
preset far <go|set> <{0..15}>
preset near <go|set> <{0..99}>

```

Parameter	Description
register	Registers the system to give notification when the user or far site sets or goes to a preset. Returns the current preset registration state when followed by the get parameter.
unregister	Disables register mode.
far	Specifies the far camera. Requires a set or go parameter and a preset identifier.
go	Moves the camera to a camera preset. Requires a "preset" parameter.
set	Sets a camera preset. Requires a "preset" parameter.
{0..15}, {0..99}	Camera preset identifier. Must be an integer in the range {0..15} for a far-site camera or {0..99} for a near-site camera.
near	Specifies the near camera. Requires a set or go parameter and a preset identifier.

### Feedback Examples

- preset register  
returns  
preset registered
- preset near go 1  
returns  
preset near go 1  
and moves the near-site camera to the preset 1 position
- preset near set 2  
returns  
preset near set 2  
and saves the current location/position of the near-site camera as preset 2

## Comments

Up to 100 preset camera positions can be set. These camera presets can be distributed across the far camera and up to four near-site cameras.



## pricallbycall

Sets or gets the PRI call-by-call value. This command is only applicable if you have a PRI network interface connected to your system.

### Syntax

```
pricallbycall get
pricallbycall set {0..31}
```

Parameter	Description
get	Returns the current setting.
set	Sets PRI call-by-call when followed by a value from {0..31}.
{0..31}	Range of call-by-call values.

### Feedback Examples

- ```
pricallbycall set 1
returns
pricallbycall 1
```
- ```
pricallbycall get
returns
pricallbycall 1
```

### Comments

Call-by-call is a number from 0 to 31, which is optionally sent to an upstream telephone company switch, if required. For example, specify a value of 6 for a T1 PRI network interface module that is directly connected to an ATT 5ESS switch, which is provisioned with Accunet. You must consult with the telephone company service provider to determine whether a call-by-call value is required for a particular PRI line. For most cases, the default value of 0 is correct. Always use the value 0 when connected to a PBX. A non-zero value should not be required in Europe. Values greater than 31 are reserved for internal use and must not be used.

## prichannel

Sets or gets the PRI channels that will be active for the PRI line. This command is only applicable if you have a PRI network interface connected to your system.

### Syntax

```

pri channel get all
pri channel get {1..n}
pri channel set all
pri channel set {1..n} <on|off>

```

Parameter	Description
get	Returns the current setting. Requires a parameter from <all   {1..n}>.
all	Selects all PRI channels and returns all channels and settings similar to <code>bricalle</code> .
{1..n}	Range of available PRI channels. For PRI T1, the range is 1..23. For PRI E1, the range is 1..30.
set	Sets the PRI channels to be active when followed by a parameter from <all   {1..n}> and from <on off>.
on	Activates the selected PRI channels.
off	Disables the selected PRI channels.

### Feedback Examples

- ```

pri channel 1 set on
returns
pri channel 1 on

```
- ```

pri channel set 23 off
returns
pri channel 23 off

```
- ```

pri channel get 23
returns
pri channel 23 off

```

Important PRI Channel Information

Outgoing Call. For an outgoing call, the system uses the first active and available channel starting with the lowest number from the channel range (1-23 for a PRI T1 and 1-30 for a PRI E1). If an additional channel is needed, the system chooses the next incremental number. For example, if channels 1

through 7 are inactive, but 8 is active and available, then 8 is the first channel that can be used by the system to place an outgoing call. If an additional channel is needed, the system will use the next available active channel in the range (which could be 9, and so on).

Incoming Calls. For incoming calls, the system may use the highest numbered channel in the range and, if needed, proceed to the next channel number in descending order, depending on the type of third-party equipment attached to the system. For example, an incoming call arrives on channel 23, then 22, 21, and so on.

Dedicated full PRI T1 or E1 Line. All channels should be active for a full T1 or E1 line dedicated to your system.

Fractional PRI T1 or E1. Channel selection should be handled by your PRI network administrator.

PRI E1 Channel Information. The PRI Status screen (for E1) shows 30 channels. However, E1 trunk lines have 32 timeslots, numbered 0 - 31. Timeslot 0 is used for framing, and timeslot 16 is used for call signaling (the D channel). The remaining 30 timeslots are used as bearer (data) channels. In call signaling between our equipment and the switch, these channels are numbered 1-15, 17-31. But the PRI Status screen numbers these channels contiguously in the range 1-30. Therefore, on the PRI Status screen, channels 1-15 control the status of timeslots 1-15, and channels 16-30 control the status of timeslots 17-31.

pricsu

Sets or gets the PRI CSU mode for a T1 interface.

Syntax

```
pricsu <get|i nternal |external >
```

| Parameter | Description |
|-----------|--|
| get | Returns the current setting. |
| i nternal | Sets the internal CSU mode. This is the default. |
| external | Sets the external CSU mode. When selected, you must specify the PRI line buildout. |

Feedback Examples

- pricsu i nternal
returns
pricsu i nternal
- pricsu external
returns
pricsu external
- pricsu get
returns
pricsu external

Comments

By default, the T1 PRI network interface module is set for internal CSU mode.

See Also

The PRI line buildout for a T1 interface is set using the [prilinebuildout](#) command on page [4-289](#).

pridialchannels

Sets or gets the number of PRI channels to dial in parallel. This command is only applicable if you have a PRI network interface connected to your system.

Syntax

```
pridialchannels get
pridialchannels set {1..n}
```

| Parameter | Description |
|-----------|--|
| set | Sets the number of PRI channels to be dialed in parallel when followed by a parameter from {1..n}. To erase the current setting, omit the parameter. |
| get | Returns the current number of channels dialed in parallel. |
| {1..n} | Range of numbers of PRI channels that can be dialed in parallel. For PRI T1, the range is 1..12. For PRI E1, the range is 1..15. |

Feedback Examples

- ```
pridialchannels set 3
returns
pridialchannels 3
```
- ```
pridialchannels get
returns
pridialchannels 3
```

Comments

By default, ISDN channels are dialed three at a time. On PRI systems, you can choose the number of channels to dial in parallel.

priintlprefix

Sets or gets the PRI international dialing prefix.

Syntax

```
pri intl prefix get  
pri intl prefix set ["prefix"]
```

| Parameter | Description |
|-----------|--|
| get | Returns the current setting. |
| set | Sets the PRI international dialing prefix when followed by the parameter "prefix". To erase the current setting, omit the parameter. |
| "prefix" | Numeric string. |

Feedback Examples

- ```
pri intl prefix set 011
returns
pri intl prefix 011
```
- ```
pri intl prefix get  
returns  
pri intl prefix 011
```

Comments

The international prefix defaults to 011 for North America and 00 for European countries. The default depends on the country.

prilinebuildout

Sets or gets the PRI line buildout for a T1 interface.

Syntax

```
prilinebuildout get
prilinebuildout set <0|-7.5|-15|-22.5>
prilinebuildout set <0-133|134-266|267-399|400-533|534-665>
```

| Parameter | Description |
|---|--|
| get | Returns the current setting. |
| set | Sets the PRI line buildout. It requires an output "attenuation in dB" or an "attenuation in feet". |
| 0 -7.5 -15 -22.5 | Output attenuation values in dB. For internal CSUs. |
| 0-133 134-266
267-399 400-533
534-665 | Output attenuation values in feet. For external CSUs. |

Feedback Examples

- ```
prilinebuildout set -7.5
returns
prilinebuildout -7.5
```
- ```
prilinebuildout get
returns
prilinebuildout -7.5
```

Comments

If you are using an internal CSU, enter the output attenuation in dB. If you are using an external CSU, enter the output attenuation in feet.

See Also

The PRI CSU mode for a T1 interface is set using the [pricsu](#) command on page [4-286](#).

prilinesignal

Sets or gets the PRI line signal.

Syntax

```
prilinesignal get
prilinesignal set <esf/b8zs|crc4/hdb3|hdb3>
```

| Parameter | Description |
|-----------|--|
| get | Returns the current PRI line signal setting. |
| set | Sets the PRI line signal. It requires one of the following parameters: esf/b8zs, crc4/hdb3, hdb3 |
| esf/b8zs | A method of signal encoding used with a T1 interface. This is the only choice for T1. This value actually chooses both a framing format and an encoding method. Legacy frame formats, such as D4, are not supported. In addition, older encoding methods, such as B7ZS, are not supported. |
| crc4/hdb3 | A method of signal encoding used with an E1 interface. This is the default value. Data is encoded using HDB3 to ensure proper one-density, and CRC4 error checking is enabled on both transmit and receive. |
| hdb3 | A method of signal encoding used with an E1 interface. CRC4 error checking is disabled. |

Feedback Examples

- ```
prilinesignal set esf/b8zs
returns
prilinesignal esf/b8zs
```
- ```
prilinesignal get
returns
prilinesignal esf/b8zs
```


prinumberingplan

Sets or gets the PRI numbering plan. This command is only applicable if you have a PRI network interface connected to your system.

Syntax

```
prinumbe ringpl an <get|i sdn|unknown>
```

| Parameter | Description |
|-----------|--|
| get | Returns the current setting. |
| i sdn | With this parameter, the numbering plan is identified to the upstream switch as ISDN, and the number type, which is either national or international, is determined from the dialed phone number. If the dialed phone number starts with the international dialing prefix that is currently selected, the type is set to the international and the prefix is removed from the number before the number is sent to the upstream switch. Otherwise, the number is marked as national and passed to the upstream switch without modification. |
| unknown | This is the default selection. With this parameter, the numbering plan and number type are sent to the upstream as unknown, and the dialed phone number is sent without notification. The unknown parameter is preferred and should work with all properly configured PBXs and with most telephone company switches. A notable exception in North America is an ATT 5ESS switch, which is provisioned with Accunet, or an ATT 4ESS switch. For these switches, set the numbering type to ISDN. |

Feedback Examples

- ```
prinumbe ringpl an i sdn
returns
prinumbe ringpl an i sdn
```
- ```
prinumbe ringpl an unknown
returns
prinumbe ringpl an unknown
```
- ```
prinumbe ringpl an get
returns
prinumbe ringpl an unknown
```

## prioutsideline

Sets or gets the PRI number that is dialed for outside line access.

### Syntax

```
pri outsi del i ne get
pri outsi del i ne set ["outsi de_l i ne"]
```

Parameter	Description
get	Returns the current setting.
set	Sets the outside-line-access PRI number when followed by the parameter "outsi de_l i ne". To erase the current setting, omit the parameter.
"outsi de_l i ne"	Numeric string. This number is provided by your network service provider.

### Feedback Examples

- pri outsi del i ne set 9  
returns  
pri outsi del i ne 9
- pri outsi del i ne get  
returns  
pri outsi del i ne 9

### Comments

This number is needed if your system is on a PBX.

## priswitch

Sets or gets the PRI switch.

### Syntax

```

pri swi tch get
pri swi tch set <att5ess|att4ess|nortel dms|ni 2>
pri swi tch set <net5/ctr4|ntti ns-1500|ts-038>

```

Parameter	Description
get	Returns the current switch protocol.
set	Sets the PRI switch. One of the switch protocol parameters is required.
att5ess att4ess  nortel dms ni 2  net5/ctr4  ntti ns-1500 ts-038	Switch protocol values. For E1, net5/ctr4 is the default. net5/ctr4 is the standard ETSI protocol derived from ITU Q.931. For T1, net5/ctr4 is also provided for certain Asian countries, such as Japan, Hong Kong, and Taiwan.

### Feedback Examples

- ```

pri swi tch set att5ess
returns
pri swi tch att5ess

```
- ```

pri swi tch get
returns
pri swi tch att5ess

```

### Comments

If more than one switch protocol is supported, you must find out from your telephone service provider which protocol to select. NET5/CTR4 is the default. It is the standard ETSI protocol derived from ITU Q.931. If you change the country settings, a new set of PRI switch protocols is loaded.

## reboot

Restarts the system.

### Syntax

```
reboot [y|now|n]
```

Parameter	Description
y	Reboots the system without prompting you.
now	Reboots the system without prompting you.
n	Does not reboot the system.

### Feedback Examples

- `reboot y`  
does not prompt the user to confirm and reboots the system with no other feedback returned
- `reboot now`  
does not prompt the user to confirm and reboots the system with no other feedback returned
- `reboot n`  
does not reboot the system and returns  
enter “reboot y” or “reboot now” to initiate system reboot

### Comments

The preferred format is `reboot now`.

## recentcalls

Returns the list of recent calls.

### Syntax

```
recentcalls
```

### Feedback Examples

- recentcalls  
returns  
"Polycom HDX Demo" 30/Nov/2008 14:39:56 Out  
192.168.1.101 30/Nov/2008 14:40:07 Out  
192.168.1.102 30/Nov/2008 14:40:35 Out  
192.168.1.103 30/Nov/2008 20:27:33 Out  
"John Polycom HDX 9004" 30/Nov/2008 02:13:23 In  
192.168.1.104 30/Nov/2008 02:20:08 In  
192.168.1.105 30/Nov/2008 02:21:40 In  
192.168.1.106 30/Nov/2008 05:53:04 In  
"Mary Polycom HDX 9004" 30/Nov/2008 07:00:19 In

### Comments

Calls returned by the recentcalls command are returned in this format:

```
Display Name/Start Date/Start Time/Call Direction.
```

For example:

```
Polycom HDX Demo" 30/Nov/2008 14:39:56/Out
```

The display name value that is returned depends on the type of call.

In outgoing calls:

- If the call is placed from Directory screen or Favorites screen, the Polycom HDX system returns the display name of the endpoint being called.
- If the call is placed from the Place a Call screen, and the number is in the Polycom HDX system directory, the display name of the directory entry is returned. If the number is not in the Polycom HDX system directory, the IP number is returned as the display name.

In incoming calls, if the Polycom HDX system receives caller ID information, or if the the caller number is already in the Polycom HDX system directory, the caller ID name or the Polycom HDX system display name will be returned as the display name. If there is no caller ID information and the number is not in the Polycom HDX system directory, the IP address is returned as the display name.

## registerall (deprecated)

Alias for the **all register** command.

### Syntax

```
registerall
```

### Feedback Examples

```
registerall
returns
callstate registered
camera registered
chaircontrol registered
linestate registered
mute registered
pip registered
popup registered
popuinfo registered
preset registered
screen registered
vbutton registered
volume registered
sleep registered
phone registered
video registered
vcstream registered
vc pod registered
vc lan registered
```

### See Also

This command is an alias for the preferred [all register](#) command on page [4-24](#).

To unregister user feedback, use the [all unregister](#) command on page [4-26](#) or the [unregisterall \(deprecated\)](#) command on page [4-446](#).

## registerthissystem

Sets or gets the system's IP address to be registered and displayed in the global directory when the system is powered on.

### Syntax

```
registerthissystem <get|yes|no>
```

Parameter	Description
get	Returns the current setting.
yes	Enables this option (register this system).
no	Disables this option.

### Feedback Examples

- registerthissystem yes  
returns  
registerthissystem yes
- registerthissystem no  
returns  
registerthissystem no
- registerthissystem get  
returns  
registerthissystem no

### Comments

If you do not enable this option, the system has access to the GDS, but the IP address does not appear in the global directory.

## remotecontrol

Set or gets the setting for intercepting signals from the system remote control.

### Syntax

```
remotecontrol disable <get|all|none>
remotecontrol disable "valid button" ["valid button"...]
remotecontrol dontintercept <all|none>
remotecontrol dontintercept "valid button" ["valid button"...]
remotecontrol enable <all|none>
remotecontrol enable "valid button" ["valid button"...]
```

Parameter	Description
di sable	Disables specified remote control button(s) so that the system does not respond.
get	Returns the current setting.
al l	All of the remote control buttons.
none	None of the remote control buttons.
"val id button"	Name of a specific button such as call, hangup, left, right, up, down, select, home, directory, back, zoom-, zoom+, volume-, volume+, mute, far, near, auto, camera, preset, pip, keyboard, delete, ., 0-9, *, #, graphics, or help.
enabl e	Enables specified remote control button(s).
power	Enables or disables the <b>Power</b> button on the remote control.

### Feedback Examples

- remotecontrol disable all  
returns  
remotecontrol disable all success
- remotecontrol disable get  
returns  
disabled 1 buttons: pip

### Comments

Remote control disable commands do not persist across the power cycle.



## remotemonenable

Gets the state of remote room and call monitoring.

### Syntax

```
remotemonenable <get>
```

### Feedback Examples

- remotemonenable get  
returns  
remotemonenable on
- remotemonenable get  
returns  
remotemonenable off

## requireacctnumtodial

Enables or disables the **Require Account Number to Dial** option. It is used to log calls to a specific account so that they can be tracked and billed to the appropriate departments.

### Syntax

```
requi reacctnumtodi al <get|yes|no>
```

Parameter	Description
get	Returns the current setting.
yes	Enables the option.
no	Disables the option.

### Feedback Examples

- ```
requi reacctnumtodi al yes
returns
requi reacctnumtodi al yes
```
- ```
requi reacctnumtodi al no
returns
requi reacctnumtodi al no
```
- ```
requi reacctnumtodi al get
returns
requi reacctnumtodi al no
```

Comments

When this option is selected, you cannot make a call without first entering an account number. This account number is saved in the Global Management System server database along with information specific to the call. Typically, the Global Management System administrator assigns the account number.

resetsystem

Resets the system and, optionally, deletes system settings or local address book entries.

Syntax

```
resetsystem [del etesystemsetti ngs]
[del etel ocal di rectory][del etecdr][del etel ogs][del etecerti fi cates]
```

| Parameter | Description |
|--------------------------|---|
| del etesystemsetti ngs | Resets all configuration settings to default values. |
| del etel ocal di rectory | Deletes all local directory entries from the address book. |
| del etecdr | Deletes the CDR file from the /opt/polycom/cdr directory after copying the contents of the file to the trace log. |
| del etel ogs | Deletes the system logs. |
| del etecerti fi cates | Deletes all certificates from the system. |

Feedback Examples

- ```
resetsystem
returns
resetsystem
```
- ```
resetsystem del etesystemsetti ngs
returns
resetsystem del etesystemsetti ngs
```
- ```
resetsystem del etel ocal di rectory
returns
resetsystem del etel ocal di rectory
```
- ```
resetsystem del etecdr
returns
resetsystem del etecdr
```
- ```
resetsystem del etesystemsetti ngs del etel ocal di rectory
del etecdr
returns
resetsystem del etesystemsetti ngs del etel ocal di rectory
del etecdr
```
- ```
resetsystem del etel ogs
returns
resetsystem del etel ogs
```

- `resetsystem del etecertificates`
returns
`resetsystem del etecertificates`

roomphonenumber

Sets or gets the number of the phone that is located in the same room as the system.

Syntax

```
roomphonenumber get
roomphonenumber set ["number"]
```

| Parameter | Description |
|-----------|---|
| get | Returns the current setting. |
| set | Sets the room phone number when followed by the "number" parameter. To erase the current setting, omit the "number" parameter. |
| "number" | Phone number for a telephone (not the system) in the room. Use quotation marks around the number if it contains spaces. For example: "408 555 2323" |

Feedback Examples

- roomphonenumber set
returns
roomphonenumber <empty>
- roomphonenumber set "408 555 2323"
returns
roomphonenumber 408.555.2323
- roomphonenumber get
returns
roomphonenumber 408.555.2323

Comments

If the system is managed by the Global Management System software, this number will be provided to the Global Management System administrator if the person using the system requests help.

rs232 baud, rs232port1 baud

The `rs232 baud` command sets or gets the baud rate for the first RS-232 port. For systems with two serial ports, use `rs232port1 baud` to set the rate for the second serial port.

Syntax

```
rs232 baud <get|9600|14400|19200|38400|57600|115200>
```

```
rs232port1 baud <get|9600|14400|19200|38400|57600|115200>
```

| Parameter | Description |
|-------------------------------------|---|
| get | Returns the current baud rate setting. |
| 9600 14400 19200 38400 57600 115200 | Sets the RS-232 port to this baud rate. |

Feedback Examples

- `rs232 baud 9600`
returns
`rs232 baud 9600`
- `rs232 baud get`
returns
`rs232 baud 9600`
- `rs232port1 baud 14400`
returns
`rs232port1 baud 14400`
- `rs232port1 baud get`
returns
`rs232port1 baud 14400`

rs232 mode, rs232port1 mode

The `rs232 mode` command sets or gets the operational mode of the first RS-232 port. For systems with two serial ports, use `rs232port1 mode` to set the mode for the second serial port.

Syntax

```
rs232 mode <get|passthru|control|debug|camera_ptz|closed_capti on|
vortex_mi xer|cps|i nteracti ve_touch_board|pol ycom_annotati on|
smartboard|poi ntmaker>
rs232port1 mode <get|passthru|control|debug|camera_ptz|closed_capti on|
vortex_mi xer|cps|i nteracti ve_touch_board|pol ycom_annotati on|
smartboard|poi ntmaker>
```

| Parameter | Description |
|----------------------------|---|
| get | Returns the current mode setting. |
| passthru | Sets the RS-232 port to Pass Thru mode. |
| control | Sets the RS-232 port to Control mode. |
| debug | Sets the RS-232 port to Debug mode. |
| camera_ptz | Sets the RS-232 port to Camera PTZ mode. |
| closed_capti on | Sets the RS-232 port to Closed Caption mode. |
| vortex_mi xer | Sets the RS-232 port to Vortex Mixer mode. |
| i nteracti ve_touch_ board | Sets the RS-232 port to Interactive Touch Board mode. |
| smartboard | Sets the RS-232 port to Interactive Touch Board mode (to control a Polycom SMART board device). |
| pol ycom_annotati on | Sets the RS-232 port to Polycom Annotation mode. |
| cps poi ntmaker | Reserved for future applications. |

Feedback Examples

- `rs232 mode control`
returns
`rs232 mode control`
- `rs232port1 mode closed_capti on`
returns
`rs232port1 mode closed_capti on`

- `rs232port1 mode get`
returns
`rs232port1 mode closed_capti on`

rs366dialing

Sets or gets RS-366 dialing. This command is only applicable if you have a V.35 network interface connected to your system.

Syntax

```
rs366di al i ng <get|on|off>
```

| Parameter | Description |
|-----------|------------------------------|
| get | Returns the current setting. |
| on | Enables RS-366 dialing. |
| off | Disables RS-366 dialing. |

Feedback Examples

- rs366di al i ng on
returns
rs366di al i ng on
- rs366di al i ng off
returns
rs366di al i ng off
- rs366di al i ng get
returns
rs366di al i ng off

Comments

Enable this option if you want to call from the system through the DCE connection to the far-site video conferencing system. Disable this option if you are using your DCE to dial the call or if you have a dedicated connection to the far site.

rt

Sets or gets the RT serial interface control signal (receive timing: clock). This command is only applicable if you have a V.35 network interface connected to your system.

Syntax

rt <get|normal|i nverted>

| Parameter | Description |
|-----------|---|
| get | Returns the current setting. |
| normal | Sets the signal to normal (rising edge receives data). |
| i nverted | Sets the signal to inverted (falling edge receives data). |

Feedback Examples

- rt normal
returns
rt normal
- rt i nverted
returns
rt i nverted
- rt get
returns
rt i nverted

Comments

The default setting is normal .

rts

Sets or gets the RTS serial interface control signal (request to send). This command is only applicable if you have a V.35 network interface connected to your system.

Syntax

```
rts <get|normal|i nverted>
```

| Parameter | Description |
|-----------|---|
| get | Returns the current setting. |
| normal | Sets the signal to normal (high voltage is logic 1). |
| i nverted | Sets the signal to inverted (low voltage is logic 1). |

Feedback Examples

- rts normal
returns
rts normal
- rts i nverted
returns
rts i nverted
- rts get
returns
rts i nverted

Comments

The default setting is "normal".

screen

Returns the name of the current user interface screen on the system, registers or unregisters for screen changes, or goes to a specific user interface screen.

Syntax

```
screen
screen register get
screen [register|unregister]
screen "screen_name"
```

| Parameter | Description |
|---------------|--|
| screen | Returns the name of the current user interface screen if not followed by other parameters. |
| register | Registers for user interface screen changes. In register mode, the name of every screen accessed is listed. |
| get | Returns the registration state for screen change events when followed by the get parameter. |
| unregister | Unregisters from user interface screen changes. |
| "screen_name" | Changes the user interface to display the specified screen. The supported screens depend on the system configuration. To determine the name to use for a specific screen, navigate to that screen in the user interface and send the screen command. |

Feedback Examples

- screen
returns
screen: admnsetti ngs
if the Admin Settings screen is currently displayed in the user interface
- screen register
returns
screen regi stered
- screen moni tors
returns
screen: moni tors
and displays the Monitors screen in the user interface

screencontrol

Disables or enables navigation to specified user interface screens of the system.

Syntax

```
screencontrol enable <all|none|"screen_name">
screencontrol disable <all|none|"screen_name">
```

| Parameter | Description |
|---------------|--|
| enable | Enables navigation to the specified user interface screen(s). |
| all | All of the user interface screens. |
| none | None of the user interface screens. |
| "screen_name" | Name of a specific user interface screen. |
| disable | Disables navigation to the specified user interface screen(s). |

Feedback Examples

- `screencontrol enable all`
returns
`screencontrol enable all success`
- `screencontrol disable adminsettings`
returns
`screencontrol disable adminsettings success`
and disables navigation to the Admin Settings screen of the user interface
- `screencontrol disable none`
returns
`screencontrol disable none success`
and reverses all screen disable commands
- `screencontrol disable main`
returns
error: screen "main" unknown
`screencontrol disable main failed`
if "main" is an unknown screen name

See Also

Refer to the [screen](#) command on page 4-310 for details about accessing screen names.

serialnum

Returns the serial number of the system.

Syntax

serial num

Feedback Examples

- serial num
returns
serial num 82065205E72EC1

servervalidatepeercert

Enables certificate validation by specifying whether the HDX system requires a browser to present a valid certificate when it tries to connect to the HDX web interface.

Syntax

```
servervalidatepeercert get  
servervalidatepeercert <yes|no>
```

| Parameter | Description |
|-----------|---|
| get | Returns the peer certificate validation setting for web servers. |
| yes | Enables peer certificate validation requirement for web servers. |
| no | Disables peer certificate validation requirement for web servers. |

Feedback Examples

- `servervalidatepeercert get`
returns
`servervalidatepeercert no`
- `servervalidatepeercert yes`
returns
`servervalidatepeercert yes`

Comments

After making a change, you must restart the system for the setting to take effect.

session

Names or finds an active API session.

Syntax

`session name "session-name"`

`session find "session-name"`

| Parameter | Description |
|---------------------------|--|
| <code>name</code> | Names the current API session. |
| <code>find</code> | Finds an active API session for this system. |
| <code>session-name</code> | Unique string that identifies the session. |

Feedback Examples

- `session name sessionone`
returns
`session name sessionone success`
- If entered again,
`session name sessionone`
returns
`info: the supplied session name is already in use`
`session name sessionone failed`
- `session find sessionone`
`info: session sessionone attached`
- `session find sessiontwo`
`info: session sessiontwo not connected`

sessionsenabled

Sets or gets the ability to monitor for and terminate inactive Polycom HDX web sessions.

Syntax

```
sessi onsenabl ed get  
sessi onsenabl ed <yes|no>
```

| Parameter | Description |
|-----------|--|
| get | Returns the current setting for web sessions monitoring. |
| yes | Enables web session monitoring. |
| no | Disables web session monitoring. |

Feedback Examples

- sessi onsenabl ed get
returns
sessi onsenabl ed yes
- sessi onsenabl ed yes
returns
sessi onsenabl ed yes

Comments

When sessionsenabled is set to yes, and a web session is started, the user must log in to each subsequent web request during the session.

setaccountnumber

Sets the account number when it is required for dialing out.

Syntax

```
setaccountnumber "account number"
```

| Parameter | Description |
|------------------|--|
| "account number" | Number that is needed to validate the account before dialing out. To erase the current setting, omit this parameter. |

Feedback Examples

- setaccountnumber 1234
returns
setaccountnumber 1234

Comments

The account number is saved in the Global Management System database and is generally assigned by the Global Management System administrator. The [requireacctnumtodial](#) command on page 4-300 and the [validateacctnum](#) command on page 4-460 must be enabled for this command to work. When you make a call, you will be prompted to enter your account number.

See Also

See the related [requireacctnumtodial](#) command on page 4-300 and [validateacctnum](#) command on page 4-460.

setpassword

Sets the admin password for the Polycom HDX system local admin account.

Syntax

```
setpassword admin room "currentacctpasswd" "newacctpasswd"
```

| Parameter | Description |
|---------------------|---|
| admin | Specifies the Polycom HDX system local admin account. |
| room | Changes the room password. |
| "currentacctpasswd" | The current account password. |
| "newacctpasswd" | The new account password. |

Feedback Examples

- setpassword admin room 123 456
returns
password changed
- setpassword admin room '' 456
returns
password changed
- setpassword admin room 123 ''
returns
password changed

Comments

If the account has no administrator room password, enter a pair of single quotes (") to denote an empty password.

showpopup

Displays a message box in the user interface.

Syntax

showpopup "text to display"

| Parameter | Description |
|-------------------|--|
| "text to display" | Message to display to users. Enclose the text in quotation marks if it contains a space. |

Feedback Examples

- showpopup "The conference will resume in three minutes."
returns
showpopup "The conference will resume in three minutes."
and displays the message box in the user interface

Comments

Sending this command displays the message as a popup dialog in the user interface, along with an alert tone.

sleep

Puts the system in sleep mode within 15 seconds and returns sleep.

Syntax

```
sleep
sleep <register|unregister>
```

| Parameter | Description |
|------------|--|
| sleep | Puts the system in sleep mode if not followed by other parameters. |
| register | Registers for sleep or wake events. |
| unregister | Unregisters from sleep or wake events. |

Feedback Examples

- sleep
returns
sleep
and puts the system in sleep mode within 15 seconds
- sleep register
returns
sleep registered
- If entered again,
sleep register
returns
info: event/notification already active: sleep
- sleep unregister
returns
sleep unregistered
- If entered again,
sleep unregister
returns
info: event/notification not active: sleep

See Also

To wake the system from sleep mode, use the [wake](#) command on page 4-475.

sleptext

Sets or gets the text to be displayed with the logo for 15 seconds as the system goes into sleep mode.

Syntax

```
sleptext get  
sleptext set ["text"]
```

| Parameter | Description |
|-----------|---|
| get | Returns the current text. |
| set | Sets the text to be displayed on the screen saver when followed by the "text" parameter. To erase the current setting, omit "text". |
| "text" | Screen saver text to be displayed when the system is in sleep mode. Enclose the text in quotation marks if it includes spaces. |

Feedback Examples

- ```
sleptext set
returns
sleptext <empty>
```
- ```
sleptext set "Pick up the remote control to use the system"  
returns  
sleptext "Pick up the remote control to use the system"
```

sleeptime

Sets or gets the wait time value before the system goes to sleep and displays the screen saver.

Syntax

```
sleeptime <get|0|1|3|15|30|60|120|240|480>
```

| Parameter | Description |
|----------------------------|--|
| get | Returns the current setting. |
| 0 1 3 15 30 60 120 240 480 | Sets the number of minutes from last user interaction to entering sleep mode. The default value is 3. A value of 0 indicates that the system will never go to sleep. |

Feedback Examples

- ```
sleeptime 30
returns
sleeptime 30
```

## snmpadmin

Sets or gets the SNMP administrator name.

### Syntax

```
snmpadmin get
snmpadmin set ["admin name"]
```

Parameter	Description
get	Returns the current setting.
set	Sets the administrator name when followed by the "admin name" parameter. To erase the current setting, omit "admin name".
"admin name"	SNMP administrator contact name. Character string. Enclose the character string in quotation marks if it includes spaces. Example: "John Admin"

### Feedback Examples

- snmpadmin set  
returns  
error: command needs more parameters to execute successfully
- snmpadmin set "John Admin"  
returns  
snmpadmin "John Admin"
- snmpadmin get  
returns  
snmpadmin "John Admin"

### Comments

After making a change, you must restart the system for the setting to take effect.



## snmpcommunity

Sets or gets the SNMP community name.

### Syntax

```
snmpcommuni ty get
snmpcommuni ty set ["communi ty name"]
```

Parameter	Description
get	Returns the current setting.
set	Sets the SNMP community name when followed by the "communi ty name" parameter. To erase the current setting, omit the parameter.
"communi ty name"	SNMP community name. Character string. Enclose the character string in quotation marks if it includes spaces.

### Feedback Examples

- snmpcommuni ty set  
returns  
snmpcommuni ty <empty>
- snmpcommuni ty set Public  
returns  
snmpcommuni ty Public
- snmpcommuni ty get  
returns  
snmpcommuni ty Public

### Comments

After making a change, you must restart the system for the setting to take effect.

## snmpconsoleip

Sets or gets the SNMP console IP address.

### Syntax

```
snmpconsoleip get
snmpconsoleip set ["xxx.xxx.xxx.xxx"]
```

Parameter	Description
get	Returns the current setting.
set	Sets the SNMP console IP address when followed by the "xxx.xxx.xxx.xxx" parameter. To erase the current setting, omit the parameter.
"xxx.xxx.xxx.xxx"	IP address of the console.

### Feedback Examples

- ```
snmpconsoleip set
returns
snmpconsoleip <empty>
```
- ```
snmpconsoleip set 192.168.1.111
returns
snmpconsoleip 192.168.1.111
```
- ```
snmpconsoleip get 192.168.1.111
returns
snmpconsoleip 192.168.1.111
```

Comments

After making a change, you must restart the system for the setting to take effect.

snmplocation

Sets or gets the SNMP location name.

Syntax

```
snmplocation get  
snmplocation ["location name"]
```

| Parameter | Description |
|-----------------|---|
| get | Returns the current setting. |
| "location name" | SNMP location name. Enclose the location name in quotation marks if it includes spaces. To erase the current setting, omit the parameter. |

Feedback Examples

- snmplocation
returns
snmplocation <empty>
- snmplocation "Mary_Polycom in United States"
returns
snmplocation "Mary_Polycom in United States"
- snmplocation get
returns
snmplocation "Mary_Polycom in United States"

Comments

After making a change, you must restart the system for the setting to take effect.

snmpsystemdescription

Sets or gets the SNMP system description.

Syntax

```
snmpsystemdescription get
snmpsystemdescription set ["system description"]
```

| Parameter | Description |
|----------------------|---|
| get | Returns the current setting. |
| set | Sets the SNMP system description when followed by the "system description" parameter. To erase the current setting, omit the parameter. |
| "system description" | SNMP system description. |

Feedback Examples

- snmpsystemdescription set
returns
snmpsystemdescription <empty>
- snmpsystemdescription set "videoconferencing system"
returns
snmpsystemdescription "videoconferencing system"
- snmpsystemdescription get
returns
snmpsystemdescription "videoconferencing system"

Comments

After making a change, you must restart the system for the setting to take effect.

snmptrapversion

Sets or gets the SNMP trap version.

Syntax

```
snmptrapversion get  
snmptrapversion set <v1|v2c>
```

| Parameter | Description |
|-----------|---|
| get | Returns the current setting. |
| set | Sets the SNMP trap protocol that the system uses. |
| v1 v2c | SNMP trap version 1 or version 2c. |

Feedback Examples

- snmptrapversion set v1
returns
snmptrapversion v1
- snmptrapversion set v2c
returns
snmptrapversion v2c
- snmptrapversion get
returns
snmptrapversion v2c

Comments

After making a change, you must restart the system for the setting to take effect.

soundeffectsvolume

Sets, gets, or tests the volume level of the ring tone and user alert tone on the system.

Syntax

```
soundeffectsvolume get
soundeffectsvolume set {0..10}
soundeffectsvolume test
```

| Parameter | Description |
|-----------|--|
| get | Returns the current setting along with a test tone from the system at that volume level. |
| set | Sets the volume of sound effects. Requires a volume parameter in the range {0..10}. |
| test | Tests the volume of sound effects. |

Feedback Examples

- soundeffectsvolume set 6
returns
soundeffectsvolume 6
- soundeffectsvolume get
returns
soundeffectsvolume 6
- soundeffectsvolume test
returns
soundeffectsvolume test
and a tone is produced by the system

soundeffectsvolume

Sets, gets, or tests the volume level of the ring tone and user alert tone on the system.

Syntax

```
soundeffectsvolume get
soundeffectsvolume set {0..10}
soundeffectsvolume test
```

| Parameter | Description |
|-----------|--|
| get | Returns the current setting along with a test tone from the system at that volume level. |
| set | Sets the volume of sound effects. Requires a volume parameter in the range {0..10}. |
| test | Tests the volume of sound effects. |

Feedback Examples

- soundeffectsvolume set 6
returns
soundeffectsvolume 6
- soundeffectsvolume get
returns
soundeffectsvolume 6
- soundeffectsvolume test
returns
soundeffectsvolume test
and a tone is produced by the system

speeddial

Returns speed dial (Sites) entries. Note that the speed dial commands and responses are nearly identical to the corresponding local address book commands.

Syntax

```
speeddial names <all|video|phone> [<range_start>] [<range_end>]
speeddial names <all|video|phone> size
speeddial group "group_name" [<range_start>] [<range_end>]
speeddial group "group_name" size
speeddial address "sys_name" ["sys_label"]
```

| Parameter | Description |
|-------------------|--|
| names | Returns a list of system names in the speed dial (Sites) list. Also returns the system type: video, multicodec, phone, or multisite. A multicodec system appears as a single row.

The response is in the following format:
speeddial names {0..n}. name: "sys_name"
sys_label: "sys_label "
type:
<video multicodec phone group>
...
speeddial names <all video phone> done |
| <all video phone> | Specifies the type of entries to return. video returns entries that have video addresses. phone returns entries that have only phone numbers and no video numbers. all returns entries with video numbers or phone numbers or both. |
| size | Returns the size of the result set that will be returned by the command. The size parameter can be used with the names command.

The response is returned in the following format:
speeddial names <all video phone> size {0..n} |
| range_start | For the names and group command, specifies the beginning of the range of entries to return. |
| range_end | For the names and group command, specifies the end of the range of entries to return. If a range_start is specified without a range_end, then the single range_start entry is returned. If range_end is -1, all entries starting with range_start is returned. |

| Parameter | Description |
|---------------------------------|--|
| group | Returns a list of the names of all the sites included in a local directory group in this format:
speeddial group {0..n}.
name:"site_sys_name"
sys_label:"site_sys_label"
...
speeddial group "group_name" [range] done
speeddial group size <num_entries>
Note: For ITP version 2.5 and later a "group" is a local directory multisite entry. Starting with the HDX Durango release, multisite directory groups are converted to groups. |
| group_name_multisite_entry_name | A local directory group name. |

| Parameter | Description |
|-----------|---|
| address | <p>Obtains the address information for a specified entry. If the entry is an ITP system, the results include the addresses for all codecs. If the codecs support multiple protocols, the different addresses are returned on separate lines. This command is not supported for multisite entries.</p> <p>The response is in the following format:</p> <pre>speeddial address {0..n}. name: "sys_name" sys_label: "sys_label " codec: <1..4> h323_spd: "h323_spd" h323_num: "h323_num" h323_ext: "h323_ext" speeddial address {0..n}. name: "sys_name" sys_label: "sys_label " codec: <1..4> sip_spd: "sip_spd" sip_num: "sip_num" speeddial address {0..n}. name: "sys_name" sys_label: "sys_label " codec: <1..4> xmpp: "xmpp_addr" speeddial address {0..n}. name: "sys_name" sys_label: "sys_label " codec: <1..4> phone_num: "phone_num" speeddial address {0..n}. name: "sys_name" sys_label: "sys_label " codec: <1..4> isdn_spd: "isdn_spd" isdn_num: "isdn_num" isdn_ext: "isdn_ext" ... speeddial address name: "sys_name" sys_label: "sys_label "</pre> |
| sys_name | <p>The friendly name for a speed dial entry. It is the name of the person or the room. It is surrounded by quotes if it contains spaces.</p> |
| sys_label | <p>If a person/room has more than one system, the result set includes a row for each system. If those systems are of the same type, such as all HDX systems, the client considers that entry to be a telepresence system with multiple codecs rather than separate systems. If the systems are of different types, such as an HDX system and a CMA Desktop system, then this sys_label attribute is included to differentiate the systems.</p> |

| Parameter | Description |
|----------------|---|
| type | The type of speed dial entry. Possible values are: video, multicodec, phone, group. |
| site_sys_name | The name of a site in a group. It is surrounded by quotes if it contains spaces. |
| site_sys_label | The label associated with a site name in a group. It is surrounded by quotes if it contains spaces. |
| codec: <1..4> | If the entry is a telepresence system, each codec includes a codec number attribute. |
| h323_spd | The preferred speed for an H.323 call to this entry. If no speed is associated with the entry, then the value of the configuration variable global_addrmaxh323 is returned. The default is 384. |
| h323_num | H.323 address or alias. |
| h323_ext | H.323 extension or E.164 number. |
| sip_spd | The preferred speed for a SIP call to this entry. If no speed is associated with the entry, then this is the same as the h323_spd. |
| sip_num | SIP address. |
| xmpp_addr | XMPP address, also known as the Jabber ID (JID). |
| phone_num | Phone number; a concatenation of the Country Code, National Destination Code, and Subscriber Number. |

Feedback Examples

- ```
speeddial names all size 4
returns
speeddial names 0. name: "Evergreen" sys_label: "HDX"
type: video
speeddial names 1. name: "ITP Staff Mtg" sys_label: ""
type: group
speeddial names 2. name: "Magnolia" sys_label: "HDX" type: video
speeddial names 3. name: "Vineyard" sys_label: "HDX"
type: multicodec
speeddial names all done
```

Speed dial entries can link to either local or global directory entries and can be a local group.

- ```
speeddial names all 0 1
returns
speeddial names 0. name: "Evergreen" sys_label: "HDX"
type: video
```

```
speeddial names 1. name: "ITP Staff Mtg" sys_label: ""
type: group
speeddial names all 0 1 done
```

- speeddial group
 - returns
 - speeddial group "Monday Staff Mtg" speeddial multi sites 0.
 - name: "Eng RPX" sys_label: "HDX"
 - speeddial multi sites 1. name: "Geno Alissi" sys_label: ""
 - speeddial multi sites 2. name: "Joseph Sigrist" sys_label: ""
 - speeddial multi sites 3. name: "TPW" sys_label: "HDX"
 - speeddial multi sites "Monday Staff Mtg" done

The group query is the same as that for the local directory. It returns all the sites in the group.

- speeddial address "Vineyard" "HDX"
 - returns
 - speeddial address 0. name: "Vineyard" sys_label: "HDX" codec: 1
 - h323_spd: 384 h323_num: h323_ext: 44042
 - speeddial address 1. name: "Vineyard" sys_label: "HDX"
 - codec: 2
 - h323_spd: 384 h323_num: h323_ext: 44043
 - speeddial address 2. name: "Vineyard" sys_label: "HDX"
 - codec: 3
 - h323_spd: 384 h323_num: h323_ext: 44044
 - speeddial address name: "Vineyard" sys_label: "HDX" done

If the entry is an ITP system, the results include address information for each codec. If the entry has multiple endpoints of different types, the addresses for each endpoint are returned including a `sys_label` attribute to distinguish the endpoints. For Polycom RealPresence Resource Manager, `sys_label` is the type of endpoint, such as HDX or CMAD.

Comments

You do not need to enclose a value in quotes unless it contains a space.

See Also

[addrbook](#) on page 4-12 and [gaddrbook](#) on page 4-145.

st

Sets or gets the st serial interface control signal (send timing: clock) setting. This command is only applicable if you have a V.35 network interface connected to your system.

Syntax

st <get|normal|i nverted>

| Parameter | Description |
|-----------|---|
| get | Returns the current setting. |
| normal | Sets the signal to normal (falling edge sends data). |
| i nverted | Sets the signal to inverted (rising edge sends data). |

Feedback Examples

- st normal
returns
st normal
- st i nverted
returns
st i nverted
- st get
returns
st i nverted

Comments

The default setting is "normal".

sslverificationdepth

Specifies how many links a certificate chain can have.

Syntax

```
ssl verificationdepth get  
ssl verificationdepth set {0..12}
```

| Parameter | Description |
|-------------|--|
| get | Returns the current setting. |
| set {0..12} | Sets the number of links a certificate chain can have. Valid values are {0..12}. |

Feedback Examples

- ssl verificationdepth get
returns
ssl verificationdepth 3
- ssl verificationdepth set 5
returns
ssl verificationdepth 5

Comments

After making a change, you must restart the system for the setting to take effect.

subnetmask

Sets or gets the subnet mask of the system.

Syntax

```
subnetmask get
subnetmask set ["xxx.xxx.xxx.xxx"]
```

| Parameter | Description |
|-------------------|---|
| get | Returns the current subnet mask. |
| set | Sets the subnet mask of the system when followed by the "xxx.xxx.xxx.xxx" parameter. To erase the current setting, omit "xxx.xxx.xxx.xxx". This parameter is not allowed while in a call. |
| "xxx.xxx.xxx.xxx" | Subnet mask of the system. |

Feedback Examples

- subnetmask set 255.255.255.0
returns
subnetmask 255.255.255.0
- subnetmask get
returns
subnetmask 255.255.255.0

Comments

After making a change, you must restart the system for the setting to take effect.

sysinfo

Sets or gets registration for ISDN, IP, and gatekeeper status notifications.

Syntax

sysinfo <get|register|unregister>

| Parameter | Description |
|------------|---|
| get | Returns registration status. |
| register | Registers the shell session to receive ISDN, IP, and gatekeeper status notifications. |
| unregister | Unregisters the shell session for ISDN, IP, and gatekeeper status notifications. |

Feedback Examples

- sysinfo register
returns
sysinfo registered
- sysinfo unregister
returns
sysinfo unregistered
- sysinfo get
returns
sysinfo unregistered

The following are examples of notifications of status changes in ISDN lines that may be returned after registering to receive sysinfo notifications.

- linestate: isdnl ine[1] down
- linestate: isdnl ine[2] down
- linestate: isdnl ine[3] up
- linestate: isdnl ine[4] up
- linestate: isdnl ine[1] up
- linestate: isdnl ine[3] down
- linestate: isdnl ine[4] down
- linestate: isdnl ine[2] up

systemname

Sets or gets the name of the system.

Syntax

```
systemname get  
systemname set "system name"
```

| Parameter | Description |
|---------------|--|
| get | Returns the current setting. |
| set | Sets the system name to "system name". |
| "system name" | Character string specifying the system name. Enclose the string in quotation marks if it includes spaces. Example: "Pol ycom HDX Demo" |

Feedback Examples

- systemname set "Pol ycom HDX Demo"
returns
systemname "Pol ycom HDX Demo"
- systemname set get
returns
systemname "Pol ycom HDX Demo"

Comments

The first character must be a numeric (a digit) or alphabetic (a letter) character including foreign language characters. The name can be any combination of alphanumeric characters and may be up to 30 characters in length. The system name cannot be blank.

systemsetting 320gatewayenable

Enables IP-to-ISDN calling through a gateway.

Syntax

```
systemsetting 320gatewayenable <true|false>  
systemsetting get 320gatewayenable
```

| Parameter | Description |
|-----------|------------------------------|
| true | Enables ISDN gateway calls. |
| false | Disables ISDN gateway calls. |
| get | Returns the current setting. |

Feedback Examples

- systemsetting 320gatewayenable true
returns
systemsetting 320gatewayenable true
- systemsetting get 320gatewayenable
returns
systemsetting 320gatewayenable true

systemsetting 323gatewayenable

Enables IP-to-IP calling through a gateway.

Syntax

```
systemsetting 323gatewayenable <true|false>  
systemsetting get 323gatewayenable
```

| Parameter | Description |
|-----------|------------------------------|
| true | Enables IP gateway calls. |
| false | Disables IP gateway calls. |
| get | Returns the current setting. |

Feedback Examples

- systemsetting 323gatewayenable true
returns
systemsetting 323gatewayenable true
- systemsetting get 323gatewayenable
returns
systemsetting 323gatewayenable true

systemsetting bass

Sets or retrieves the volume level for the low frequencies without changing the master audio volume.

Syntax

```
systemsetting bass <-6|-4|-2|0|+2|+4|+6>  
systemsetting get bass
```

| Parameter | Description |
|-----------------------|---|
| <-6 -4 -2 0 +2 +4 +6> | Sets the level for the low frequencies. |
| get | Returns the current setting. |

Feedback Examples

- systemsetting bass -4
returns
systemsetting bass -4
- systemsetting get bass
returns
systemsetting bass -4

systemsetting cameraaspectratio

Specifies the aspect ratio for Camera 1.

Syntax

```
systemsetting Cameraaspectratio <4:3|16:9>
systemsetting get cameraaspectratio
```

| Parameter | Description |
|-----------|---|
| 4:3 | Specifies standard screen mode for camera aspect ratio. |
| 16:9 | Specifies wide-screen mode for camera aspect ratio. |
| get | Returns the current setting. |

Feedback Examples

- systemsetting cameraaspectratio 16:9
returns
systemsetting cameraaspectratio 16:9
- systemsetting get cameraaspectratio
returns
systemsetting cameraaspectratio 16:9

systemsetting cameraaspectratio1

Specifies the aspect ratio for a camera. The camera affected depends on the Polycom HDX system

- HDX 8000 and HDX 9000 Series: Camera 2
- HDX 6000 and HDX 7000 Series: Not supported

Syntax

```
systemsetting cameraaspectratio1 <4:3|16:9>
systemsetting get cameraaspectratio1
```

| Parameter | Description |
|-----------|---|
| 4:3 | Specifies standard screen mode for camera aspect ratio. |
| 16:9 | Specifies wide-screen mode for camera aspect ratio. |
| get | Returns the current setting. |

Feedback Examples

- systemsetting cameraaspectratio1 16:9
returns
systemsetting cameraaspectratio1 16:9
- systemsetting get cameraaspectratio1
returns
systemsetting cameraaspectratio1 16:9

systemsetting cameraaspectratio2

Specifies the aspect ratio for a camera. The camera affected depends on the HDX model:

- HDX 8000 and HDX9000 Series: Camera 3
- HDX 7000 Series: Camera 2
- HDX 6000 Series: Not supported

Syntax

```
systemsetting cameraaspectratio2 <4:3|16:9>
systemsetting get cameraaspectratio2
```

| Parameter | Description |
|-----------|---|
| 4:3 | Specifies standard screen mode for camera aspect ratio. |
| 16:9 | Specifies wide-screen mode for camera aspect ratio. |
| get | Returns the current setting. |

Feedback Examples

- systemsetting cameraaspectratio2 16:9
returns
systemsetting cameraaspectratio2 16:9
- systemsetting get cameraaspectratio2
returns
systemsetting cameraaspectratio2 16:9

systemsetting cameraaspectratio3

Specifies the aspect ratio for a camera. The camera affected depends on the HDX model:

- HDX 8000 and HDX 9000 Series: Camera 4
- HDX 7000 Series: Camera 3
- HDX 6000 Series: Camera 2

Syntax

```
systemsetting cameraaspectratio3 <4:3|16:9>
systemsetting get cameraaspectratio3
```

| Parameter | Description |
|-----------|---|
| 4:3 | Specifies standard screen mode for camera aspect ratio. |
| 16:9 | Specifies wide-screen mode for camera aspect ratio. |
| get | Returns the current setting. |

Feedback Examples

- systemsetting cameraaspectratio3 16:9
returns
systemsetting cameraaspectratio3 16:9
- systemsetting get cameraaspectratio3
returns
systemsetting cameraaspectratio3 16:9

systemsetting cameraaspectratio4

Specifies the aspect ratio for Camera 5 on Polycom HDX 9004 systems.

Syntax

```
systemsetting cameraaspectratio4 <4:3|16:9>  
systemsetting get cameraaspectratio4
```

| Parameter | Description |
|-----------|---|
| 4:3 | Specifies standard screen mode for camera aspect ratio. |
| 16:9 | Specifies wide-screen mode for camera aspect ratio. |
| get | Returns the current setting. |

Feedback Examples

- systemsetting cameraaspectratio4 16:9
returns
systemsetting cameraaspectratio4 16:9
- systemsetting get cameraaspectratio4
returns
systemsetting cameraaspectratio4 16:9

systemsetting cameracontent1

Specifies Aux or Camera 2 as a People or Content source.

Syntax

```
systemsetting cameracontent1 <people|content>  
systemsetting get cameracontent1
```

| Parameter | Description |
|-----------|---------------------------------------|
| people | Specifies camera as a People source. |
| content | Specifies camera as a Content source. |
| get | Returns the current setting. |

Feedback Examples

- systemsetting cameracontent1 people
returns
systemsetting cameracontent1 people
- systemsetting cameracontent1 content
returns
systemsetting cameracontent1 content
- systemsetting get cameracontent1
returns
systemsetting cameracontent1 content

Comments

This command is valid on Polycom HDX 8000 and HDX 9000 systems only.

systemsetting cameracontent2

Specifies Camera 3 as a People or Content source.

Syntax

```
systemsetting cameracontent2 <people|content>
systemsetting get cameracontent2
```

| Parameter | Description |
|-----------|---------------------------------------|
| people | Specifies camera as a People source. |
| content | Specifies camera as a Content source. |
| get | Returns the current setting. |

Feedback Examples

- systemsetting cameracontent2 people
returns
systemsetting cameracontent2 people
- systemsetting cameracontent2 content
returns
systemsetting cameracontent2 content
- systemsetting get cameracontent2
returns
systemsetting cameracontent2 content

Comments

This command is valid on Polycom HDX 8000 and HDX 9000 systems only.

systemsetting cameracontent3

Specifies Camera 4 as a people or content source.

Syntax

```
systemsetting cameracontent3 <people|content>  
systemsetting get cameracontent3
```

| Parameter | Description |
|-----------|---------------------------------------|
| people | Specifies camera as a people source. |
| content | Specifies camera as a content source. |
| get | Returns the current setting. |

Feedback Examples

- systemsetting cameracontent3 people
returns
systemsetting cameracontent3 people
- systemsetting cameracontent3 content
returns
systemsetting cameracontent3 content
- systemsetting get cameracontent3
returns
systemsetting cameracontent3 people

systemsetting cameracontent4

Specifies Camera 5 as a People or Content source

Syntax

```
systemsetting cameracontent4 <people|content>  
systemsetting get cameracontent4
```

| Parameter | Description |
|-----------|---------------------------------------|
| people | Specifies camera as a People source. |
| content | Specifies camera as a Content source. |
| get | Returns the current setting. |

Feedback Examples

- systemsetting cameracontent4 people
returns
systemsetting cameracontent4 people
- systemsetting cameracontent4 content
returns
systemsetting cameracontent4 content
- systemsetting get cameracontent4
returns
systemsetting cameracontent4 content

Comments

This command is valid on Polycom HDX 8000 and HDX 9000 systems only.

systemsetting cameraname

Specifies a name for Camera 1.

Syntax

```
systemsetting cameraname ["name"]  
systemsetting get cameraname
```

| Parameter | Description |
|-----------|--------------------------------|
| "name" | Specifies name for the camera. |
| get | Returns the current setting. |

Feedback Examples

- systemsetting cameraname Instructor
returns
systemsetting cameraname Instructor
- systemsetting get cameraname
returns
systemsetting cameraname Instructor

systemsetting cameraname1

Specifies a name for a camera. The camera affected depends on the Polycom HDX system:

- HDX 8000 and HDX 9000 series: Camera 2
- HDX 6000, and HDX 7000 series: Not supported

Syntax

```
systemsetting cameraname1 ["name"]  
systemsetting get cameraname1
```

| Parameter | Description |
|-----------|--------------------------------|
| "name" | Specifies name for the camera. |
| get | Returns the current setting. |

Feedback Examples

- systemsetting cameraname1 Student
returns
systemsetting cameraname1 Student
- systemsetting get cameraname1
returns
systemsetting cameraname1 Student

systemsetting cameraname2

Specifies a name for a camera. The camera affected depends on the Polycom HDX system.

- HDX 8000, HDX 9000 series: Camera 3
- HDX 7000 Series: Camera 2
- HDX 6000 series: Not supported

Syntax

```
systemsetting cameraname2 ["name"]
systemsetting get cameraname2
```

| Parameter | Description |
|-----------|--------------------------------|
| "name" | Specifies name for the camera. |
| get | Returns the current setting. |

Feedback Examples

- systemsetting cameraname2 DVD
returns
systemsetting cameraname2 DVD
- systemsetting get cameraname2
returns
systemsetting cameraname2 DVD

systemsetting cameraname3

Specifies a name for a Camera 4.

Syntax

```
systemsetting cameraname3 ["name"]  
systemsetting get cameraname3
```

| Parameter | Description |
|-----------|--------------------------------|
| "name" | Specifies name for the camera. |
| get | Returns the current setting. |

Feedback Examples

- systemsetting cameraname3 PC
returns
systemsetting cameraname3 PC
- systemsetting get cameraname3
returns
systemsetting cameraname3 PC

systemsetting cameraname4

Specifies a name for a Camera 5 on Polycom HDX 9004 systems.

Syntax

```
systemsetting cameraname4 ["name"]  
systemsetting get cameraname4
```

| Parameter | Description |
|-----------|--------------------------------|
| "name" | Specifies name for the camera. |
| get | Returns the current setting. |

Feedback Examples

- systemsetting cameraname4 Satellite
returns
systemsetting cameraname4 Satellite
- systemsetting get cameraname4
returns
systemsetting cameraname4 Satellite

systemsetting cameratype

Returns the type of camera detected by the system.

Syntax

```
systemsetting get cameratype
```

| Parameter | Description |
|-----------|------------------------------|
| get | Returns the current setting. |

Feedback Examples

- systemsetting get cameratype
returns
systemsetting cameratype NTSC

Comments

The camera type is automatically detected and cannot be changed.

systemsetting componentresolution

Specifies the component output resolution of Monitor 1.

Syntax

```
systemsetting componentresolution <720p|1080i|1080p>
systemsetting get componentresolution
```

| Parameter | Description |
|--------------------|--|
| <720p 1080i 1080p> | Specifies the component output resolution of Monitor 1. Choices are: <ul style="list-style-type: none"> 720p--720P HD Video. 1080i --1080i HD Video (not supported on HDX 9001, 9002, or 9004 systems.) 1080p--1080p HD Video (not supported on HDX 9001, 9002, or 9004 systems.) |
| get | Returns the current setting. |

Feedback Examples

- systemsetting componentresolution 720p
returns
systemsetting componentresolution 720p
- systemsetting get componentresolution
returns
systemsetting componentresolution 720p

Comments

This command sets the output resolution for Monitor 1 if configured for component output.

This command is not supported on HDX 6000 systems.

systemsetting componentresolution 1

Specifies the component output resolution of Monitor 2.

Syntax

```
systemsetting componentresolution <720p|1080i|1080p>
systemsetting get componentresolution
```

| Parameter | Description |
|--------------------|---|
| <720p 1080i 1080p> | Specifies the component output resolution of Monitor 2. Choices are: <ul style="list-style-type: none"> 720p--720P HD Video 1080i --1080i HD Video (not supported on HDX 9001, 9002, or 9004 systems.) 1080p--1080p HD Video (not supported on HDX 9001, 9002, or 9004 systems.) |
| get | Returns the current setting. |

Feedback Examples

- systemsetting componentresolution 720p
returns
systemsetting componentresolution 720p
- systemsetting get componentresolution
returns
systemsetting componentresolution 720p

Comments

This command sets the output resolution for Monitor 2 if configured for component output.

This command is not supported on HDX 6000 systems.

systemsetting connectionpreference

Specifies whether the system uses the Video Dialing Order or the Phone Dialing Order first when placing calls.

Syntax

```
systemsetting connectionpreference <VIDEO_THEN_AUDIO|AUDIO_THEN_VIDEO>  
systemsetting get connectionpreference
```

| Parameter | Description |
|------------------|---|
| VIDEO_THEN_AUDIO | Sets Video as the preferred call choice before Audio calls. |
| AUDIO_THEN_VIDEO | Sets Audio as the preferred call choice before Video calls. |
| get | Returns the current setting. |

Feedback Examples

- systemsetting connectionpreference VIDEO_THEN_AUDIO
returns
systemsetting connectionpreference VIDEO_THEN_AUDIO
- systemsetting get connectionpreference
returns
systemsetting connectionpreference VIDEO_THEN_AUDIO

systemsetting country

Specifies the country in which the Polycom HDX system is located.

Syntax

```
systemsetting country <country>
systemsetting get country
```

| Parameter | Description |
|-----------|---|
| country | Specifies the country that the system is located in. Fiji Islands |
| get | Returns the current setting. |

Feedback Examples

- systemsetting country "United States"
returns
systemsetting country "United States"
- systemsetting get country
returns
systemsetting country "United States"

Comments

If the system is in a call, you cannot change the country.

If setting the country value to a country name with more than one word, such as United States, you must enter the country in quotation marks:

```
"United States"
```

Valid country codes are:

- Afghanistan
- Albania
- Algeria
- American Samoa
- Andorra
- Angola
- Anguilla
- Antarctica
- Antigua

- Argentina
- Armenia
- Aruba
- Ascension Islands
- Australia
- Australian Ext. Territories
- Austria
- Azerbaijan
- Bahamas
- Bahrain
- Bangladesh
- Barbados
- Barbuda
- Belarus
- Belgium
- Belize
- Benin Republic
- Bermuda
- Bhutan
- Bolivia
- Bosnia and Herzegovina
- Botswana
- Brazil
- British Virgin Islands
- Brunei
- Bulgaria
- Burkina Faso
- Burma (Myanmar)
- Burundi
- Cambodia
- Cameroon United Republic
- Canada
- Cape Verde Island

- Cayman Islands
- Central African Republic
- Chad Republic
- Chile
- China
- Christmas Island
- Cocos Islands
- Colombia
- Comoros
- Congo
- Congo Democratic Republic
- Cook Islands
- Costa Rica
- Croatia
- Cuba
- Curacao
- Cyprus
- Czech Republic
- Denmark
- Diego Garcia
- Djibouti
- Dominica
- Dominican Republic
- Easter Island
- East Timor
- Ecuador
- Egypt
- El Salvador
- Equatorial Guinea
- Eritrea
- Estonia
- Ethiopia
- Faeroe Islands

- Falkland Islands
- Fiji Islands
- Finland
- France
- French Antilles
- French Guiana
- French Polynesia
- Gabon
- Gambia
- Georgia
- Germany
- Ghana
- Gibraltar
- Greece
- Greenland
- Grenada
- Guadeloupe
- Guam
- Guantanamo Bay
- Guatemala
- Guinea
- Guinea-Bissau
- Guyana
- Haiti
- Honduras
- Hong Kong
- Hungary
- Iceland
- Inmarsat (Atlantic Ocean West)
- Inmarsat (Atlantic Ocean East)
- Inmarsat (Indian Ocean)
- Inmarsat (Pacific Ocean)
- Inmarsat (SNAC)

- India
- Indonesia
- Iran
- Iraq
- Ireland
- Israel
- Italy
- Ivory Coast
- Jamaica
- Japan
- Jordan
- Kazakhstan
- Kenya
- Kiribati
- Korea North
- Korea South
- Kuwait
- Kyrgyzstan
- Laos
- Latvia
- Lebanon
- Lesotho
- Liberia
- Libya
- Liechtenstein
- Lithuania
- Luxembourg
- Macao
- Macedonia
- Madagascar
- Malawi
- Malaysia
- Maldives

- Mali
- Malta
- Mariana Islands
- Marshall Islands
- Martinique
- Mauritania
- Mauritius
- Mayotte Island
- Mexico
- Micronesia
- Midway Island
- Moldova
- Monaco
- Mongolia
- Montserrat
- Morocco
- Mozambique
- Myanmar (Burma)
- Namibia
- Nauru
- Nepal
- Netherlands
- Netherlands Antillies
- Nevis
- New Caledonia
- New Zealand
- Nicaragua
- Niger
- Nigeria
- Niue
- Norfolk Island
- Norway
- Oman

- Pakistan
- Palau
- Palestine
- Panama
- Papua New Guinea
- Paraguay
- Peru
- Philippines
- Poland
- Portugal
- Puerto Rico
- Qatar
- Reunion Island
- Romania
- Russia
- Rwanda
- St Helena
- St Kitts
- St Lucia
- St Pierre and Miquelon
- St Vincent
- San Marino
- Sao Tome and Principe
- Saudi Arabia
- Senegal
- Serbia and Montenegro
- Seychelles
- Sierra Leone
- Singapore
- Slovakia
- Slovenia
- Solomon Islands
- Somalia Republic

- South Africa
- Spain
- Sri Lanka
- Sudan
- Suriname
- Swaziland
- Sweden
- Switzerland
- Syria
- Taiwan
- Tajikistan
- Thailand
- Togo
- Tonga
- Trinidad and Tobago
- Tunisia
- Turkey
- Turkmenistan
- Turks and Caicos
- Tuvalu
- Uganda
- Ukraine
- United Arab Emirates
- United Kingdom
- United States
- Uruguay
- US Virgin Islands
- Uzbekistan
- Vanuatu
- Vatican City
- Venezuela
- Vietnam
- Wake Island

- Wallis And Futuna Islands
- Western Samoa
- Yemen
- Zambia
- Zanzibar
- Zimbabwe

systemsetting dialingmethod

Specifies the preferred method for dialing various call types.

Syntax

```
systemsetting dialingmethod <auto|manual >
systemsetting get dialingmethod
```

| Parameter | Description |
|-----------|---|
| auto | Sets the dialing mode to Auto. Calls use the configured dialing order. |
| manual | Sets the dialing mode to Manual. The system prompts the user to select the call type from a list when placing a call. |
| get | Returns the current setting. |

Feedback Examples

- systemsetting dialingmethod auto
returns
systemsetting dialingmethod auto
- systemsetting get dialingmethod
returns
systemsetting dialingmethod auto

systemsetting displayiconincall

Specifies whether to display icons on the info bar when the system is in a call.

Syntax

```
systemsetting displayiconincall <true|false>  
systemsetting get displayiconincall
```

| Parameter | Description |
|-----------|---|
| true | Specifies to display the icons on the info bar while in a call. |
| false | Specifies to not display the icons on the info bar while in a call. |
| get | Returns the current setting. |

Feedback Examples

- systemsetting displayiconincall true
returns
systemsetting displayiconincall true
- systemsetting get displayiconincall
returns
systemsetting displayiconincall true

systemsetting displaylastnumberdialed

Specifies whether to display the last number dialed or clear the dialing field on the Home screen.

Syntax

```
systemsetting displaylastnumberdialed <true|false>
systemsetting get displaylastnumberdialed
```

| Parameter | Description |
|-----------|--|
| true | Displays the last number dialed in the dialing field on the Home screen. |
| false | Clears the last number in the dialing field on the Home screen. |
| get | Returns the current setting. |

Feedback Examples

- systemsetting displaylastnumberdialed true
returns
systemsetting displaylastnumberdialed true
- systemsetting get displaylastnumberdialed
returns
systemsetting displaylastnumberdialed true

systemsetting domainname

Sets or retrieves the DNS domain assigned to the system.

Syntax

```
systemsetting domainname <domain>  
systemsetting get domainname
```

| Parameter | Description |
|-----------|---|
| domain | The domain string with syntax " _{subdomain1} >.<subdomain2>.<...>.<domaintype>"
Maximum length 40 characters. |
| get | Returns the current setting. |

Feedback Examples

- systemsetting domainname polycom.com
returns
systemsetting domainname polycom.com
- systemsetting get domainname
returns
systemsetting domainname polycom.com

systemsetting dviresolution

Specifies the resolution for the Monitor 1 DVI signal.

Syntax

```
systemsetting dvi resolution
<60HZ1024x768|70HZ1024x768|75HZ1024x768|50HZ1280x720|60HZ1280x720|60HZ1400x1050|50HZ1920x1080I|50HZ1920x1080P|60HZ1920x1080I|60HZ1920x1080P>
systemsetting get dvi resolution
```

| Parameter | Description |
|----------------|--|
| 60HZ1024x768 | Sets Monitor 1 resolution to 1024 x 768 at 60 Hertz. |
| 70HZ1024x768 | Sets Monitor 1 resolution to 1024 x 768 at 70 Hertz. |
| 75HZ1024x768 | Sets Monitor 1 resolution to 1024 x 768 at 75 Hertz. |
| 50HZ1280x720 | Sets Monitor 1 resolution to 1280 x 720 at 60 Hertz |
| 60HZ1280x720 | Sets Monitor 1 resolution to 1280 x 720 at 60 Hertz (NTSC systems) |
| 60HZ1400x1050 | Sets Monitor 1 resolution to 1400 x 1050 at 60 Hertz (RPX 8006 only) |
| 50HZ1920x1080I | Sets Monitor 1 resolution to 1920 x 1080I at 50 Hertz (PAL HDX 6000, HDX 7000, HDX 8000, HDX 9006 only) |
| 50HZ1920x1080P | Sets Monitor 1 resolution to 1920 x 1080P at 50 Hertz (PAL HDX 6000, 7000, 8000, 9006 only) |
| 60HZ1920x1080I | Sets Monitor 1 resolution to 1920 x 1080I at 60 Hertz (NTSC HDX 6000, HDX 7000, HDX 8000, HDX 9006 only) |
| 60HZ1920x1080P | Sets Monitor 1 resolution to 1920 x 1080P at 60 Hertz (NTSC HDX HDX 6000, HDX 7000, HDX 8000, HDX 9006 only) |
| get | Returns the current setting. |

Feedback Examples

- ```
systemsetting dvi resolution 60HZ1280x720
returns
systemsetting dvi resolution 60HZ1280x720
```

- `systemsetting get dvi resolution`  
returns  
`systemsetting dvi resolution 60HZ1280x720`

### Comments

This command only sets the resolution for DVI; it does not change the signal type. Use the [systemsetting monitoroutputsignal](#) command on page 4-403 to change the signal type.

## systemsetting dvi resolution1

Specifies the resolution for the Monitor 2 DVI signal.

### Syntax

```
systemsetting dvi resolution1
<60HZ800x600|72HZ800x600|75HZ800x600|60HZ1024x768|70HZ1024x768|
75HZ1024x768|50HZ1280x720|60HZ1280x720|60HZ1400x1050\50HZ1920x1
080I|50HZ1920x1080P|60HZ1920x1080I|60HZ1920x1080P>
systemsetting get dvi resolution1
```

Parameter	Description
60HZ800x600	Sets Monitor 2 resolution to 800x600 at 60 Hertz.
72HZ800x600	Sets Monitor 2 resolution to 800x600 at 72 Hertz.
75HZ800x600	Sets Monitor 2 resolution to 800x600 at 75 Hertz.
60HZ1024x768	Sets Monitor 2 resolution to 1024 x 768 at 60 Hertz.
70HZ1024x768	Sets Monitor 2 resolution to 1024 x 768 at 70 Hertz.
75HZ1024x768	Sets Monitor 2 resolution to 1024 x 768 at 75 Hertz.
550HZ1280x720	Sets Monitor 2 resolution to 1280 x 720 at 50 Hertz (PAL systems only, all models except HDX 6000).
60HZ1280x720	Sets Monitor 2 resolution to 1280 x 720 at 60 Hertz (NTSC systems only, all models except HDX 6000).
60HZ1400x1050	Sets Monitor 1 resolution to 1400 x 1050 at 60 Hertz (RPX 8006 only)
50HZ1920x1080I	Sets Monitor 1 resolution to 1920 x 1080I at 50 Hertz (PAL HDX 6000, 7000, 8000, 9006 only)
50HZ1920x1080P	Sets Monitor 1 resolution to 1920 x 1080P at 50 Hertz (PAL HDX 6000, 7000, 8000, 9006 only)
60HZ1920x1080I	Sets Monitor 1 resolution to 1920 x 1080I at 60 Hertz (NTSC HDX 6000, 7000, 8000, 9006 only)
60HZ1920x1080P	Sets Monitor 1 resolution to 1920 x 1080P at 60 Hertz (NTSC HDX 6000, 7000, 8000, 9006 only)
get	Returns the current setting.

### Feedback Examples

- `systemsetting dvi resolution 60HZ800x600`  
returns  
`systemsetting dvi resolution 60HZ800x600`
- `systemsetting get dvi resolution`  
returns  
`systemsetting dvi resolution 60HZ800x600`

### Comments

This command only sets the resolution for DVI; it does not change the signal type. Use the [systemsetting monitoroutputsignal](#) command on page [4-403](#) to change the signal type.

## systemsetting dvi resolution3

Specifies the resolution for the Monitor 4 DVI signal.

### Syntax

```
systemsetting dvi resolution3
<60HZ800x600|72HZ800x600|75HZ800x600|60HZ1024x768|70HZ1024x768|
75HZ1024x768|50HZ1280x720|60HZ1280x720|60HZ1280x1024>
systemsetting get dvi resolution3
```

Parameter	Description
60HZ800x600	Sets Monitor 4 resolution to 800x600 at 60 Hertz.
72HZ800x600	Sets Monitor 4 resolution to 800x600 at 72 Hertz.
75HZ800x600	Sets Monitor 4 resolution to 800x600 at 75 Hertz.
60HZ1024x768	Sets Monitor 4 resolution to 1024 x 768 at 60 Hertz.
70HZ1024x768	Sets Monitor 4 resolution to 1024 x 768 at 70 Hertz.
75HZ1024x768	Sets Monitor 4 resolution to 1024 x 768 at 75 Hertz.
550HZ1280x720	Sets Monitor 4 resolution to 1280 x 720 at 50 Hertz (PAL systems only).
60HZ1280x720	Sets Monitor 4 resolution to 1280 x 720 at 60 Hertz (NTSC systems only)
60HZ1280x1024	Sets Monitor 4 resolution to 1280 x 1024 at 60 Hertz.
get	Returns the current setting.

### Feedback Examples

- ```
systemsetting dvi resolution3 60HZ800x600
returns
systemsetting dvi resolution3 60HZ800x600
```
- ```
systemsetting get dvi resolution3
returns
systemsettings dvi resolution3 60HZ800x600
```

### Comments

This command only sets the resolution for DVI; it does not change the signal type. Use the [systemsetting monitoroutputsignal](#) command on page 4-403 to change the signal type.

This command is valid on Polycom 9004 systems only.



## systemsetting enablegdsdirectory

Sets or returns the GDS Directory server configuration state.

### Syntax

```
systemsetting enablegdsdirectory <true|false>
systemsetting get enablegdsdirectory
```

Parameter	Description
true	Enables GDS directory configuration.
false	Disables GDS directory configuration.
get	Returns the current setting.

### Feedback Examples

- systemsetting enablegdsdirectory true  
returns  
systemsetting enablegdsdirectory true
- systemsetting get enablegdsdirectory  
returns  
systemsetting enablegdsdirectory true

## systemsetting enablepolycomms

Specifies whether microphones attached to the system's microphone input are enabled.

### Syntax

```
systemsetting enablepolycomms <true|false>
systemsetting get enablepolycomms
```

Parameter	Description
true	Enables Polycom microphones.
false	Disables Polycom microphones.
get	Returns the current setting.

### Feedback Examples

- systemsetting enablepolycomms true  
returns  
systemsetting enablepolycomms true
- systemsetting get enablepolycomms  
returns  
systemsetting enablepolycomms true

## systemsetting farnamedisplaytime

Sets or returns the time to display the far site name on the monitor.

### Syntax

```
systemsetting farnamedisplaytime <off|on|15|30|60|120>
systemsetting get farnamedisplaytime
```

Parameter	Description
off	Disables the far site name from being displayed on the monitor during a call.
on	Enables the far site name from being displayed on the monitor during a call.
15	Sets the far site name to be displayed on the monitor for 15 seconds when call connects.
30	Sets the far site name to be displayed on the monitor for 30 seconds when call connects.
60	Sets the far site name to be displayed on the monitor for 60 seconds when call connects.
120	Sets the far site name to be displayed on the monitor for 120 seconds when call connects.
get	Returns the current setting.

### Feedback Examples

- ```
systemsetting farnamedisplaytime 30
returns
systemsetting farnamedisplaytime 30
```
- ```
systemsetting get farnamedisplaytime
returns
systemsetting farnamedisplaytime 30
```

## systemsetting iph323enable

Allows the system to make IP calls.

### Syntax

```
systemsetting iph323enable <true|false>
systemsetting get iph323enable
```

Parameter	Description
true	Enables IP call capability.
false	Disables IP call capability.
get	Returns the current setting.

### Feedback Examples

- systemsetting iph323enable true  
returns  
systemsetting iph323enable true
- systemsetting get iph323enable  
returns  
systemsetting iph323enable true

## systemsetting ipmaxincoming

Sets or returns the bandwidth used when receiving IP calls.

### Syntax

```
systemsetting ipmaxincoming [speed]
systemsetting get ipmaxincoming
```

Parameter	Description
speed	The maximum speed allowed for incoming IP calls.
get	Returns the current setting.

### Feedback Examples

- systemsetting ipmaxincoming 384  
returns  
systemsetting ipmaxincoming 384
- systemsetting get ipmaxincoming  
returns  
systemsetting ipmaxincoming 384

## systemsetting isdnh320enable

Allows the system to make ISDN calls.

### Syntax

```
systemsetting isdnh320enable <true|false>
systemsetting get isdnh320enable
```

Parameter	Description
true	Enables ISDN/H320 capability.
false	Disables ISDN/H320 capability.
get	Returns the current setting.

### Feedback Examples

- systemsetting isdnh320enable true  
returns  
systemsetting isdnh320enable true
- systemsetting get isdnh320enable  
returns  
systemsetting isdnh320enable true

## systemsetting isdnmaxincoming

Allows you to restrict the bandwidth used when receiving ISDN/H.320 calls.

### Syntax

```
systemsetting isdnmaxincoming [speed]
systemsetting get isdnmaxincoming
```

Parameter	Description
speed	The maximum speed allowed for incoming ISDN/H.320 calls.
get	Returns the current setting.

### Feedback Examples

- systemsetting isdnmaxincoming 384  
returns  
systemsetting isdnmaxincoming 384
- systemsetting get isdnmaxincoming  
returns  
systemsetting isdnmaxincoming 384

## systemsetting ldapuserid

Sets or returns the LDAP user account name.

### Syntax

```
systemsetting ldapuserid <"userid">
systemsetting get ldapuserid
```

Parameter	Description
"userid"	Specifies the user account name.
get	Returns the current setting.

### Feedback Examples

- systemsetting ldapuserid local user  
returns  
systemsetting ldapuserid local user
- systemsetting get ldapuserid  
returns  
systemsetting ldapuserid local user



## systemsetting lineinlevel

Sets or returns the volume level for audio input 1.

### Syntax

```
systemsetting lineinlevel {0..10}
systemsetting get lineinlevel
```

Parameter	Description
0..10	Sets the volume level for input 1. Valid range is 0 to 10.
get	Returns the current setting.

### Feedback Examples

- systemsetting lineinlevel 5  
returns  
systemsetting lineinlevel 5
- systemsetting get lineinlevel  
returns  
systemsetting lineinlevel 5

## systemsetting lineintype

Sets or returns the signal level coming from the device connected to audio input 1.

### Syntax

```
systemsetting lineintype <LINE_INPUT|MICROPHONE>
systemsetting get lineintype
```

Parameter	Description
LINE_INPUT	Specifies line level for audio input 1.
MICROPHONE	Specifies microphone level for audio input 1 (HDX 9001, 9002, and 9004 systems only).
get	Returns the current setting.

### Feedback Examples

- systemsetting lineintype LINE\_INPUT  
returns  
systemsetting lineintype LINE\_INPUT
- systemsetting get lineintype  
returns  
systemsetting lineintype LINE\_INPUT

## systemsetting lineoutmode

Specifies whether the volume for a device connected to the audio line out connectors is variable or fixed.

### Syntax

```
systemsetting lineoutmode <fixed|variable>
systemsetting get lineoutmode
```

Parameter	Description
fixed	Sets the volume to the audio level specified in the system interface.
variable	Allows users to set the volume with the remote control.
get	Returns the current setting.

### Feedback Examples

- systemsetting lineoutmode fixed  
returns  
systemsetting lineoutmode fixed
- systemsetting get lineoutmode  
returns  
systemsetting lineoutmode fixed

## systemsetting maxrxbandwidth

Specifies the maximum receive line speed between 64 kbps and 4096 kbps.

### Syntax

```
systemsetting maxrxbandwidth [speed]
systemsetting get maxrxbandwidth
```

Parameter	Description
speed	Sets the maximum speed for receiving calls.
get	Returns the current setting.

### Feedback Examples

- systemsetting maxrxbandwidth 1920  
returns  
systemsetting maxrxbandwidth 1920
- systemsetting get maxrxbandwidth  
returns  
systemsetting maxrxbandwidth 1920

## systemsetting maxtxbandwidth

Specifies the maximum transmit line speed between 64 kbps and 4096 kbps.

### Syntax

```
systemsetting maxtxbandwidth [speed]
systemsetting get maxtxbandwidth
```

Parameter	Description
speed	Sets the maximum speed for placing calls.
get	Returns the current setting.

### Feedback Examples

- systemsetting maxtxbandwidth 1920  
returns  
systemsetting maxtxbandwidth 1920
- systemsetting get maxtxbandwidth  
returns  
systemsetting maxtxbandwidth 1920

## systemsetting mediainputlevel

Specifies the volume level for the media audio input.

### Syntax

```
systemsetting mediainputlevel <auto|0..10>
systemsetting get mediainputlevel
```

Parameter	Description
auto	Allows the system software to adjust the input level.
0..10	Sets the volume level of the media input to the specified value.
get	Returns the current setting.

### Feedback Examples

- systemsetting mediainputlevel 5  
returns  
systemsetting mediainputlevel 5
- systemsetting get mediainputlevel  
returns  
systemsetting mediainputlevel 5

## systemsetting model

Returns the model of the HDX system

### Syntax

```
systemsetting get model
```

Parameter	Description
get	Returns the current setting.

### Feedback Examples

- systemsetting get model  
returns  
systemsetting model "HDX 8000 HD"

## systemsetting modelcamer anum 1

Returns the model of the camera attached to the Camera 1 port.

### Syntax

```
systemsetting get modelcamer anum1
```

Parameter	Description
get	Returns the current setting.

### Feedback Examples

- systemsetting get modelcamer anum1  
returns  
systemsetting modelcamer anum1 Pol ycom\_Eagl e\_Eye



## systemsetting modelcamer anum2

Returns the model of the camera attached to the camera port. The specific camera port referenced depends on the HDX model:

- HDX 8000 and HDX 9000 Series: Camera 2
- HDX 6000 and HDX 7000 Series: Not supported

### Syntax

```
systemsetting get modelcamer anum2
```

Parameter	Description
get	Returns the current setting.

### Feedback Examples

- ```
systemsetting get modelcamer anum2
```


returns

```
systemsetting modelcamer anum2 UNKNOWN_CAMERA_MODEL
```

systemsetting modelcamer anum3

Returns the model of the camera attached to the camera port. The specific camera port referenced depends on the HDX model:

- HDX 8000 and HDX 9000 series: Camera 3
- HDX 7000 series: Camera 2
- HDX 6000 series: Not supported

Syntax

systemsetting get modelcamer anum3

| Parameter | Description |
|-----------|------------------------------|
| get | Returns the current setting. |

Feedback Examples

```
systemsetting get modelcamer anum3
```

returns

```
systemsetting modelcamer anum3 Polycom Eagle Eye
```

systemsetting modelcamer anum4

Returns the model of the camera attached to the camera port. The specific camera port referenced depends on the HDX model:

- HDX 8000 and HDX 9000 series: Camera 4
- HDX 7000 series: Camera 3
- HDX 6000 Series: Camera 2

Syntax

```
systemsetting get modelcamer anum3
```

| Parameter | Description |
|-----------|------------------------------|
| get | Returns the current setting. |

Feedback Examples

```
systemsetting get modelcamer anum4
```

returns

```
systemsetting modelcamer anum4 Polycom Eagle Eye
```

systemsetting modelcamer anum5

Returns the model of the camera attached to camera port 5 on Polycom HDX 9004 systems.

Syntax

```
systemsetting get model camer anum5
```

| Parameter | Description |
|-----------|------------------------------|
| get | Returns the current setting. |

Feedback Examples

```
systemsetting get model camer anum5
```

returns

```
systemsetting model camer anum5 Polycom Eagle Eye
```

systemsetting monitor3display

Configures Monitor 3 aspect ratio or turns Monitor 3 off.

Syntax

```
systemsetting monitor3display <off|4:3|16:9>  
systemsetting get monitor3display
```

| Parameter | Description |
|-----------|--|
| off | Select if you do not have a VCR or DVD connected or do not need Monitor 3. |
| 4:3 | Select if you are using a regular TV monitor. |
| 16:9 | Select if you are using a wide-screen monitor. |
| get | Returns the current setting. |

Feedback Examples

- systemsetting monitor3display 16:9
returns
systemsetting monitor3display 16:9
- systemsetting get monitor3display
returns
systemsetting monitor3display 16:9

systemsetting monitor4display

Configures Monitor 4 aspect ratio or turns Monitor 4 off.

Syntax

```
systemsetting monitor4display <off|4:3|16:9>
systemsetting getget monitor4display
```

| Parameter | Description |
|-----------|--|
| off | Select if you do not have a fourth monitor. |
| 4:3 | Select if you are using a regular TV monitor. |
| 16:9 | Select if you are using a wide-screen monitor. |
| get | Returns the current setting. |

Feedback Examples

- ```
systemsetting monitor4display 16:9
returns
systemsetting monitor4display 16:9
```
- ```
systemsetting get monitor4display
returns
systemsetting monitor4display 16:9
```

systemsetting monitor3screensaveroutput

Specifies whether black video or no signal is sent to Monitor 3 when the system goes to sleep and the screen saver activates.

Syntax

```
systemsetting monitor3screensaveroutput <Black|No_Si gnal >  
systemsetting get monitor3screensaveroutput
```

| Parameter | Description |
|------------|--|
| Black | Displays black video when the system goes into sleep mode. |
| No_Si gnal | Displays no video when the system goes into sleep mode. |
| get | Returns the current setting. |

Feedback Examples

- systemsetting monitor3screensaveroutput Black
returns
systemsetting monitor3screensaveroutput Black
- systemsetting get monitor3screensaveroutput
returns
systemsetting monitor3screensaveroutput Black

systemsetting monitor4screensaveroutput

Specifies whether black video or no signal is sent to Monitor 4 when the system goes to sleep and the screen saver activates.

Syntax

```
systemsetting monitor4screensaveroutput <Black|No_Signal >  
systemsetting get monitor4screensaveroutput
```

| Parameter | Description |
|-----------|--|
| Black | Displays black video when the system goes into sleep mode. |
| No_Signal | Displays no video when the system goes into sleep mode. |
| get | Returns the current setting. |

Feedback Examples

- systemsetting monitor4screensaveroutput Black
returns
systemsetting monitor4screensaveroutput Black
- systemsetting get monitor4screensaveroutput
returns
systemsetting monitor4screensaveroutput Black

systemsetting monitoroutputsignal

Specifies the Monitor 1 video format.

Syntax

```
systemsetting monitoroutputsignal <DVI|VGA|Component_YPbPr|
S_Video|Composite>
systemsetting get monitoroutputsignal
```

| Parameter | Description |
|-----------------|--|
| DVI | Specifies DVI as Monitor 1 video format. |
| VGA | Specifies VGA as Monitor 1 video format. |
| Component_YPbPr | Specifies Component as Monitor 1 video format. |
| S_Video | Specifies S-Video as Monitor 1 video format (HDX 9001, HDX 9002, and HDX 9004 only). |
| Composite | Specifies composite as Monitor 1 video format (HDX 9001, HDX 9002, and HDX 9004 only). |
| get | Returns the current setting. |

Feedback Examples

- ```
systemsetting monitoroutputsignal S_Video
returns
systemsetting monitoroutputsignal S_Video
```
- ```
systemsetting get monitoroutputsignal 1
returns
systemsetting monitoroutputsignal S_Video
```

systemsetting monitoroutputsignal 1

Specifies the Monitor 2 video format.

Syntax

```
systemsetting monitoroutputsignal 1 <DVI|VGA|Component_YPbPr|
S_Video|Composite>
systemsetting get monitoroutputsignal 1
```

| Parameter | Description |
|-----------------|--|
| DVI | Specifies DVI as Monitor 2 video format. |
| VGA | Specifies VGA as Monitor 2 video format. |
| Component_YPbPr | Specifies Component as Monitor 2 video format. |
| S_Video | Specifies S-Video as Monitor 2 video format (HDX 9001, HDX 9002, and HDX 9004 only). |
| Composite | Specifies composite as Monitor 2 video format (HDX 9001, HDX 9002, and HDX 9004 only). |
| get | Returns the current setting. |

Feedback Examples

- ```
systemsetting monitoroutputsignal 1 S_Video
returns
systemsetting monitoroutputsignal 1 S_Video
```
- ```
systemsetting get monitoroutputsignal 1
returns
systemsetting monitoroutputsignal 1 S_Video
```

systemsetting monitoroutputsignal2

Specifies the Monitor 3 video format.

Syntax

```
systemsetting monitoroutputsignal2 <S_Video|Composite>  
systemsetting get monitoroutputsignal2
```

| Parameter | Description |
|-----------|--|
| S_Video | Specifies S-Video as Monitor 3 video format. |
| Composite | Specifies composite as Monitor 3 video format. |
| get | Returns the current setting. |

Feedback Examples

- systemsetting monitoroutputsignal2 S_Video
returns
systemsetting monitoroutputsignal2 S_Video
- systemsetting get monitoroutputsignal2
returns
systemsetting monitoroutputsignal2 S_Video

systemsetting monitoroutputsignal3

Specifies the Monitor 4 video format.

Syntax

```
systemsetting monitoroutputsignal3 <DVI|VGA|Component_YPbPr>
systemsetting get monitoroutputsignal3
```

| Parameter | Description |
|-----------|--|
| DVI | Specifies DVI as Monitor 4 video format. |
| S_Video | Specifies S-Video as Monitor 4 video format. |
| Composite | Specifies composite as Monitor 4 video format. |
| get | Returns the current setting. |

Feedback Examples

- systemsetting monitoroutputsignal3 S_Video
returns
systemsetting monitoroutputsignal3 S_Video
- systemsetting get monitoroutputsignal3
returns
systemsetting monitoroutputsignal3 S_Video

systemsetting overscanenabled1

Sets or returns the overscan mode for Monitor 1.

Syntax

```
systemsetting overscanenabled1 <true|false>  
systemsetting get overscanenabled1
```

| Parameter | Description |
|-----------|------------------------------|
| true | Enables overscan mode. |
| false | Disables overscan mode. |
| get | Returns the current setting. |

Feedback Examples

- systemsetting overscanenabled1 true
returns
systemsetting overscanenabled1 true
- systemsetting get overscanenabled1
returns
systemsetting overscanenabled1 true

systemsetting overscanenabled2

Sets or returns the overscan mode for Monitor 2.

Syntax

```
systemsetting overscanenabled2 <true|false>  
systemsetting get overscanenabled2
```

| Parameter | Description |
|-----------|------------------------------|
| true | Enables overscan mode. |
| false | Disables overscan mode. |
| get | Returns the current setting. |

Feedback Examples

- systemsetting overscanenabled2 true
returns
systemsetting overscanenabled2 true
- systemsetting get overscanenabled2
returns
systemsetting overscanenabled2 true

systemsetting overscanenabled3

Sets or returns the overscan mode for Monitor 3

Syntax

```
systemsetting overscanenabled3 <true|false>
systemsetting get overscanenabled3
```

| Parameter | Description |
|-----------|------------------------------|
| true | Enables overscan mode. |
| false | Disables overscan mode. |
| get | Returns the current setting. |

Feedback Examples

- systemsetting overscanenabled3 true
returns
systemsettingoverscanenabled3 true
- systemsetting get overscanenabled3
returns
systemsettingoverscanenabled3 true

systemsetting overscanenabled4

Sets or returns the overscan mode for Monitor 4.

Syntax

```
systemsetting overscanenabled4 <true|false>  
systemsetting get overscanenabled4
```

| Parameter | Description |
|-----------|------------------------------|
| true | Enables overscan mode. |
| false | Disables overscan mode. |
| get | Returns the current setting. |

Feedback Examples

- systemsetting overscanenabled4 true
returns
systemsetting overscanenabled4 true
- systemsetting get overscanenabled4
returns
systemsetting overscanenabled4 true

systemsetting potsenable

Allows the system to make voice-only calls to any phone using an analog phone line.

Syntax

```
systemsetting potsenable <true|false>  
systemsetting get potsenable
```

| Parameter | Description |
|-----------|---|
| true | Enables voice-only calls from analog phone line. |
| false | Disables voice-only calls from analog phone line. |
| get | Returns the current setting. |

Feedback Examples

- systemsetting potsenable true
returns
systemsetting potsenable true
- systemsetting get potsenable
returns
systemsetting potsenable true

systemsetting primarycamera

Specifies which camera is the main camera.

Syntax

```
systemsetting primarycamera {1..5}
systemsetting get primarycamera
```

| Parameter | Description |
|-----------|--|
| 1..5 | Sets the specified input as the primary camera (numbering convention matches the numbering in the on-screen user interface). |
| get | Returns the current setting. |

Feedback Examples

- systemsetting primarycamera 1
returns
systemsetting primarycamera 1
- systemsetting get primarycamera
returns
systemsetting primarycamera 1

Comments

This command causes the system to restart.

The primary camera is active when the Polycom HDX system initializes. Its source is automatically set to People.

Model-specific restrictions:

- HDX 6000: cameras 1 and 2 are supported
- HDX 7000: cameras 1, 2 and 3 are supported
- HDX 8000 and HDX 9000 (except 9004): cameras 1, 2, 3 and 4 are supported
- HDX 9004: cameras 1-5 are supported

systemsetting remotechannelid

Specifies the IR identification channel to which the Polycom HDX system responds.

Syntax

```
systemsetting remotechannelid {0..15}
systemsetting get remotechannelid
```

| Parameter | Description |
|-----------|---|
| 0..15 | Sets the channel ID to be used with the remote control. |
| get | Returns the current setting. |

Feedback Examples

- systemsetting remotechannelid 7
returns
systemsetting remotechannelid 7
- systemsetting get remotechannelid
returns
systemsetting remotechannelid 7

systemsetting securemode

Returns the status of whether the system is configured in Security Mode.

Syntax

```
systemsetting securemode <true|false>  
systemsetting get securemode
```

| Parameter | Description |
|-----------|------------------------------|
| true | Security Mode is enabled. |
| false | Security Mode is disabled. |
| get | Returns the current setting. |

Feedback Examples

- systemsetting securemode true
returns
systemsetting true
- systemsetting get securemode
returns
systemsetting securemode true

systemsetting sipaccountname

Sets or returns the SIP user account name.

Syntax

```
systemsetting sipaccountname <"si puser">  
systemsetting get sipaccountname
```

| Parameter | Description |
|------------|----------------------------------|
| "si puser" | Specifies the user account name. |
| get | Returns the current setting. |

Feedback Examples

- systemsetting sipaccountname polycom_user
returns
systemsetting sipaccountname polycom_user
- systemsetting get sipaccountname
returns
systemsetting sipaccountname polycom_user

systemsetting sipdebug

Sets or retrieves the state of SIP debug tracing in the system log.

Syntax

```
systemsetting sipdebug <true|false>  
systemsetting get sipdebug
```

| Parameter | Description |
|-----------|---|
| true | Enables SIP debug tracing in the system log. |
| false | Disables SIP debug tracing in the system log. |
| get | Returns the current setting. |

Feedback Examples

- systemsetting sipdebug true
returns
systemsetting sipdebug true
- systemsetting get sipdebug
returns
systemsetting sipdebug true

systemsetting sipenable

Enables or disables SIP calling.

Syntax

```
systemsetting sipenable <true|false>  
systemsetting get sipenable
```

| Parameter | Description |
|-----------|------------------------------|
| true | Enables SIP calling. |
| false | Disables SIP calling. |
| get | Returns the current setting. |

Feedback Examples

- systemsetting sipenable true
returns
systemsetting sipenable true
- systemsetting get sipenable
returns
systemsetting sipenable true

systemsetting sipassword

Sets the SIP server password.

Syntax

```
systemsetting sipassword <"password">
```

| Parameter | Description |
|------------|--|
| "password" | Password used to register with SIP server. |

Feedback Examples

- systemsetting sipassword secret
returns
systemsetting sipassword secret

systemsetting sipproxyserver

Sets or retrieves the address of the SIP proxy server.

Syntax

```
systemsetting sipproxyserver <address>  
systemsetting get sipproxyserver
```

| Parameter | Description |
|-----------|--|
| address | Address of the proxy server. Format can be either an actual IP address or a valid DNS hostname (PQP or FQP). |
| get | Returns the current setting. |

Feedback Examples

- systemsetting sipproxyserver pserver.abc.com
returns
systemsetting sipproxyserver pserver.abc.com
- systemsetting get sipproxyserver
returns
systemsetting sipproxyserver pserver.abc.com

systemsetting sipregistrarserver

Sets or retrieves the address of the SIP registrar server.

Syntax

```
systemsetting sipregistrarserver <address>  
systemsetting get sipregistrarserver
```

| Parameter | Description |
|-----------|--|
| address | Address of the registrar server. Format can be either an actual IP address or a valid DNS hostname (PQP or FQP). |
| get | Returns the current setting. |

Feedback Examples

- systemsetting sipregistrarserver pserver.abc.com
returns
systemsetting sipregistrarserver pserver.abc.com
- systemsetting get sipregistrarserver
returns
systemsetting sipregistrarserver pserver.abc.com

systemsetting siptransportprotocol

Indicates the protocol the system uses for SIP signaling.

Syntax

```
systemsetting siptransportprotocol <both|TCP|UDP>
systemsetting get siptransportprotocol
```

| Parameter | Description |
|-----------|--|
| both | Specifies to use both TCP and UDP as the SIP protocol. |
| TCP | Specifies to use TCP as the SIP protocol. |
| UDP | Specifies to use UDP as the SIP protocol. |
| get | Returns the current setting. |

Feedback Examples

- systemsetting siptransportprotocol TCP
returns
systemsetting siptransportprotocol TCP
- systemsetting get siptransportprotocol
returns
systemsetting siptransportprotocol TCP

systemsetting sipusername

Specifies the system's SIP name.

Syntax

```
systemsetting sipusername ["name"]  
systemsetting get sipusername
```

| Parameter | Description |
|-----------|--|
| "name" | Specifies to use both TCP and UDP as the SIP protocol. |
| get | Returns the current setting. |

Feedback Examples

- systemsetting sipusername Polycom
returns
systemsetting sipusername Polycom
- systemsetting get sipusername
returns
systemsetting sipusername Polycom

systemsetting stereoenable

Specifies that Polycom StereoSurround is used for all calls.

Syntax

```
systemsetting stereoenable <true|false>  
systemsetting get stereoenable
```

| Parameter | Description |
|-----------|------------------------------|
| true | Enables Polycom stereo. |
| false | Disables Polycom stereo. |
| get | Returns the current setting. |

Feedback Examples

- systemsetting stereoenable true
returns
systemsetting stereoenable true
- systemsetting get stereoenable
returns
systemsetting stereoenable true

systemsetting telnetenabled

Sets or gets the telnet ports.

Syntax

```
systemsetting telnetenabled <on|off|port24only>
systemsetting get telnetenabled
```

| Parameter | Description |
|------------|---------------------------------------|
| get | Returns the current setting. |
| on | Enables port 23 and port 24. |
| off | Disables port 23 and port 24. |
| port24only | Enables port 24 and disables port 23. |

Feedback Examples

- systemsetting telnetenabled on
returns
systemsetting telnetenabled on
- systemsetting get telnetenabled
returns
systemsetting telnetenabled on

Comments

After making a change, you must restart the system for the setting to take effect.

If a security profile is enabled on the system, you cannot activate telnet ports.

systemsetting timeelapsed

Sets or returns the time in call setting.

Syntax

```
systemsetting timeelapsed <off|elapsed|local time>  
systemsetting get timeelapsed
```

| Parameter | Description |
|------------|--|
| off | System does not display any times in call. |
| elapsed | System displays elapsed time in call. |
| local time | System displays local time in call. |
| get | Returns the current setting. |

Feedback Examples

- systemsetting timeelapsed elapsed
returns
systemsetting timeelapsed elapsed
- systemsetting get timeelapsed
returns
systemsetting timeelapsed elapsed

systemsetting transcodingenabled

Specifies whether the system allows each far-site system to connect at the best possible call rate and audio/video algorithm.

Syntax

```
systemsetting transcodingenabled <true|false>  
systemsetting get transcodingenabled
```

| Parameter | Description |
|-----------|------------------------------|
| true | Enables transcoding. |
| false | Disables transcoding. |
| get | Returns the current setting. |

Feedback Examples

- systemsetting transcodingenabled true
returns
systemsetting transcodingenabled true
- systemsetting get transcodingenabled
returns
systemsetting transcodingenabled true

systemsetting treble

Sets the volume level for the high frequencies without changing the master audio volume.

Syntax

```
systemsetting treble <-6|-4|-2|0|+2|+4|+6>  
systemsetting get treble
```

| Parameter | Description |
|-----------------------|--|
| <-6 -4 -2 0 +2 +4 +6> | Sets the level for the high frequencies. |
| get | Returns the current setting. |

Feedback Examples

- systemsetting treble -2
returns
systemsetting treble -2
- systemsetting get treble
returns
systemsetting treble -2

systemsetting userdomain

Sets or returns the user domain part of the credentials used to register to the LDAP Directory Server.

Syntax

```
systemsetting userdomain <domain>  
systemsetting get userdomain
```

| Parameter | Description |
|-----------|----------------------------------|
| domain | Any valid windows domain string. |
| get | Returns the current setting. |

Feedback Examples

- systemsetting userdomain Pol ycom
returns
systemsetting userdomain Pol ycom
- systemsetting get userdomain
returns
systemsetting userdomain Pol ycom

systemsetting vcrdvdinlevel

Sets the volume level for audio input 3.

Syntax

```
systemsetting vcrdvdinlevel <Auto|0..10>
systemsetting get vcrdvdinlevel
```

| Parameter | Description |
|-----------|--|
| Auto | Allows the codec software to adjust the input level. |
| 0..10 | Sets the volume level of the VCR/DVD input to the specified value. |
| get | Returns the current setting. |

Feedback Examples

- systemsetting vcrdvdinlevel Auto
returns
systemsetting vcrdvdinlevel Auto
- systemsetting get vcrdvdinlevel
returns
systemsetting vcrdvdinlevel Auto

systemsetting vcrdvdoutlevel

Sets the volume level for audio output 3.

Syntax

```
systemsetting vcrdvdoutlevel {0..10}  
systemsetting get vcrdvdoutlevel
```

| Parameter | Description |
|-----------|---|
| 0..10 | Sets the volume level of the VCR/DVD output to the specified value. |
| get | Returns the current setting. |

Feedback Examples

- systemsetting vcrdvdoutlevel 2
returns
systemsetting vcrdvdoutlevel 2
- systemsetting get vcrdvdoutlevel
returns
systemsetting vcrdvdoutlevel 2

systemsetting vgaresolution

Specifies the resolution for the Monitor 1 VGA signal.

Syntax

```
systemsetting vgaresolution
<60HZ1024x768|70HZ1024x768|75HZ1024x768|50HZ1280x720|60HZ1280x720|50HZ
1920x1080P|60HZ1920x1080P>
systemsetting get vgaresolution
```

| Parameter | Description |
|----------------|--|
| 60HZ1024x768 | Sets Monitor 1 resolution to 1024 x 768 at 60 Hertz. |
| 70HZ1024x768 | Sets Monitor 1 resolution to 1024 x 768 at 70 Hertz. |
| 75HZ1024x768 | Sets Monitor 1 resolution to 1024 x 768 at 75 Hertz. |
| 50HZ1280x720 | Sets Monitor 1 resolution to 1280 x 720 at 50 Hertz (PAL systems only) |
| 60HZ1280x720 | Sets Monitor 1 resolution to 1280 x 720 at 60 Hertz (NTSC systems only). |
| 50HZ1920x1080P | Sets Monitor 1 resolution to 1920x1080P at 50 Hertz (PAL systems only). |
| 60HZ1920x1080P | Sets Monitor 1 resolution to 1920x1080P at 60 Hertz (NTSC systems only). |
| get | Returns the current setting. |

Feedback Examples

- systemsetting vgaresolution 60HZ1280x720
returns
systemsetting vgaresolution 60HZ1280x720
- systemsetting get vgaresolution
returns
systemsetting vgaresolution 60HZ1280x720

systemsetting vgaresolution 1

Specifies the resolution for the Monitor 2 VGA signal.

Syntax

```
systemsetting vgaresolution
<60HZ800x600|72HZ800x600|75HZ800x600|60HZ1024x768|70HZ1024x768|75HZ1024x768|50HZ1280x720|60HZ1280x720|50HZ1920x1080P|60HZ1920x1080P>
systemsetting get vgaresolution
```

| Parameter | Description |
|----------------|--|
| 60HZ800x600 | Sets Monitor 2 resolution to 800x600 at 60 Hertz. |
| 72HZ800x600 | Sets Monitor 2 resolution to 800x600 at 72 Hertz. |
| 75HZ800x600 | Sets Monitor 2 resolution to 800x600 at 75 Hertz. |
| 60HZ1024x768 | Sets Monitor 2 resolution to 1024 x 768 at 60 Hertz. |
| 70HZ1024x768 | Sets Monitor 2 resolution to 1024 x 768 at 70 Hertz. |
| 75HZ1024x768 | Sets Monitor 2 resolution to 1024 x 768 at 75 Hertz. |
| 50HZ1280x720 | Sets Monitor 2 resolution to 1280 x 720 at 50 Hertz (PAL systems only). |
| 60HZ1280x720 | Sets Monitor 2 resolution to 1280 x 720 at 60 Hertz (NTSC systems only). |
| 50HZ1920x1080P | Sets Monitor 2 resolution to 1920x1080P at 50 Hertz (PAL systems only). |
| 60HZ1920x1080P | Sets Monitor 2 resolution to 1920x1080P at 60 Hertz (NTSC systems only). |
| get | Returns the current setting. |

Feedback Examples

- ```
systemsetting vgaresolution1 60HZ1280x720
returns
systemsetting vgaresolution1 60HZ1280x720
```
- ```
systemsetting get vgaresolution1
returns
systemsetting vgaresolution1 60HZ1280x720
```

Comments

This command only sets the resolution for VGA; it does not change the signal type. Use the [systemsetting monitoroutputsignal](#) command on page [4-403](#) to change the signal type.

systemsetting vgaresolution3

Specifies the resolution for the Monitor 4 VGA signal.

Syntax

```
systemsetting vgaresolution3
<60HZ800x600|72HZ800x600|75HZ800x600|60HZ1024x768|70HZ1024x768|75HZ1024x768|50HZ1280x720|60HZ1280x720|60HZ1280x1024P>
systemsetting get vgaresolution3
```

| Parameter | Description |
|----------------|---|
| 60HZ800x600 | Sets Monitor 4 resolution to 800x600 at 60 Hertz. |
| 72HZ800x600 | Sets Monitor 4 resolution to 800x600 at 72 Hertz. |
| 75HZ800x600 | Sets Monitor 4 resolution to 800x600 at 75 Hertz. |
| 60HZ1024x768 | Sets Monitor 4 resolution to 1024 x 768 at 60 Hertz. |
| 70HZ1024x768 | Sets Monitor 4 resolution to 1024 x 768 at 70 Hertz. |
| 75HZ1024x768 | Sets Monitor 4 resolution to 1024 x 768 at 75 Hertz. |
| 50HZ1280x720 | Sets Monitor 4 resolution to 1280x720 at 50 Hertz (PAL systems). |
| 60HZ1280x720 | Sets Monitor 4 resolution to 1280 x 720 at 60 Hertz (NTSC systems). |
| 60HZ1280x1024P | Sets Monitor 4 resolution to 1280 x 1024 at 60 Hertz. |
| get | Returns the current setting. |

Feedback Examples

- ```
systemsetting vgaresolution3 60HZ1280x720
returns
systemsetting vgaresolution3 60HZ1280x720
```
- ```
systemsetting get vgaresolution3
returns
systemsetting vgaresolution3 60HZ1280x720
```

Comments

This command only sets the resolution for VGA; it does not change the signal type. Use the [systemsetting monitoroutputsignal](#) command on page 4-403 to change the signal type.

systemsetting webenabled

Specifies whether to allow remote access to the system using the web interface.

Syntax

```
systemsetting webenabled <true|false>  
systemsetting get webenabled
```

| Parameter | Description |
|-----------|--|
| true | Enables remote access from the web interface. |
| false | Disables remote access from the web interface. |
| get | Returns the current setting. |

Feedback Examples

- systemsetting webenabled true
returns
systemsetting webenabled true
- systemsetting get webenabled
returns
systemsetting webenabled true

systemsetting whitebalancemode

Sets or returns the user white balance mode for a Polycom camera on Camera port 1.

Syntax

```
systemsetting whi tebal ancemode <atw|i ndoor|outdoor|awc>
systemsetting whi tebal ancemode <3680K|4160K|4640K|5120K>
systemsetting get whi tebal ancemode
```

| Parameter | Description |
|---------------------------|---|
| <atw indoor outdoor awc> | atw—Manual one touch white balance
indoor—Indoor lighting
outdoor—Outdoor lighting
awc—Automatic white balance |
| <3680K 4160K 4640K 5120K> | 3680K--3680° Kelvin
4160K--4160° Kelvin
4640K--4640° Kelvin
5120K--5120° Kelvin |
| get | Returns the current setting. |

Feedback Examples

- systemsetting whi tebal ancemode awc
returns
systemsetting whi tebal ancemode awc
- systemsetting get whi tebal ancemode
returns
systemsetting whi tebal ancemode awc

Comments

This command is not supported for non-Polycom cameras.

systemsetting whitebalancemode1

Sets or returns the user white balance mode for a Polycom camera on Camera port 2.

Syntax

```
systemsetting whi tebal ancemode1
<atw|i ndoor|3680K|4160K|4640K|5120K|outdoor|awc>
systemsetting get whi tebal ancemode1
```

| Parameter | Description |
|---|---|
| <atw i ndoor 3680K 4160K 4640K 5120K outdoor awc> | atw—Manual one touch white balance
indoor—Indoor lighting
3680K—3680° Kelvin
4160K—4160° Kelvin
4640K—4640° Kelvin
5120K—5120° Kelvin
outdoor—Outdoor lighting
awc—Automatic white balance |
| get | Returns the current setting. |

Feedback Examples

- systemsetting whi tebal ancemode1 awc
 returns
 systemsetting whi tebal ancemode1 awc
- systemsetting get whi tebal ancemode1
 returns
 systemsetting whi tebal ancemode1 awc

Comments

This command is supported on HDX 8000 and HDX 9000 series systems only. It is not supported for non-Polycom cameras.

tcpports

Sets or gets the TCP ports on the system.

Syntax

```
tcpports get  
tcpports set [{1024..49150}]
```

| Parameter | Description |
|-----------|--|
| set | Sets the TCP ports when followed by a value from the range {1024..49150}. To erase the current setting, omit the value. This parameter is not allowed while in a call. |
| get | Returns the current TCP port setting. |

Feedback Examples

- tcpports set 3233
returns
tcpports 3233
- tcpports get
returns
tcpports 3233

Comments

The **Fixed Ports** option on the Firewall screen must be selected for the **TCP Ports** option to be available.

techsupport

Sends your phone number to Global Management System technical support if your system is managed by the Global Management System.

Syntax

```
techsupport <"phone num">
```

| Parameter | Description |
|-------------|--|
| "phone num" | Phone number at which the user of this system will be contacted. To obtain rapid assistance, include the area code with the phone number. Enclose the string in quotation marks if it includes spaces. Example: "408 555 2323" |

Feedback Examples

- techsupport "408 555 2323"
returns
techsupport will contact you at 408 555 2323

Comments

The Support icon is visible only when the system is registered with the Polycom Global Management System.

teleareacode

Sets or gets the system's area code.

Syntax

```
tel eareacode get
tel eareacode set ["tel ephone_area_code"]
```

| Parameter | Description |
|------------------------|---|
| get | Returns the current setting. |
| set | Sets the system's area code when followed by the "tel ephone_area_code" parameter. To erase the current setting, omit the "tel ephone_area_code" parameter. |
| "tel ephone_area_code" | System's area code. |

Feedback Examples

- tel eareacode set
returns
tel eareacode <empty>
- tel eareacode set 408
returns
tel eareacode 408
- tel eareacode get
returns
tel eareacode 408

telenumber

Sets or gets the system's telephone number.

Syntax

```
tel number get
tel number set ["tel ephone_number"]
```

| Parameter | Description |
|---------------------|---|
| get | Returns the current setting. |
| set | Sets the telephone number when followed by the "tel ephone number" parameter. To erase the current setting, omit the parameter. |
| "tel ephone_number" | System's telephone number. Enclose the string in quotation marks if it includes spaces. Example: "408 555 2323" |

Feedback Examples

- tel number set
returns
tel number <empty>
- tel number set "408 555 2323"
returns
tel number "408 555 2323"
- tel number get
returns
tel number "408 555 2323"

telnetchoeol

Sets the echo end-of-line (EOL) characters to the default values of either the API echo or the serial port echo.

Syntax

```
tel netechoeol <get | crnl | nl cr>
```

| Parameter | Description |
|-----------|--|
| get | Returns the current setting for the end of line echo characters. |
| crnl | Sets the echo EOL characters to <CR><LF>. |
| nl cr | Sets the echo EOL characters to <LF><CR>. |

Feedback Examples

- tel netechoeol get
returns
tel netechoeol crnl
- tel netechoeol crnl
returns
tel netechoeol crnl
- tel netechoeol nl cr
returns
tel netechoeol nl cr

timediffgmt

Sets or gets the time difference from where the system is installed and Greenwich Mean Time (GMT). This allows the Global Management System to view the local time of the managed system.

Syntax

```
ti medi ffgmt <get|{-12:00..+12:00}>
```

| Parameter | Description |
|------------------|--|
| get | Returns the current setting. |
| {-12:00..+12:00} | Sets the time difference from GMT to this value. +00:00 is GMT time. |

Feedback Examples

- ti medi ffgmt -06:00
returns
ti medi ffgmt -06:00 success
- ti medi ffgmt get
returns
ti medi ffgmt -06:00 success

typeofservice

Sets or gets the type of service for Quality of Service.

Syntax

```
typeofservice <get|i pprecedence|di ffserv>
```

| Parameter | Description |
|---------------|--------------------------------|
| get | Returns the current setting. |
| i pprecedence | Selects IP precedence service. |
| di ffserv | Selects DiffServ service. |

Feedback Examples

- typeofservice di ffserv
returns
typeofservice di ffserv
- typeofservice i pprecedence
returns
typeofservice i pprecedence
- typeofservice get
returns either
typeofservice i pprecedence
or
typeofservice di ffserv

See Also

See the [ipprecaudio](#), [ipprececc](#), [ipprecvideo](#) command on page 4-208 and the [diffservaudio](#), [diffservcecc](#), [diffservvideo](#) command on page 4-104.

udpports

Sets or gets the UDP ports on the system.

Syntax

```
udpports get  
udpports set [{1024..49150}]
```

| Parameter | Description |
|-----------|--|
| get | Returns the current UDP port setting. |
| set | Sets the UDP ports when followed by a value from the range {1024..49150}. To erase the current setting, omit the value. This parameter is not allowed while in a call. |

Feedback Examples

- udpports set 3230
returns
udpports 3230
- udpports get
returns
udpports 3230

Comments

The Fixed Ports option on the Firewall screen must be selected for the UDP Ports option to be available.

unregisterall (deprecated)

Alias for the **all unregister** command.

Syntax

```
unregisterall
```

Feedback Examples

- ```
unregisterall
returns
callstate unregistered
camera unregistered
linestate unregistered
mute unregistered
pip unregistered
popup unregistered
popupinfo unregistered
preset unregistered
screen unregistered
vbutton unregistered
volume unregistered
sleep unregistered
phone unregistered
video unregistered
vstream unregistered
vc pod unregistered
vc lan unregistered
```

### See Also

This command is an alias for the preferred [all unregister](#) command on page 4-26.

To register for user feedback, use the [all register](#) command on page 4-24 or the [registerall \(deprecated\)](#) command on page 4-296.

## usefixedports

Sets or gets the Fixed Ports configuration.

### Syntax

```
usefi xedports <get|yes|no>
```

Parameter	Description
get	Returns the current setting.
yes	Enables the use of Fixed Ports.
no	Disables the use of Fixed Ports.

### Feedback Examples

- usefi xedports yes  
returns  
usefi xedports yes
- usefi xedports no  
returns  
usefi xedports no
- usefi xedports get  
returns  
usefi xedports no

## usegatekeeper

Sets or gets the gatekeeper mode (off, specify, or auto).

### Syntax

usegatekeeper <get|off|speci fy|auto>

Parameter	Description
get	Returns the current setting. Note: A gatekeeper is not required to make IP-to-IP LAN calls. In these situations, select the Off option.
off	Select this option if no gatekeeper is required or if you make IP-to-IP LAN calls.
speci fy	Specifies a gatekeeper. If this option is selected, you must enter the gatekeeper IP address or name using the <a href="#">gatekeeperip</a> command on page 4-155.
auto	Sets the system to automatically find an available gatekeeper.

### Feedback Examples

- usegatekeeper off  
returns  
usegatekeeper off
- usegatekeeper speci fy  
returns  
usegatekeeper speci fy
- usegatekeeper auto  
returns  
usegatekeeper auto
- usegatekeeper get  
returns  
usegatekeeper auto

### See Also

See the [gatekeeperip](#) command on page 4-155.

## usepathnavigator

Sets or gets the Polycom PathNavigator™ mode, Polycom ReadManager® SE200 mode, or RealPresence® Resource Manager™ mode if the PathNavigator, ReadManager, or Polycom Resource Manager system is used with the Polycom HDX system.

### Syntax

usepathnavigator <get | always | never | required>

Parameter	Description
get	Returns the current setting.
always	Always use the Conference on Demand feature available with the PathNavigator, ReadManager, or Polycom Resource Manager system to place a multipoint call. Never use the Polycom HDX system's internal multipoint capability.
never	Never use the Conference on Demand feature available with the PathNavigator, ReadManager, or Polycom Resource Manager system to place a multipoint call. Use the Polycom HDX system's internal multipoint capability instead.
required	This is the default. When this option is selected, the multipoint call is handled by the Polycom HDX system's internal multipoint capability if possible; otherwise, the multipoint call is handled through the Conference on Demand feature available with the PathNavigator, ReadManager, or Polycom Resource Manager system.

### Feedback Examples

- usepathnavigator always  
returns  
usepathnavigator always
- usepathnavigator never  
returns  
usepathnavigator never
- usepathnavigator required  
returns  
usepathnavigator required
- usepathnavigator get  
returns  
usepathnavigator required

## Comments

This option is only accessible if the PathNavigator, *ReadiManager*, or Polycom Resource Manager system is used.

The PathNavigator uses the Polycom MGC™ and can handle video conferences with more participants and higher speeds than a Polycom HDX system's internal multipoint capability.

The PathNavigator, *ReadiManager*, and Polycom Resource Manager systems support ad-hoc multipoint video conferencing through the Conference on Demand feature, which allows users to bring multiple endpoints together in a video conference on an unscheduled basis. It allows users to place multipoint video calls to remote participants by only using their names and/or the numbers that correspond to those remote locations.



## useroompassword

Sets or gets the Use Room Password for Remote Access setting.

### Syntax

```
useroompassword get
useroompassword <yes | no>
```

Parameter	Description
get	Returns the current setting.
no	Configures the system to use a separate room password and remote access password.
yes	Configures the system to use the same password for room and remote access.

### Feedback Examples

- useroompassword yes  
returns  
useroompassword yes
- useroompassword no  
returns  
useroompassword no
- useroompassword get  
returns  
useroompassword no

## v35broadcastmode

Sets or gets the V.35 broadcast mode. This command is only applicable if you have a V.35 network interface connected to your system.

### Syntax

v35broadcastmode <get|on|off>

Parameter	Description
get	Returns the current setting.
on	Turns on V.35 broadcast. This parameter is not allowed while in a call.
off	Turns off V.35 broadcast. This parameter is not allowed while in a call.

### Feedback Examples

- v35broadcast on  
returns  
v35broadcast on
- v35broadcast off  
returns  
v35broadcast off
- v35broadcast get  
returns  
v35broadcast off

## v35dialingprotocol

Sets or gets the V.35 dialing protocol. This command is only applicable if you have a V.35 network interface connected to your system.

### Syntax

```
v35dialingprotocol <get|rs366>
```

Parameter	Description
get	Returns the current setting.
rs366	Enables RS-366 as the dialing protocol. At this time, RS-366 is the only supported dialing protocol on the system.

### Feedback Examples

- v35dialingprotocol rs366  
returns  
v35dialingprotocol rs366
- v35dialingprotocol get  
returns  
v35dialingprotocol rs366

### Comments

Selecting a dialing protocol is not needed if you are using your DCE to dial the call or if you have a dedicated connection to the far site.

## v35num

Sets or gets the ISDN video numbers assigned to the system. This command is only applicable if you have a V.35 network interface connected to your system.

### Syntax

```
v35num get <1b1|1b2>
```

```
v35num set <1b1|1b2> ["v35 number"]
```

Parameter	Description
get	Returns the current ISDN video number associated with a B channel of a particular line. Requires <1b1 1b2>.
1b1 1b2	B1 and B2 channels: 1b1 designates line 1, B channel 1 (B1). 1b2 designates line 1, B channel 2 (B2).
set	Sets the ISDN video number for a B channel line when followed by a "v35 number" parameter. To erase the current setting, omit the "v35 number" parameter. 1b1 is port 1 and 1b2 is port 2. This parameter is not allowed while in a call.
"v35 number"	Numeric string. This is the ISDN video number(s) provided by your network service provider.

### Feedback Examples

- v35num set 1b1  
returns  
v35num 1b1 <empty>
- v35num set 1b2 7005551212  
returns  
v35num 1b2 7005551212
- v35num get 1b2  
returns  
v35num 1b2 7005551212

### Comments

The 1b1 and 1b2 parameters follow the convention and nomenclature of the user interface and the [isdnum](#) command on page [4-220](#).

## See Also

See the [isdnum](#) command on page 4-220.

## v35portsused

Sets or gets the number of ports to use on the V.35/RS-449/RS-530 network interface module.

### Syntax

v35portsused <get|1|1+2>

Parameter	Description
get	Returns the current setting.
1	Selects one port for one-channel calls.
1+2	Selects two ports for two-channel calls (2 x 56 kbps or 2 x 64 kbps).

### Feedback Examples

- v35portsused 1  
returns  
v35portsused 1
- v35portsused 1+2  
returns  
v35portsused 1+2
- v35portsused get  
returns  
v35portsused 1+2

## v35prefix

Sets or gets the V.35 dialing prefix. It assumes that a profile has already been selected.

### Syntax

```
v35prefix get "val id speed"
```

```
v35prefix set "val id speed" ["val ue"]
```

Parameter	Description
get	Returns the current setting for "val id speed".
set	Sets the V.35/RS-449/RS-530 prefix when followed by a "val ue" parameter. To erase the current setting, omit the "val ue" parameter.
"val id speed"	Valid speeds are 56, 64, 2x56, 112, 2x64, 128, 168, 192, 224, 256, 280, 320, 336, 384, 392, 7x64, 504, 512, 560, 576, 616, 640, 672, 704, 728, 768, 784, 832, 840, 14x64, 952, 960, 1008, 1024, 1064, 1088, 1120, 1152, 1176, 1216, 1232, 1280, 1288, 21x64, 1400, 1408, 1456, 1472, 1512, 1536, 1568, 1600, 1624, 1664, 1680, 1728, 28x64, 1856, 1920, all.  The parameter "al l" lists all the available speeds and their associated dialing prefixes.
"val ue"	V.35/RS-449/RS-530 prefix, which is a function of your DCE. Consult the DCE user guide for information.

### Feedback Examples

- v35prefix set 56  
returns  
v35prefix 56 <empty>
- v35prefix set 112 "#005"  
returns  
v35prefix 112 "#005"  
and associates the dialing prefix 005 with the speed 112
- v35prefix get 112  
returns  
v35prefix 112 "#005"

### See Also

See the [v35profile](#) command on page 4-458.

## v35profile

Sets or gets a V.35 profile associated with dialing through a DCE. It can also display all the settings (speed, prefix or suffix) of the current profile.

### Syntax

```
v35profile
<get|adtran|adtran_isu512|ascend|ascend_vsx|ascend_max|avaya_mcu|
u|
custom_1|fvc.com|initia|luent_mcu|madge_tel eos>
```

Parameter	Description
get	Returns the current profile.
adtran adtran_isu512 ascend ascend_vsx ascend_max avaya_mcu custom_1 fvc.com initia luent_mcu madge_tel eos	V.35/RS-449/RS-530 profile (equipment/manufacture) available. Consult your DCE user guide for additional information on setting dialing profiles.

### Feedback Examples

- v35profile adtran\_isu512  
returns  
v35profile adtran\_isu512  
selects adtran\_isu512 as the profile
- v35profile get  
returns  
v35profile adtran\_isu512



## v35suffix

Sets or gets the V.35 dialing suffix. It assumes that a profile has already been selected.

### Syntax

```
v35suffix get "valid speed"
```

```
v35suffix set "valid speed" ["value"]
```

Parameter	Description
get	Returns the current setting for valid speed.
set	Sets the dialing suffix when followed by a "value" parameter. To erase the current setting, omit the "value" parameter.
"valid speed"	Valid speeds are 56, 64, 2x56, 112, 2x64, 128, 168, 192, 224, 256, 280, 320, 336, 384, 392, 7x64, 504, 512, 560, 576, 616, 640, 672, 704, 728, 768, 784, 832, 840, 14x64, 952, 960, 1008, 1024, 1064, 1088, 1120, 1152, 1176, 1216, 1232, 1280, 1288, 21x64, 1400, 1408, 1456, 1472, 1512, 1536, 1568, 1600, 1624, 1664, 1680, 1728, 28x64, 1856, 1920, all.  The parameter "all" lists all the available speeds and their associated dialing prefixes.
"value"	The dialing suffix, which is a function of your DCE. Consult the DCE user guide for information.

### Feedback Examples

- v35suffix set 128  
returns  
v35suffix 128 <empty>
- v35suffix set 128 "#4#2"  
returns  
v35suffix 128 #4#2  
and associates the dialing suffix #4#2 with the speed 128
- v35suffix get 128  
returns  
v35suffix 128 #4#2

### See Also

See the [v35profile](#) command on page 4-458.

## validateacctnum

Sets or gets the validation for the Global Management System account number that is used when dialing out.

### Syntax

```
val i dateacctnum <get|yes|no>
```

Parameter	Description
get	Returns the current setting.
yes	Enables the Global Management System account number validation option.
no	Disables the Global Management System account number validation option.

### Feedback Examples

- val i dateacctnum yes  
returns  
val i dateacctnum yes
- val i dateacctnum no  
returns  
val i dateacctnum no
- val i dateacctnum get  
returns  
val i dateacctnum no

### Comments

When the call connects, the system verifies that the account exists with the Global Management System server. If the account does not exist, the call is disconnected.

This option is only available if **Required Account Number to Dial** is enabled.

## vcbutton

Controls a content video source. It can also register or unregister the API session to receive notification of content events.

### Syntax

```
vcbutton play {2..5}
vcbutton <get|stop|register|unregister>
vcbutton map <get|{2..5}>
vcbutton source get
```

Parameter	Description
play	Starts sending the content from the specified content video source. If no content video source is specified, starts sending content from the default content video source. Starts content from any content video source without the need to change source mapping and without needing to stop the currently playing content video source. Fails and does not stop the current content video source if the specified content video source is not valid. Stops the current content video source if the specified content video source is valid but is currently unavailable.
{2..5}	Specifies a content video source.
get	Returns the current setting (play or stop).
stop	Stops sending content from the content video source that is currently playing.
register	Registers the API session to receive notifications about content events.
unregister	Unregisters the API session to receive notifications about content events.
map get	Gets the content video source currently specified for control.
map {2..5}	Specifies the content video source to control. Note: This parameter is only necessary if no video source was specified when using the vcbutton play command.
source get	Gets the content video source that is currently playing.

## Feedback Examples

If not registered for notifications:

- vbutton play 4  
returns  
vbutton play 4  
vbutton play succeeded  
camera near 4

If registered for notifications:

- vbutton play 4  
returns  
Control event: vbutton play  
Control event: vbutton source 4  
Control event: vbutton play  
vbutton play 4  
vbutton play succeeded  
camera near 4
- vbutton play 5  
returns  
vbutton play failed
- vbutton play  
returns  
Control event: vbutton play  
vbutton play succeeded
- vbutton play  
returns  
vbutton play failed
- vbutton play 2  
returns  
error: input 2 is not a content source  
vbutton play failed
- vbutton play 7  
returns  
error: invalid value! (valid ranges 2..6)  
vbutton play failed
- vbutton register  
returns  
vbutton registered
- vbutton stop  
returns  
Control event: vbutton stop  
Camera near none  
vbutton stop  
vbutton stop succeeded

- `vcbutton get`  
returns  
`vcbutton stop`  
`vcbutton get succeeded`
- `vcbutton source get`  
returns  
`vcbutton source get 1`  
`vcbutton source get succeeded`
- `vcbutton source get`  
returns  
`vcbutton source get none`  
`vcbutton source get succeeded`

Polycom recommends registering for notifications. If `vcbutton register` is used for notifications, the following responses occur.

- Pressing the play button at the far site  
returns  
Control event: `vcbutton farplay`
- Pressing the stop button on the local system  
returns  
Control event: `vcbutton stop`

### Comments

The `vcbutton stop` command is global in Polycom HDX software version 2.0 or later. Previously, this command was specific to the content video source to which it was mapped.

## vcraudioout

Enables, disables, or gets the **VCR Audio Out Always On** setting.

### Syntax

vcraudioout <get|yes|no>

Parameter	Description
get	Returns the current setting.
yes	Enables VCR Audio Out Always On.
no	Disables VCR Audio Out Always On.

### Feedback Examples

- vcraudioout yes  
returns  
vcraudioout yes
- vcraudioout no  
returns  
vcraudioout no
- vcraudioout get  
returns  
vcraudioout no

## vcrrecordsource

Sets or gets the VCR/DVD record source.

### Syntax

```
vcrrecordsource get
vcrrecordsource <near|far|auto|content|content-or-near|
content-or-far|content-or-auto|none>
```

Parameter	Description
get	Returns the current setting.
near	Sets the VCR to record the near-site video source.
far	Sets the VCR to record the far-site video source.
auto	Sets the VCR to automatically record the current speaker in a point-to-point call.
content	Sets the VCR to record content, when presented.
content-or-near	Sets the VCR to record near-site video or content, when presented.
content-or-far	Sets the VCR to record far-site video or content, when presented.
content-or-auto	Sets the VCR to record the current speaker or content, when presented.
none	Sets the VCR to record nothing.

### Feedback Examples

- vcrrecordsource near  
returns  
vcrrecordsource near
- vcrrecordsource content-or-auto  
returns  
vcrrecordsource content-or-auto
- vcrrecordsource get  
returns  
vcrrecordsource content-or-auto

## version

Returns the current system's version information.

### Syntax

versi on

### Feedback Examples

- versi on  
returns  
versi on "rel ease 2.5 - 30Nov2008 11:30"



## vgaqualitypreference

Sets or gets the bandwidth split for people and content video.

### Syntax

```
vgaqualitypreference get
vgaqualitypreference <content|people|both>
```

Parameter	Description
get	Returns the current setting.
content	Sets the VGA quality preference to content video.
people	Sets the VGA quality preference to people video.
both	Sets the VGA quality preference to both people and content video.

### Feedback Examples

- ```
vgaqualitypreference people
returns
vgaqualitypreference people
```
- ```
vgaqualitypreference content
returns
vgaqualitypreference content
```
- ```
vgaqualitypreference both
returns
vgaqualitypreference both
```
- ```
vgaqualitypreference get
returns
vgaqualitypreference both
```

## videocallorder

Sets the video call order of the specified protocol to the specified slot.

### Syntax

```
vi deocal l order <i sdn|h323|si p|gateway323> <1|2|3|4>
```

Parameter	Description
i sdn	Specifies ISDN protocol.
h323	Specifies IP protocol.
si p	Specifies SIP protocol.
gateway323	Specifies H.323 gateway calling.
1 2 3 4	Sets the order in which the specified protocol is attempted when a video call is placed.

### Feedback Examples

- vi deocal l order h323 1  
returns  
vi deocal l order h323 1
- vi deocal l order i sdn 2  
returns  
vi deocal l order i sdn 2

### See Also

To set the dialing order for audio-only protocols, use the [voicecallorder](#) command on page 4-469.

## voicecallorder

Sets the voice call order of the specified protocol to the specified slot.

### Syntax

```
voicecallorder <i sdn_phone|pots> <1|2>
```

Parameter	Description
i sdn_phone	Specifies ISDN phone line.
pots	Specifies analog phone line.
1 2	Sets the order in which the specified method is attempted when a voice call is placed. Positions 1-2 are relative and are shown as 3-4 in the user interface if video protocols are enabled.

### Feedback Examples

- `voicecallorder pots 1`  
returns  
`voicecallorder pots 1`
- `voicecallorder i sdn_phone 1`  
returns  
`voicecallorder i sdn_phone 1`

### See Also

To set the dialing order for video protocols, use the [videocallorder](#) command on page [4-468](#).

## volume

Sets or gets the call audio volume (not sound effects) on the system or registration for volume changes.

### Syntax

```
volume <register|unregister>
volume <get|up|down|set {0..50}>
volume range
```

Parameter	Description
register	Registers to receive notification when the volume changes.
unregister	Disables register mode.
get	Returns the current volume level.
up	Increases the audio volume by 1.
down	Decreases the audio volume by 1.
set	Sets the volume to a specified level. Requires a volume setting from {0..50}.
range	Returns the valid volume range available to the user.

### Feedback Examples

- ```
volume register
returns
volume registered
```
- ```
If entered again,
volume register
returns
info: event/notification al ready active: volume
```
- ```
volume set 23
returns
volume 23
```
- ```
volume up
returns
volume 24
```
- ```
volume get
returns
volume 24
```

Comments

Changes the call audio volume (not sound effects) on the system.

vortex

Sends commands to a Polycom Vortex mixer.

Syntax

```
vortex <0|1> mute <on|off>
vortex <0|1> forward "vortex_macro"
```

| Parameter | Description |
|----------------|---|
| 0 1 | Specifies the serial port to which the Vortex mixer is connected. |
| mute | Sets the mute state for the Vortex mixer connected to the specified serial port. |
| on | Mutes the Vortex mixer. |
| off | Unmutes the Vortex mixer. |
| forward | Forwards the vortex_macro to the Vortex mixer connected to the specified serial port. |
| "vortex_macro" | Specifies the Vortex mixer macro command to send. For more information about these commands, refer to the Vortex documentation. |

Feedback Examples

The response from the Vortex is returned in the following format:
vortex <portnum> forward <vortexcmd>: <vortexresponse>

- vortex 0 forward FOOPI NG
 returns
 vortex 0 forward FOOPI NG: FOOPONG
 if the Vortex responds and
 vortex 0 forward FOOPI NG: fai led
 if the Vortex does not respond
- vortex 1 mute on
 returns
 vortex 1 mute on
 and mutes the Vortex connected to the second serial port on the back of the system

Comments

The Vortex commands are applicable when you have a Vortex mixer connected to a system. An API client can send these commands to control a Vortex mixer using the command format:

```
vortex <portnum> forward <vortexcmd>
```

where <portnum> is 0 if the Vortex is connected to the first serial port or 1 if the Vortex is connected to the second serial port, and <vortexcmd> is a Vortex-specific command. Whatever value is passed in this parameter will be sent to the Vortex.

waitfor

This command is used within script files or control panel programs to wait for a specific event before executing the next statement. It causes the API session to wait until a call being placed either connects or fails, or until system is ready to place a call (such as after a reboot waiting for the ISDN lines to come up).

Syntax

```
waitfor <callcomplete|systemready>
```

| Parameter | Description |
|--------------|--|
| callcomplete | Causes the API session to wait until a call being placed either connects or fails. |
| systemready | Causes the system to return the message "system is ready" when the system is ready to make a call. |

Feedback Examples

- ```
waitfor callcomplete
returns
waiting for call complete
and returns
call is complete
when the call either connects or fails
```
- ```
waitfor systemready
returns
waiting for system ready
and returns
system is ready
when the system is ready to make a call
```

Comments

This command can be used to synchronize a remote controller with the system. The API session echoes the message "call complete" when the call connects or is aborted.

wake

Wakes the system from sleep mode.

Syntax

wake

Feedback Examples

- wake
returns
wake
and wakes the system from sleep mode

See Also

To put the system in sleep mode, use the [sleep](#) command on page [4-319](#).

wanipaddress

Sets or gets the WAN IP address.

Syntax

```
wani paddress get  
wani paddress set ["xxx.xxx.xxx.xxx"]
```

| Parameter | Description |
|-------------------|---|
| set | Sets the WAN IP address when followed by the "xxx.xxx.xxx.xxx" parameter. To erase the current setting, omit the "xxx.xxx.xxx.xxx" parameter. |
| get | Returns the WAN IP address. |
| "xxx.xxx.xxx.xxx" | WAN IP address. |

Feedback Examples

- wani paddress set 192.168.1.101
returns
wani paddress 192.168.1.101
- wani paddress get
returns
wani paddress 192.168.1.101

Comments

The **NAT Configuration** option on the Firewall screen must be set to **Auto**, **Manual**, or **UPnP** for this option to be available.

webmonitoring

Enables or disables the ability to view video from a Polycom HDX system via the web interface. This command is available in serial API sessions only.

Syntax

```
webmonitoring "remoteaccesspasswd" <yes|no>
```

| Parameter | Description |
|----------------------|---|
| "remoteaccesspasswd" | Current remote access password. |
| yes | Allows Polycom HDX video to be viewed via the web interface. |
| no | Disables Polycom HDX video from being viewed via the web interface. |

Feedback Examples

- webmonitoring "1234" yes
returns
webmonitoring yes
- webmonitoring "1234" no
returns
webmonitoring no

Comments

The webmonitoring setting can be controlled by a provisioning server. For this reason, provisioned systems do not allow modification to the webmonitoring setting.

webmonitoring has no 'get' operation. Use the [remotemonenable](#) command on page [4-299](#) instead.

If the system has no remote access password, enter a pair of single quotes (") to denote an empty password.

webport

Sets or gets the port to use when accessing the system using the web interface.

Syntax

```
webport get  
webport set "port"
```

| Parameter | Description |
|-----------|-------------------------------------|
| get | Returns the current setting. |
| set | Sets the web access port to "port". |

Feedback Examples

- webport set 80
returns
webaccessport 80
- webport get
returns
webaccessport 80

Comments

If you change this from the default (port 80), you will need to include the port number with the IP address when you use the web interface to access the system. This makes unauthorized access more difficult. After making a change, you must restart the system for the setting to take effect.

whitelisted

Enables or disables the ability to restrict a Polycom HDX system's access to only those systems with IP addresses that match one of the addresses or patterns specified in the whitelist.

Syntax

```
whitelisted get
whitelisted <yes|no>
```

| Parameter | Description |
|-----------|--|
| get | Returns the current setting. |
| yes | Allows the Polycom HDX system to access only those systems with IP addresses that match one of the addresses or patterns specified in the whitelist. |
| no | Allows the Polycom HDX system to access systems with IP addresses that are not specified in the whitelist. |

Feedback Examples

- whitelisted get
returns
whitelisted no
- whitelisted yes
returns
whitelisted yes

Comments

The system will restart when the whitelisted setting is modified.

whoami

Displays the same initial banner information as when the RS-232/Telnet session was started with the system.

Syntax

whoami

Feedback Examples

- whoami
returns
Hi , my name is: Polycom HDX Demo
Here is what I know about myself:
Model : HDX9004
Serial Number: 82065205E72EC1
Software Version: 2.5
Build Information: root on domain.polycom.com
Contact Number: <empty>
Time In Last Call: 0:43:50
Total Time In Calls: 87:17:17
Total Calls: 819
SNTP Time Service: auto insync ntp1.polycom.com
Local Time is: Wed, 30 Nov 2008 10:41:46
Network Interface: NONE
IP Video Number: 192.168.1.101
Link-Local Address: fe80::2e0:dbff:fe07:2173/64
ISDN Video Number: 7005551212
MP Enabled: AB1C-2D34-5EF6-7890-GHI1
H323 Enabled: True
H320 Enabled: False
HTTP Enabled: True
SNMP Enabled: True

Comments

The response can vary depending on your system configuration.

Room Design and Layout

Reprinted from the Basics of Audio and Visual Systems Design: Revised Edition, Chapter 12, "Videoconferencing" written by Scott Sharer, CTS, and Jim Smith, CVE, CTS, copyright 2003, with permission of InfoComm International®
www.infocomm.org

For clarity of discussion, we have divided this section into the following sub-sections:

- Room construction, including wall construction, windows and window treatments, ceilings and HVAC;
- Interior design and finishes;
- Furniture design, including placement and layout;
- Room acoustics and acoustic treatment; and
- Room lighting.

The initial layout and construction of the space affects all the elements that are discussed in other sections of this book [*Basics of Audio and Visual Systems Design*], including acoustic characteristics and performance, general and ambient light control, and overall comfort.

Room Requirements

We begin with general room requirements. The total floor space required for VC is much greater than we have become used to for general local presentation and meeting. In architectural terms it is not uncommon to find a rule-of-thumb applied that allows for up to 15 square feet of floor space per participant in a traditional presentation or meeting room. If there is a front-of-room presenter position at a podium, and if there is some use of in-room technology (projection devices, whiteboards, etc.), then this figure may increase to as much as 20 square feet of floor space per participant, but rarely any more than that.

It is here that we have our first conflict. In videoconferencing we have to consider not only the issues related to local viewing and hearing but also the issues of being seen and heard by people at the far-end of the connection. This

means that we must consider sight lines and angles of participant interaction that go beyond traditional presentation environments. As a rule we should allow not less than 30 square feet and generally not more than 45 square feet of floor space per participant in a videoconference space. Though two to three times what we are used to allowing, this amount ensures that local participants will see one another and the display of local and remote electronic images. It also ensures that participants at the far-end will see and hear everyone arriving at their location via the connection, and that all will see and hear at a level of quality that does not detract and, in the best deployment, even enhances the communications.

Having determined the required size of the space, we can move on to the actual renovation or construction of the space itself. Again the requirements here are generally less forgiving than those applied in local-only meeting spaces. In the most basic sense this is because, by sheer definition, at least some of the participants in a conference-based meeting are not actually in the room. As such, we cannot count on the typical human mechanisms (the human ears and brain and our ability to locate sound in three-dimensional space) to manage any acoustic anomalies.

If we are, for example, in a room that is adjacent to a double-door entry to the building, then knowing this we can take the inevitable doorway noise into account as we filter the sounds we hear both inside the meeting room and coming from that adjacent entryway. Within our own physical and local environment we have the ability to isolate local unwanted noise from local "sound of interest" (voices of other people, etc.), and place the unwanted noise in an inferior position in our conscious thought pattern. We are able to do this because we know where the noise is coming from and (usually) what is causing it. We may be annoyed by the noise, but we generally are able to ignore it. As soon as we add conferencing to the meeting equation, however, we add the element of electronic pickup and reproduction of all sounds. For the people at the far-end, the unwanted noise is much more difficult (if not impossible) to ignore. They do not have the ability to isolate it in three-dimensional space (the microphones eliminate the spatial reference) and they often do not know what is making the noise. The brain of the far-end participant will devote more and more conscious observation and thought energy to trying to work out these elements, in an attempt to isolate and finally "ignore" the unwanted sound. We have already stated that they cannot do this, however, due to the electronic separation between the locations. Thus they are left with an impossible task that takes up more and more thought energy, eroding the perceived quality of the spoken communication over time. Frustration and exasperation quickly set in, and the communication flow quickly falls apart.

This, then, is one reason we must pay even greater attention to the acoustic and visual issues for any presentation space that will be connected via conference to another. Minor, seemingly insignificant anomalies we often ignore in the local environment become significant impediments to smooth communication with people at the far-end of any connection. In short, we must always ask ourselves, "What does this look like and sound like to the people at the far-end?"

In order to guarantee that the final conference environment will have a solid foundation, we begin with the construction of the walls, floors and ceilings for videoconference spaces.

Walls

Conference room walls should be built from slab to slab. That is, there should be no gaps from the concrete of one floor to the concrete of the next floor. Resilient, gypsum board mountings should be used to close any gaps. The thickness of the gypsum board should be 5/8" or more (one layer of 5/8" and one layer of 1/2" bonded together would be ideal) on the inside of the room, with 1/2" thick (or as required by local building codes) appropriate for the outside of the walls. There should always be a difference in thickness between the materials used on the inner versus the outer walls. That difference in thickness subdues mechanical coupling (vibration) between the two layers. A good overall wall thickness is 6". It is recommended that "offset stud" construction be used, typically a 6" header and footer with 3.5" verticals attached in an alternating pattern one toward the outside of the footer, the next toward the inside and so on.

Fiberglass dense batting or mineral rock wool, 4" to 6" thick (the equivalent of R-11 to R-13) should be placed in the wall space. The thickness of the batting is not critical. The critical aspect is that it must be loosely placed in the wall space, not compacted to fit. The resultant wall will have excellent acoustic isolation from the outside world. More significant acoustic isolation can be achieved by placing an additional barrier layer within the wall space. Typically this barrier will be made of a dense polymer material, about 1/8" thick, and the improvement regarding loss of sound transmitted through the wall will be roughly a factor of 10. These materials are available from a variety of manufacturers.

Windows

Windows usually present the equivalent of an acoustic nightmare (as well as altering the way a camera renders colors and brightness). They not only transmit room sound, but also allow unwanted outside noise to intrude on the conference space. In the event that windows cannot be avoided, it becomes essential that window treatment of some sort be used. This treatment should match the interior look and feel of the space, while providing a high level of sound and light block. Typically a heavyweight drape (24 ounces or more) of heavy fullness (not less than 6" fullness on not less than 8" centers per fold) is preferred. In all cases, the use of sheer draperies or standard vertical or horizontal blinds should be avoided, due to their inherent inefficiency in blocking sound and light, and the fine lines they create within the camera field of view.

Ceiling Tiles

These should be high-quality acoustic tiles, ideally 1" - thick compressed densecore fiberglass. An added benefit of this kind of ceiling tile is that it works well with the indirect lighting as specified elsewhere in this section. To reduce any extraneous noise from leaving or entering the room via the ceiling space, the ceiling tiles can be blanketed completely from the plenum side, with a minimum of 6" - thick unfaced dense fiberglass batting or mineral rock wool, (the equivalent of R-15 to R-19). Here again, a barrier layer will improve the performance, but all local building codes must be followed for allowable materials in the various aspects of room acoustic modifications. To make entry and exit from the ceiling space easier, the blanket and barrier do not need to rest on the ceiling tiles, but may be suspended above it.

Air Conditioning

It is critical that all air-handling equipment (blowers, heat exchangers, solenoid valves, etc.) be located outside the physical meeting room space. This will prevent the noise burden associated with such equipment from affecting the participants of any meetings held in the room. Location of air-handling equipment within the ceiling space of a conference room often renders that room unusable for video or audio-only conferencing.

The air vents should be of open construction to eliminate "wind noise" while the system is running. These vents normally are specified as "low-velocity" diffusers. The number of air vents within the room should be sufficient to maintain a consistent temperature throughout the space. All HVAC ducts and diffusers should be oversized for the general application in the space, with minimum 2' diameter insulated flexible ducts and matching 2' noise dampening diffusers generally best. All ducts should be installed with gradual bends and curves rather than rigid 90-degree corners. This will minimize "thunder" sounds as the initial air pushes through the ductwork and into the room.

There should be a thermostat to control this specific room system independently of the rest of the building, and that control should be located within the room.

Important: Allow an additional 5,000 BTU of cooling capacity for a standard "roll-about" singlemonitor VC system with extended in-room peripherals (PC, document camera, scan converter, etc.) and a minimum of 10,000 BTU for a dual display multimedia presentation system with large screen displays. For the comfort of the participants, the room must accommodate these heat loads, plus the heat load of a room full of people, with minimal temperature rise.

Interior Design and Finishes

Wall colors within the field of view of the camera have a significant impact on the far-end perception of the room video quality. Certain colors are better suited to video rooms than others. The electronics and software of the videoconferencing system “builds” the images at the far-end from a gray/blue reference image. When there is a minimal difference between the room background and the reference image color, the codec has an easier time turning the image into numbers, with the result that the far-end will see a much higher quality video presentation. In general, light gray with just a touch of blue seems to work best. For rooms that have marginal lighting, slightly darker colors are quite useful.

In keeping with these color recommendations, the acoustic panels (discussed elsewhere in this section) should be ordered in light colors such as silver-gray, quartz or champagne for panels within the camera field of view. For aesthetics, however, panels may be alternated in color along the wall.

Furniture

As we have noted, VC rooms should be slightly on the large side for the typical number of attendees. The placement of furniture should present a natural rapport with the videoconference system, but shouldn't preclude the local interaction of conference participants. Doorways used for access to the space usually should be within the view of one of the camera presets to prevent the perception from the far-end that people could come into their meeting unseen. Doorways should not, however, be in constant, direct view of the camera system, as this may cause unwanted distractions and movement of people in the picture field.

Any tables within the conference environment should have a light top surface. Glossy tops should be avoided, as should strong colors or any bold wood grain. If glossy or saturated color surfaces are unavoidable, then proper lighting can help reduce (but not necessarily eliminate) their ill effects. The best table surface color is a flat satin finish, in neutral gray. In cases where the worst possible surfaces are present, the proper surface color effect can be achieved by using a table covering, put in place only when the room is being used for videoconferencing. This will, however, create problems related to the use of access ports in the tables or movement of end-user items across the surface.

Acoustics

Additional general elements related to the interior finish details for the space include acoustics. In terms of ambient noise level, the acoustic design goal for any conference-enabled room is at least NC-30 (NoiseCriteria-30). This level of specification dictates a very quiet space (somewhere around 40-dBC SPL).

ambient noise level). A room built to the description found elsewhere in this section will usually fall between NC-30 and NC-35. The actual NC value is not critical; what is important is that the room be built with the intent and care required to achieve the low noise rating. Typically in architectural design, a site evaluation and analysis are required to certify the noise performance of a given space. The quieter the room, the easier it is to hear others in the same room as well as be heard by others who are participating via conference connection to a far-end location (or locations).

Almost every conference room of medium to large size (larger than 12'x15') requires some level of acoustic treatment to provide good speech-rendering to other conference sites. The quality differences lie in the areas of intelligibility and consistency of loudness as presented to the far-end. While the people at the far-end may hear the sounds coming to them, it may be hard for them clearly to distinguish all of the vowels, consonants, inflections and nuances of actual human speech communication. (We all know that it is not simply what you say but how you say it—i.e., the inflections and intonations—that makes the difference in perceived meaning in human communications.)

Good audio practice dictates that the treated surfaces be composed of at least two nonparallel walls. And, as the VCS hardware is a potential source of distracting fan noises, the walls to be treated should include the wall immediately behind the VCS hardware, whenever this hardware is within the conference room proper. To help prevent meeting audio from leaking into adjoining hallways or offices, the walls along those areas also should be treated.

Approximately 50 percent of the wall area needs be covered with acoustic panels. The type recommended is 1" thick compressed, dense-core fiberglass, fabric-covered, or equivalent, with a SABIN (sound absorption index) value of 0.9 average. This specification is sometimes referred to as NRC (noise reduction coefficient). If reduction of sound passing through is required, then an additional barrier layer is laminated to the dense-core material, usually 3/8" thick fiber compression board. The barrier layer is placed against the existing wall material, then the acoustic absorption panels are placed on the interior-room side of that. The barrier panels will have a SABIN of 0.9, but will have an additional specification of an STC (sound transmission coefficient) of 20. STC is a measure of the amount of reduction in loudness of sound passing through the material. Having an STC rating of 20 means there is a factor of 10 reduction in the amount of sound passing through that material. A high-quality conference room wall usually has an STC of 60 or more—that is, less than 1/1,000 of the sound in the room leaks through the wall.

Room Lighting

The brightness of the lighting in a videoconference room plays an important role in determining the far-end view of the meeting. When there are low to moderate amounts of light—20fc to 35fc (footcandles), typical office lighting—the distance range of “in focus” objects (depth-of-field) usually is

only 2' or 3' from nearest in-focus to furthest in-focus. With bright light (70fc or more) the range of in-focus objects can more than double. Participants at the far-end will see more people in sharp focus, and the codec will have an easier time encoding the image.

Bright standard direct fluorescent lighting has the undesirable side effect of being harsh for the local participants. In addition, the direct down lighting casts significant "drop shadows." The result is undue stress among participants.

The best plan for videoconferencing is to use indirect lighting for 80 to 85 percent of the light, and evenly distributed direct lighting for the remaining 15 to 20 percent. The indirect light will help minimize shadows on the faces of the participants, and make the room more comfortable for viewing the far-end on the TV monitor. The direct light can be used to create backlight separation between foreground and background objects or surfaces.

There should be not less than 55fc and ideally as much as 75fc of light (770lux) on the faces of the participants in the facial field as viewed by the camera in the conference space. The light should be completely even across the field of measure or view, and of one consistent color temperature.

To best meet these requirements, indirect fluorescent lighting most often is recommended. This type of lighting works by using the upper walls and ceiling as diffuse reflectors for the light. The usual recommended color temperature for these is 3,000 to 3,800 degrees Kelvin. If there is a significant quantity of outdoor light entering the room, the lamps should be more than 5,500 degrees Kelvin.

Light Fixtures

The light fixtures generally recommended for indirect lighting are available from a number of manufacturers. They typically are three-tube, 8" oval indirect up-lights, though they may take the form of chandelier-style pendant lights, wall sconces, cove lights or flushmounted specialized troughs. Many manufacturers work closely with contractors and lighting designers to ensure that the correct light levels and shadow-free zones are designed into the room, especially when used for videoconferencing. Lamps for these fixtures are available in a variety of specified color temperatures from numerous manufacturers, including Sylvania, General Electric and Osram/Phillips. Indirect fixtures are available in a number of different designs or "looks," and can be purchased in configurations that will complement and not detract from the interior design of the space.

Lighting layout recommendations and determination of the number of fixtures needed are handled either by the architectural design firm or by submitting a complete floor plan, including reflected ceiling, walls and furniture placement, to fixture vendors. The vendors will analyze the plans and return a finished lighting layout to the customer, detailing the number of fixtures, placement and required wiring.

It is important to remember that the use of traditional meeting room downcans—even those that have color-corrected light sources—for any lighting in the field of view that may include human faces is to be avoided at all costs. These will result in extremely uneven fields of light, or pools, and heavy, unnatural shadows on the faces of the participants.

Room Preparation Conclusion

When we follow the above guidelines we dramatically improve the odds for success in the final deployment of live bi-directional conference-based human communications. An added benefit is that this approach dramatically enhances the effectiveness of the room as it operates for more traditional meetings and presentations. The environment is more comfortable and flexible, and less dependent on specialized electronics for “fixing” deficiencies in the environment.

Audio Elements

Once the space is prepared, we can focus on integration of the various audiovisual tools within the environment: audio, video and control.

Audio Input

The primary input device for the audio portion of any conference system is the microphone. Elsewhere in this book [*Basics of Audio and Visual Systems Design*] we have discussed how these devices operate within a given acoustic environment. We turn now to a short discussion of how these elements operate within a conference environment, where such factors as “three-to-one” rules and “critical distance” often are pushed to the limit or violated entirely.

When sound travels in a room, it follows “the inverse square law.” This means that the sound level heard at a microphone drops by a factor of four every time the distance doubles. Another important consideration in room audio design is the concept of “critical distance,” or the distance at which the loudness of the room background noise plus reverberation is less than one tenth of the loudness of voices getting to a particular microphone. (This definition is the result of research conducted by Don and Carolyn Davis. that is referenced in the chapter “Designing for Intelligibility” in the Handbook for Sound Engineers.¹)

1. Davis, Don and Carolyn. “Designing for Intelligibility” in Handbook for Sound Engineers: The New Audio Cyclopedia, ed. Glen Ballou (Indianapolis: Howard Sams & Co., 1991), 1279-1297.

As an example, we will work with a room having an ambient noise level of approximately 60dBA-SPL. A person speaking in a normal voice is 72dBA-SPL at about 2' distance. At 4' the loudness drops to approximately 66dBA-SPL. This already is farther than the critical distance criteria allow, given the ambient noise level. At 8' distance, a normal speaking voice is approximately 60dBA-SPL. Now the voice energy and the room background noise are about equal. For "send" audio systems in a room to work correctly, therefore, the room noise level would have to be below 40-45dBA-SPL at the microphones at all times. This gives us some measure by which we can begin to plan the microphone array within a space, including selection based on pickup pattern, sensitivity, noise rejection and signal-to-noise in relation to the ambient noise floor or level within the space. The good news is that a room designed and built as described in this section will provide an acoustic space where almost any properly configured and installed audio system can operate with very good results.

Perhaps the most difficult issue for any room designer or system planner is actual microphone placement within the space. Given the fact that many people view conference table space as sacred (to be used for papers, laptops, coffee cups and other end-user items), there often is a great deal of pressure to place the local microphones on the ceiling instead of on the table surface. But this approach must be taken with great caution. We have already seen the dramatic impact of changes in the distance between people (their mouths) and the microphone. Ceiling systems generally place microphones farther away from the participants' mouths, not closer; critical distance calculations may eliminate ceiling placement from consideration for this reason alone. In addition, the ceiling surface generally is one of the noisiest areas of the room. Proximity to HVAC ducts and vents, attachment of tiles and runners to building members that are prone to vibration and shaking, and proximity to noise from other spaces migrating through the plenum make this area one of the least desirable for placement of microphones. This doesn't, however, keep people from looking at this broad open surface as the best place for microphones, to "get them off the table."

If ceiling placement is chosen, the system planner must select the components with great care from a manufacturer that specializes in this type of audio voice reinforcement. The manufacturer must be skilled in live audio and capable of installing the components (that is, being both able and willing to locate microphones at precisely measured distances from speakers, and locating those speakers at precisely measured intervals from each other and from the walls) to extremely tight tolerances. The system provider must fully inform the endusers of the potential downside effects of this approach. In any event, simply mounting a standard tabletop microphone on the ceiling tiles or implementing this solution in an ambient noise environment of 45dBA-SPL or greater will all but guarantee costly failure. No amount of post-microphone processing will fix the problems.

Audio Output

For conference communication we do not really care about producing the thundering roar of jet aircraft engines, or other sounds reproduced on TV or in the movies. We are interested in reproducing the human voice. The tone, intonation, pitch and level of people speaking from the far-end should sound as much as possible like the sound they would make if they were speaking in the room. Given what has been covered in other sections of this book [*Basics of Audio and Visual Systems Design*], we will touch base here on a couple of simple, basic elements of the speaker technology we deploy in the conference room. These basics fall into three subcategories: direction, power and range/frequency response.

Direction

As human beings, we feel most comfortable when the voice we hear appears to come from the same direction as the image of the person speaking. This means that reliance on ceiling speakers alone is not an ideal practice when the system is used for videoconferencing. In many small and medium-sized systems, front-firing speakers alone can provide proper direction and adequate coverage. Larger rooms (greater than 12'x15') probably need both front-firing and side or top-fill speakers in order to maintain proper coverage at nominal power levels.

In planning systems for larger rooms, we need to take advantage of the HAAS effect. Basically stated, this is the human brain's interpretation of sound direction when the same sound arrives at the ear from two or more directions within a certain time period. We attribute the direction of the sound to the direction from which the sound is first perceived, even if it is mixed with that same sound arriving from a completely different direction, as long as the two (or more) instances of the sound are within about 30ms of one another. Since sound travels faster electronically than it travels through the open air we may need to add audio delay to the side firing or ceiling speaker arrays in order to keep the primary perceived point source as the front of room/front-firing speakers.

Power

Power is a function of loudspeaker efficiency and total available system power. Most speakers operate in a power range that is broader than the range in which they operate without distortion. For the purpose of conference communication, we are interested in sound that has little or no distortion. Sound that is reproduced accurately (with no distortion) will most accurately represent the voice of the people from the far-end (our primary goal). Accurate reproduction also will aid the echo-cancellation circuitry in the system, minimizing the amount of echo that the system sends back to the people at the far-end, and thereby increasing perceived ease of intelligibility and understanding. Remember that any distortions present in the playback audio system—whether harmonic, amplitude (gain compression) or temporal (time

delays)—will be recognized by the echo canceller as “new audio information,” and it will send those distortions to the far-end, perhaps wreaking havoc on the system audio quality. In short, speaker power should be matched to overall audio subsystem power. The speakers should provide adequate coverage and be able to present approximately 80 to 85dBA-SPL (continuous) at the local site with the system operating at nominal power utilization, and have a peak reserve of 15 to 20dB before distortion.

Range/Frequency Response

The human ear is able to hear sounds in a very wide range of frequencies (as low as 70Hz and as high as 12,000Hz). The human voice is able to produce sounds in a narrower range (100Hz to 8,000Hz). Most spoken communication occurs, however, in a range that is only 150Hz to about 6,000Hz. This means that we need to select speakers that operate with ideal performance in a fairly narrow range for human voice (as opposed to speakers used for music, that may have ranges of 20Hz to 20,000Hz). We must also be alert to the crossover characteristics of the speakers we select. Many coaxial and paraxial speakers have their crossover within the middle audio frequencies, thereby inducing potential distortion within the spoken frequency range and creating anomalies within the system that hinder voice communication.

Video Elements

As a general rule, any display used in a videoconferencing environment should be sized for the number of attendees, the physical distances involved and the type of material presented onscreen. The screen size should allow for clear and easy viewing at the various distances experienced within the room. A measure of required screen size that often is applied to projection technology is: no closer than 1.5 times the diagonal measure and no farther than 7 times that measure. Nobody should have to sit closer than 2 times the screen diagonal measure, nor farther than 8 times that measure.

Direct viewed tube-type displays (monitors) almost always are sharpest and brightest in a videoconferencing environment. “Retro-projector cabinet” displays (which look like largescreen TVs) are next in sharpness and brightness, and “front-screen” projectors come in last. Glare and uncontrolled ambient room lighting adversely affect the quality of the image most with front-screen projectors and least with direct view tubes. A very limited number of frontscreen projection systems have sufficient brightness and contrast to be useful in a properly lit videoconference room.

Video Projection for Use in Videoconference

Many installations make use of video projection devices. The most important thing to remember in the planning of video projection for a videoconference space is that front projection is vastly inferior to rear projection. Front projection systems are less expensive and easier to implement, but the conflicting interest between the camera and the projection display makes this form of display a very poor choice. Front projection setups operate best when the lighting in the room is dimmed or doused. When this is done, the videoconference cameras can no longer operate, since they require even, bright, color-corrected light. A direct conflict between these two technologies is clear. In the event that a rear projection room cannot be set aside, retro-projection units can be purchased from a number of manufacturers. These units normally are available in sizes ranging from 40" to 72" diagonal measure. To display high-quality video while maintaining optimum lighting for interactive video meetings will require a projector of the "light-valve" or DLP™ class.

Regardless of the exact type of projector selected and the exact nature of "front versus rear," there are certain essential rules for projector placement. The goal in projection is to get the image beam to aim directly into the audience's eyes. In Western cultures the average distance from the floor to a seated person's eye is 4'. That distance becomes the target for the direct beam of the projector. Again keep in mind that front projection should be avoided except in the most extreme cases. If it is employed at all it must be used with an extremely bright projector (2,500 lumens or greater for any space smaller than 25'x40').

Cameras

There usually is a "main" or "local people" camera positioned on top center of the display, so that it can "see" the participants and anything necessary at the sides of the room, using pan and tilt features. If individual presentations may be made from the side or "front of audience" area of the room, an additional camera should be located at the back of the room, also mounted to allow a view of the presenters when necessary. Some cameras contain an active camera pointing system that also can be used effectively, given proper care in the mounting of the camera assembly. The area immediately surrounding the camera assembly needs to be acoustically "dead" to ensure that the voice tracking and pointing algorithms work correctly. This is another reason to pay close attention to the acoustic environment and acoustic treatment of any space intended for use with this type of camera system.

If local presentation is blended with VC for any events, we must consider the needs of the presenter who will not be "facing" the local image or inbound image displays used by the main body of the local audience. One or two monitors (and a camera) should be mounted at the back of the "audience-end" of the room, with the horizontal centerline at approximately 5' from the floor for ease of presentation interaction between the presenter and the group(s) at the far end(s). Remember that, with the exception of PC-based information that is not in a standard composite narrowband video format, any information we

wish to “show” or “view” must be translated to video, most often with some sort of camera mechanism. Document cameras, 35mm slide-to-video units, video scanners and scan conversion devices all are designed to take one format of source material and convert it to a standard video signal that can be digitized, shipped to the far-end(s), and converted back to composite video for display. Which devices are selected and how they are used depends entirely on the needs and goals of the end-users of the system(s) and the format of their source materials.

Room Control Elements

To give all participants the easiest use of the room for any and all presentation or conference purposes, a fully integrated room controller is recommended. It is important that one controller operate all devices in the room so that only one user interface needs to be learned by those managing the facility. The common controller also makes it much easier to expand and enhance room capabilities over time by adding or upgrading equipment. A proper room controller can operate and coordinate the use of lighting, curtains, displays, audio devices, VCRs and slide projectors, as well as all the conferencing equipment, including any network-related control needed. In lieu of a complete control system, a limited functionality controller can be located at the presentation interface panel to control the switching and routing of the computer graphics and configure the overhead camera video paths.

It is strongly advised that at least 20 percent of the time spent developing a videoconferencing room be devoted to this important sub-system, as it will complete the integration of the conference and presentation environment.

And remember that simpler is always better. People do not pay for technology. They pay for the benefits that technology can bring. The doorway to those benefits is a simple, straightforward and intuitive user control.

Status Messages

Status Display

The call status can be displayed in a number of ways. The [getcallstate](#) command on page 4-169 returns a table listing the status, speed, and dialed number of current calls.

To display real-time status on individual B channels (incoming or outgoing calls), either register the API session with the [callstate](#) command on page 4-66, or start an outbound call with the [dial](#) command on page 4-99. These two commands will cause the system to re-direct the B channel status messages to the session which has issued one of these two commands. For example, if the RS-232 device issues a `dial` command, then call status is directed to the RS-232 port; if a later session on a Telnet port issues a `dial` command, then call status is also directed to that Telnet port.

B Channel Status Message Example

The following output example is for B channel status messages, where:

| | |
|-----------|---|
| cs | Indicates call status for one B channel. |
| RINGING | Indicates a ring-in or ring-out and is equivalent to a 25% blue sphere on the graphical user interface. |
| CONNECTED | Is equivalent to a 50% yellow sphere. |
| BONDING | Indicates the bonding protocol is operational on the channel and is equivalent to a 75% orange sphere. |
| COMPLETE | Is equivalent to a 100% green sphere. |

Feedback Examples

- dial manual 384 5551212 ISDN
 returns
 Dialing manual
 Dialing 5551212 384 none ISDN
 cs: call[0] chan[0] dial str[95551212] state[RINGING]
 cs: call[0] chan[0] dial str[95551212] state[CONNECTED]
 cs: call[0] chan[0] dial str[95551212] state[BONDING]
 cs: call[0] chan[0] dial str[95551212] state[COMPLETE]
 cs: call[0] chan[1] dial str[95551212] state[RINGING]
 cs: call[0] chan[1] dial str[95551212] state[CONNECTED]
 cs: call[0] chan[2] dial str[95551212] state[RINGING]
 cs: call[0] chan[3] dial str[95551212] state[RINGING]
 cs: call[0] chan[2] dial str[95551212] state[CONNECTED]
 cs: call[0] chan[3] dial str[95551212] state[CONNECTED]
 cs: call[0] chan[4] dial str[95551212] state[RINGING]
 cs: call[0] chan[5] dial str[95551212] state[RINGING]
 cs: call[0] chan[4] dial str[95551212] state[CONNECTED]
 cs: call[0] chan[5] dial str[95551212] state[CONNECTED]
 cs: call[0] chan[1] dial str[95551212] state[BONDING]
 cs: call[0] chan[2] dial str[95551212] state[BONDING]
 cs: call[0] chan[3] dial str[95551212] state[BONDING]
 cs: call[0] chan[4] dial str[95551212] state[BONDING]
 cs: call[0] chan[5] dial str[95551212] state[BONDING]
 cs: call[0] chan[0] dial str[95551212] state[COMPLETE]
 cs: call[0] chan[1] dial str[95551212] state[COMPLETE]
 cs: call[0] chan[2] dial str[95551212] state[COMPLETE]
 cs: call[0] chan[3] dial str[95551212] state[COMPLETE]
 cs: call[0] chan[4] dial str[95551212] state[COMPLETE]
 cs: call[0] chan[5] dial str[95551212] state[COMPLETE]
 active: call[0] speed[384]
- hangup video 0
 returns
 hanging up video call
 cleared: call[0] line[1] bchan[0] cause[16]
 dial string[95551212]
 cleared: call[0] line[2] bchan[0] cause[16]
 dial string[95551212]
 cleared: call[0] line[0] bchan[0] cause[16]
 dial string[95551212]
 cleared: call[0] line[1] bchan[1] cause[16]
 dial string[95551212]
 cleared: call[0] line[2] bchan[1] cause[16]
 dial string[95551212]
 cleared: call[0] line[0] bchan[1] cause[16]
 dial string[95551212]
 ended call[0]

- listen video
returns
listen video registered

listen video ringing // there is an incoming call, auto answer is on

```
cs: call[0] chan[0] dialstr[7005551212] state[RINGING]
cs: call[0] chan[0] dialstr[7005551212] state[CONNECTED]
cs: call[0] chan[0] dialstr[7005551212] state[BONDING]
cs: call[0] chan[0] dialstr[7005551212] state[COMPLETE]
cs: call[0] chan[1] dialstr[7005551212] state[RINGING]
cs: call[0] chan[1] dialstr[7005551212] state[CONNECTED]
cs: call[0] chan[2] dialstr[7005551212] state[RINGING]
cs: call[0] chan[3] dialstr[7005551212] state[RINGING]
cs: call[0] chan[2] dialstr[7005551212] state[CONNECTED]
cs: call[0] chan[3] dialstr[7005551212] state[CONNECTED]
cs: call[0] chan[6] dialstr[7005551212] state[RINGING]
cs: call[0] chan[6] dialstr[7005551212] state[CONNECTED]
cs: call[0] chan[4] dialstr[7005551212] state[RINGING]
cs: call[0] chan[5] dialstr[7005551212] state[RINGING]
cs: call[0] chan[4] dialstr[7005551212] state[CONNECTED]
cs: call[0] chan[5] dialstr[7005551212] state[CONNECTED]
cs: call[0] chan[7] dialstr[7005551212] state[RINGING]
cs: call[0] chan[7] dialstr[7005551212] state[CONNECTED]
cs: call[0] chan[1] dialstr[7005551212] state[BONDING]
cs: call[0] chan[2] dialstr[7005551212] state[BONDING]
cs: call[0] chan[3] dialstr[7005551212] state[BONDING]
cs: call[0] chan[6] dialstr[7005551212] state[BONDING]
cs: call[0] chan[4] dialstr[7005551212] state[BONDING]
cs: call[0] chan[5] dialstr[7005551212] state[BONDING]
cs: call[0] chan[7] dialstr[7005551212] state[BONDING]
cs: call[0] chan[0] dialstr[7005551212] state[COMPLETE]
cs: call[0] chan[1] dialstr[7005551212] state[COMPLETE]
cs: call[0] chan[2] dialstr[7005551212] state[COMPLETE]
cs: call[0] chan[3] dialstr[7005551212] state[COMPLETE]
cs: call[0] chan[6] dialstr[7005551212] state[COMPLETE]
cs: call[0] chan[4] dialstr[7005551212] state[COMPLETE]
cs: call[0] chan[5] dialstr[7005551212] state[COMPLETE]
cs: call[0] chan[7] dialstr[7005551212] state[COMPLETE]
active: call[0] speed[512]
```


Polycom HDX 9000 Series Specifications

Back Panel Information

Refer to the Administrator's Guide for Polycom HDX Systems at www.polycom.com/videodocumentation for back panel views of Polycom HDX systems and for details about the various connections available on each Polycom HDX back panel connector.

Inputs/Outputs

Audio Specifications

| Characteristic | Value |
|---|--|
| Maximum Input Level
0 dBFS for Audio Input 4 | +12 dBV (4.0 V _{RMS}), ±1 dB |
| Maximum Input Level
0 dBFS for Audio Input 3 (VCR/DVD) | +12 dBV (4.0 V _{RMS}), ±1 dB |
| Maximum Input Level
0 dBFS for Audio Input 1 (External Input, Line Level) | +12 dBV (4.0 V _{RMS}), ±1 dB |
| Maximum Input Level
0 dBFS for Audio Input 1 (External Input, MIC Level)
Not supported on Polycom HDX 9006 systems. | -20 dBV, ±1 dB |
| Input Impedance
Audio Input 4 Differential | 20 k, ±5% Ohms |

| Characteristic | Value |
|--|---|
| Input Impedance
Audio Input 3 (VCR/DVD) Differential | 20 k, $\pm 5\%$ Ohms |
| Input Common-Mode Rejection Ratio
Balanced Inputs, Common-Mode
Amplitude ≥ 1 dBFS | >60 dB, 20 Hz to 22 kHz |
| Maximum Output Level
Balanced Outputs (≥ 10 k Load) | +12 dBV (4.0 V_{RMS}), ± 1 dB |
| Output Impedance
Balanced Outputs | 150, $\pm 5\%$ Ohms |
| Signal-to-Noise Ratio | >90 dB, A-weighted |
| Dynamic Range | >90 dB |
| Crosstalk and Feed-Through | ≤ 90 dB, 20 Hz to 22 kHz |
| Frequency Response
Balanced Inputs, Relative to 997 Hz | +0.5, -3 dB, 20 Hz to 50 Hz
± 1 dB, 50 Hz to 20 kHz
+0.5, -3 dB, 20 kHz to 22 kHz |
| Total Harmonic Distortion + Noise vs.
Frequency | |
| -1 dBFS Input Level | -80 dB, 20 Hz to 22 kHz |
| -20 dBFS Input Level | -70 dB, 20 Hz to 22 kHz |
| Phantom Power | |
| DC Voltage Level, Relative to Shield
Termination | +48 $V_{DC} \pm 4$ V |
| DC Operating Current | 10 mA |
| Fault Current | 16 mA |
| Source Impedance | 6.8 k, $\pm 1\%$ |
| Phantom Power is not supported on
Polycom HDX 9006 systems. | |

DTMF Dialing

The Polycom HDX 9000 series systems generate the following tip/ring signal levels:

- Low-frequency tone: -10.2 dBV, -8.0 dBm when AC termination of the line is 600 Ohms
- High-frequency tone: -8.2 dBV, -6.0 dBm when AC termination of the line is 600 Ohms

- The system seizes the line and waits 1.5 seconds. The number is then dialed with a 80 ms tone period followed by a 80 ms silence period for each digit.

Remote Control

This section provides information about the IR signals for Polycom HDX systems.



This information is provided for reference only. Polycom claims no responsibility or liability for programmed third-party remote control devices.

Notes

- Wake up – 2.6 ms on; 2.6 ms off
- 0–559 μ s (22 pulses at 38 KHz) on; 845 μ s (33 pulses at 38 KHz) off
- 1–845 μ s (33 pulses at 38 KHz) on; 1192 μ s (46 pulses at 38 KHz) off
- EOM–559 μ s (22 pulses at 38 KHz) on
- System Code consists of a User ID field (upper nibble) and the Polycom Vender Code (lower nibble) with value 0x5. The default User ID value is 0x3, so the default System Code value is 00110101 or 0x35.
- Parity is a 2-bit field consisting of a parity bit (b1) and a toggle bit (b0). Parity is even.
- Inter-burst timing is 2200 pulse times at 38.062 KHz or 57.8 ms
- 38.062 KHz signal is at 1/3 duty cycle to LED
- Multi-bit fields are transmitted most significant bit first
- Bits are labeled b0..bn, where b0 is the least significant bit

Protocol is: <Wake up> + <System Code> + <Key Code> + <Parity> + <EOM>

| Key Name | Key Code | Key Code | Parity |
|----------|----------|----------|--------|
| # | 1100 | 0CH | Even |
| * | 1011 | 0BH | Odd |
| 0 | 110000 | 30H | Even |
| 1 | 110001 | 31H | Odd |
| 2 | 110010 | 32H | Odd |

| Key Name | Key Code | Key Code | Parity |
|--------------|----------|----------|--------|
| 3 | 110011 | 33H | Even |
| 4 | 110100 | 34H | Odd |
| 5 | 110101 | 35H | Even |
| 6 | 110110 | 36H | Even |
| 7 | 110111 | 37H | Odd |
| 8 | 111000 | 38H | Odd |
| 9 | 111001 | 39H | Even |
| Auto | 11001 | 19H | Odd |
| Call | 100101 | 25H | Odd |
| Call/Hang Up | 11 | 03H | Even |
| Camera | 11110 | 1EH | Even |
| Colon | 101111 | 2FH | Odd |
| Delete | 100010 | 22H | Even |
| Dial String | 0 | 00H | Even |
| Directory | 11010 | 1AH | Odd |
| Dot | 100001 | 21H | Even |
| Down Arrow | 110 | 06H | Even |
| Far | 10001 | 11H | Even |
| Fast Forward | 101011 | 2BH | Even |
| Feet Down | 10110 | 16H | Odd |
| Feet Up | 11000 | 18H | Even |
| Hang Up | 100110 | 26H | Odd |
| Home | 11011 | 1BH | Even |
| Info (Help) | 10100 | 14H | Even |
| Keyboard | 100011 | 23H | Odd |
| Left Arrow | 1001 | 09H | Even |
| Low Battery | 10111 | 17H | Even |
| Menu (Back) | 10011 | 13H | Odd |
| Mute | 111010 | 3AH | Even |
| Near | 1111 | 0FH | Even |

| Key Name | Key Code | Key Code | Parity |
|-------------------|----------|----------|--------|
| Option | 101000 | 28H | Even |
| Pause | 101101 | 2DH | Even |
| PIP | 11101 | 1DH | Even |
| Play | 101001 | 29H | Odd |
| Power | 100111 | 27H | Even |
| Preset | 11111 | 1FH | Odd |
| Record | 101110 | 2EH | Even |
| Return | 111 | 07H | Odd |
| Rewind | 101100 | 2CH | Odd |
| Right Arrow | 1010 | 0AH | Even |
| Slides (Graphics) | 10010 | 12H | Even |
| Snapshot (Snap) | 10101 | 15H | Odd |
| Stop | 101010 | 2AH | Odd |
| Up Arrow | 101 | 05H | Even |
| Volume Down | 111100 | 3CH | Even |
| Volume Up | 111011 | 3BH | Odd |
| Zoom In | 1101 | 0DH | Odd |
| Zoom Out | 1110 | 0EH | Odd |

RS-232 Serial Interface

The RS-232 serial port is implemented by an FPGA-based UART (Universal Asynchronous Receiver/Transmitter) that supports the following values.

| Mode | Baud Rate | Parity | Stop Bits | Data Bits | Flow Control |
|-------------------------|--|--|----------------|-----------|-------------------|
| Control | 9600 (default), 14400, 19200, 38400, 57600, 115200 | None | 1 | 8 | Off |
| Camera PTZ | 9600 (default), 14400, 19200, 38400, 57600, 115200 | None (Sony), Even (Polycom EagleEye HD camera) | 1 | 8 | Off |
| Closed Caption | 9600 (default), 14400, 19200, 38400, 57600, 115200 | None | 1 | 8 | Off |
| Vortex Mixer | 9600 (default), 14400, 19200, 38400, 57600, 115200 | None | 1 | 8 | Off (default), On |
| Pass Thru | 9600 (default), 14400, 19200, 38400, 57600, 115200 | None (default), Even, Odd | 1 (default), 2 | 8 | Off (default), On |
| Polycom Annotation | 9600 | None | 1 | 8 | Off |
| Interactive Touch Board | 9600 | None | 1 | 8 | Off |

Secure RS-232 Interface API Permissions

You must log in with a password in order to start an RS-232 session if the system is configured with the Maximum Security Profile.

API Permissions Table

You can log in with either the Admin ID and Admin Remote Password or the User ID and User Remote Password of the Polycom HDX system. The available API commands depend on which type of ID you use to start the session, as shown in the following table.

| API Command | Parameter | User ID | Admin ID |
|-------------|-----------------------------------|---------|----------|
| ! | "string" | 3 | 3 |
| | 1...64 | 3 | 3 |
| addrbook | all | 3 | 3 |
| | batch {0..59} | 3 | 3 |
| | batch search "pattern" "count" | 3 | 3 |
| | batch define "start_no" "stop_no" | 3 | 3 |
| | letter {a..z} | 3 | 3 |
| | range "start_no" "stop_no" | 3 | 3 |
| | refresh | 3 | 3 |
| | refresh | 3 | 3 |
| | names | 3 | 3 |
| | <al l vi deo
phone> | 3 | 3 |

| API Command | Parameter | User ID | Admin ID |
|----------------|-----------------------|---------|----------|
| addrbook | size | 3 | 3 |
| | range_start | 3 | 3 |
| | range_end | 3 | 3 |
| | search | 3 | 3 |
| | search_pattern | 3 | 3 |
| | group | 3 | 3 |
| | group_name | 3 | 3 |
| | address | 3 | 3 |
| | sys_name | 3 | 3 |
| | sys_label | 3 | 3 |
| | type | 3 | 3 |
| | site_sys_name | 3 | 3 |
| | site_sys_label | 3 | 3 |
| | codec: <1..4> | 3 | 3 |
| | h323_spd | 3 | 3 |
| | h323_num | 3 | 3 |
| | h323_ext | 3 | 3 |
| | sip_spd | 3 | 3 |
| | sip_num | 3 | 3 |
| | xmpp_addr | 3 | 3 |
| | phone_num | 3 | 3 |
| | isdn_spd | 3 | 3 |
| | isdn_num | 3 | 3 |
| isdn_ext | 3 | 3 | |
| advnetstats | 0...n | 3 | 3 |
| alertusertone | get | 3 | 3 |
| | 1 2 3 4 | | 3 |
| alertvideotone | get | 3 | 3 |
| | 1 2 3 4 5 6 7 8 9 1 0 | | 3 |

| API Command | Parameter | User ID | Admin ID |
|-------------------------|---|---------|----------|
| all register | | | 3 |
| all unregister | | | 3 |
| allowabkchanges | get | 3 | 3 |
| | yes | | 3 |
| | no | | 3 |
| allowcamerapresetssetup | get | 3 | 3 |
| | yes | | 3 |
| | no | | 3 |
| alldialing | get | 3 | 3 |
| | yes | | 3 |
| | no | | 3 |
| allowmixedcalls | get | 3 | 3 |
| | yes | | 3 |
| | no | | 3 |
| allowusersetup | get | 3 | 3 |
| | yes | | 3 |
| | no | | 3 |
| amxdd | get | 3 | 3 |
| | on | | 3 |
| | off | | 3 |
| answer | video | 3 | 3 |
| | phone | 3 | 3 |
| areacode | get | 3 | 3 |
| | set "areacode" | | 3 |
| audiometer | <micleft micright lineinleft lineinright lineoutleft lineoutright contentinleft contentinright vcrinleft vcrinright vcroutright farendleft farendright off> | 3 | 3 |

| API Command | Parameter | User ID | Admin ID |
|--|--------------|---------|----------|
| audiotransmitlevel | get | 3 | 3 |
| | up | 3 | 3 |
| | down | 3 | 3 |
| | register | 3 | 3 |
| | unregister | 3 | 3 |
| | set | 3 | 3 |
| autoanswer | get | 3 | 3 |
| | yes | | 3 |
| | no | | 3 |
| | donotdisturb | | 3 |
| autoshowcontent | get | 3 | 3 |
| | | | 3 |
| | | | 3 |
| backlightcompensation | get | 3 | 3 |
| | yes | 3 | 3 |
| | no | 3 | 3 |
| basicmode | get | 3 | 3 |
| | on | | 3 |
| | off | | 3 |
| bri1enable
bri2enable
bri3enable
bri4enable | get | 3 | 3 |
| | yes | | 3 |
| | no | | 3 |
| briallenable | get | 3 | 3 |
| | yes | | 3 |
| | no | | 3 |

| API Command | Parameter | User ID | Admin ID |
|------------------|---|---------|----------|
| button | <# * 0 1 2 3 4 5 6 7 8 9 .> | 3 | 3 |
| | <down left right select up> | 3 | 3 |
| | <auto back call far graphics hangup near> | 3 | 3 |
| | <help mute volume+ volume- lowbattery zoom+ zoom-> | 3 | 3 |
| | <pickedup putdown> | 3 | 3 |
| | <camera delete directory home keyboard period pip preset> | 3 | 3 |
| | <info menu slides option> | 3 | 3 |
| | "valid_button" ["valid_button" ...] | 3 | 3 |
| | <mmstop mmplay mmpause mmrecord mmforward mmrewind> | 3 | 3 |
| calldetailreport | get | | 3 |
| | yes | | 3 |
| | no | | 3 |
| callinfo | all | 3 | 3 |
| | callid | 3 | 3 |
| callstate | get | 3 | 3 |
| | register | 3 | 3 |
| | unregister | 3 | 3 |
| callstats | | 3 | 3 |

| API Command | Parameter | User ID | Admin ID |
|-----------------|--|---------|----------|
| camera | near {1..6} | 3 | 3 |
| | far {1..5} | 3 | 3 |
| | <near far> move
<left right up down zoom+ zoom- stop> | 3 | 3 |
| | <near far> move <continuous discrete> | 3 | 3 |
| | <near far> source | 3 | 3 |
| | <near far> stop | 3 | 3 |
| | near <getposition setposition "x" "y" "z"> | 3 | 3 |
| | near ppcip | 3 | 3 |
| | for-people {2..5} | 3 | 3 |
| | for-content {2..5} | 3 | 3 |
| | list-content | 3 | 3 |
| | <register unregister> | 3 | 3 |
| | register get | 3 | 3 |
| | tracking statistics | 3 | 3 |
| | tracking <get on off> | 3 | 3 |
| cameradirection | get | 3 | 3 |
| | normal | 3 | 3 |
| | reversed | 3 | 3 |
| camerainput | <1..5> get | 3 | 3 |
| | <1 2 3> <s-video composite component> | 3 | 3 |
| | <4 5> <dvi vga> | 3 | 3 |

| API Command | Parameter | User ID | Admin ID |
|--------------------|--|---------|----------|
| chaircontrol | end_conf | 3 | 3 |
| | hangup_term "term_no" | 3 | 3 |
| | list | 3 | 3 |
| | rel_chair | 3 | 3 |
| | register | 3 | 3 |
| | unregister | 3 | 3 |
| | req_chair | 3 | 3 |
| | req_floor | 3 | 3 |
| | req_term_name "term_no" | 3 | 3 |
| | req_vas | 3 | 3 |
| | set_broadcaster "term_no" | 3 | 3 |
| | set_term_name "term_no" "term_name" | 3 | 3 |
| | stop_view | 3 | 3 |
| | view "term_no" | 3 | 3 |
| | view_broadcaster | 3 | 3 |
| clientvalidatepeer | get | | 3 |
| | yes | | 3 |
| | no | | 3 |
| cmdecho | on | 3 | 3 |
| | off | 3 | 3 |
| colorbar | on | 3 | 3 |
| | off | 3 | 3 |
| configdisplay | <monitor1 monitor2> get | 3 | 3 |
| | <monitor1 monitor2> <s_video composite vga dvi component> <4:3 16:9> [<720p 1080i 1080p> 50hz720p 60hz720p 50hz1080i 60hz1080i 50hz1080p 60 hz1080p>] | 3 | 3 |
| configparam | get | 3 | 3 |
| | set | 3 | 3 |

| API Command | Parameter | User ID | Admin ID |
|------------------------|--|---------|----------|
| configpresentation | get | 3 | 3 |
| | <monitor1 monitor2> get | 3 | 3 |
| | <monitor1 monitor2> <near far content near-or-far content-or-near content-or-far all none> | 3 | 3 |
| | monitor1 "value" monitor2 "value" | 3 | 3 |
| confirmdiradd | get | 3 | 3 |
| | yes | | 3 |
| | no | | 3 |
| confirmdirdel | get | 3 | 3 |
| | yes | | 3 |
| | no | | 3 |
| contentauto | get | 3 | 3 |
| | on | 3 | 3 |
| | off | 3 | 3 |
| contentsplash | get | | 3 |
| | yes | | 3 |
| | no | | 3 |
| contentvideoadjustment | normal | | 3 |
| | stretch | | 3 |
| | zoom | | 3 |
| | get | 3 | 3 |
| country | get | 3 | 3 |
| cts | get | 3 | 3 |
| | normal | | 3 |
| | inverted | | 3 |
| | ignore | | 3 |
| daylightsavings | get | 3 | 3 |
| | yes | | 3 |
| | no | | 3 |

| API Command | Parameter | User ID | Admin ID |
|--|--|---------|----------|
| dcd | normal | | 3 |
| | Inverted | | 3 |
| dcdfilter | get | 3 | 3 |
| | on | | 3 |
| | off | | 3 |
| defaultgateway | set "xxx.xxx.xxx.xxx" | | 3 |
| destunreachbletx | get | | 3 |
| | yes | | 3 |
| | no | | 3 |
| dhcp | get | 3 | 3 |
| | off | | 3 |
| | client | | 3 |
| dial | addressbook "addr book name" | 3 | 3 |
| | auto "speed" "dialstr" | 3 | 3 |
| | manual <56 64> "dialstr1" "dialstr2" [h320] | 3 | 3 |
| | manual "speed" "dialstr1" ["dialstr2"] [h323 h320 ip isdn sip] | 3 | 3 |
| | "dialstr", "dialstr1", "dialstr2" | 3 | 3 |
| | phone "dialstring" | 3 | 3 |
| | pots isdn_phone sip_speakerphone | 3 | 3 |
| dialchannels | get | 3 | 3 |
| | set | | 3 |
| | n | | 3 |
| diffservaudio, diffservfecc, diffservvideo | get | 3 | 3 |
| | set {0..63} | | 3 |
| directory | get | 3 | 3 |
| | yes | | 3 |
| | no | | 3 |
| display (deprecated) | call | | 3 |
| | whoami | | 3 |

| API Command | Parameter | User ID | Admin ID |
|------------------|-----------------------|---------|----------|
| displaygraphics | get | 3 | 3 |
| | yes | | 3 |
| | no | | 3 |
| displayipext | get | 3 | 3 |
| | yes | | 3 |
| | no | | 3 |
| displayparams | | | 3 |
| dns | get | | 3 |
| | {1..4} | | 3 |
| | set "xxx.xxx.xxx.xxx" | | 3 |
| dsr | get | 3 | 3 |
| | normal | | 3 |
| | inverted | | 3 |
| dsranswer | get | 3 | 3 |
| | on | | 3 |
| | off | | 3 |
| dtr | get | 3 | 3 |
| | normal | | 3 |
| | inverted | | 3 |
| | on | | 3 |
| dualmonitor | get | 3 | 3 |
| | yes | 3 | 3 |
| | no | 3 | 3 |
| dynamicbandwidth | get | 3 | 3 |
| | yes | | 3 |
| | no | | 3 |
| e164ext | get | 3 | 3 |
| | set | | 3 |
| | "e.164name" | | 3 |
| echo | "string" | | 3 |

| API Command | Parameter | User ID | Admin ID |
|------------------------------|------------------------|---------|----------|
| echocanceller | get | 3 | 3 |
| | yes | | 3 |
| | no | | 3 |
| echoreply | get | | 3 |
| | yes | | 3 |
| | no | | 3 |
| enablekeyboardnoisereduction | get | 3 | 3 |
| | yes | | 3 |
| | no | | 3 |
| enablelivemusicmode | get | 3 | 3 |
| | yes | | 3 |
| | no | | 3 |
| enablepvec | get | 3 | 3 |
| | yes | | 3 |
| | no | | 3 |
| enablersvp | get | 3 | 3 |
| | yes | | 3 |
| | no | | 3 |
| encryption | get | 3 | 3 |
| | yes | | 3 |
| | no | | 3 |
| | requiredvideocallsonly | | 3 |
| | requiredallcalls | | 3 |
| exit | | 3 | 3 |
| farcontrolnearcamera | get | 3 | 3 |
| | yes | | 3 |
| | no | | 3 |

| API Command | Parameter | User ID | Admin ID |
|--------------------|-----------------------------------|---------|----------|
| farnametimedisplay | get | 3 | 3 |
| | on | | 3 |
| | off | | 3 |
| | 15 30 60 120 | | 3 |
| flash | callid | 3 | 3 |
| | duration | 3 | 3 |
| gaddrbook | all | 3 | 3 |
| | batch {0..59} | 3 | 3 |
| | batch define "start_no" "stop_no" | 3 | 3 |
| | search "pattern" "count" | 3 | 3 |
| | letter {a..z} | 3 | 3 |
| | range "start_no" "stop_no" | 3 | 3 |
| | refresh | 3 | 3 |
| | group list | 3 | 3 |
| | size | 3 | 3 |
| | range_start | 3 | 3 |
| | range_end | 3 | 3 |
| | group | 3 | 3 |
| | group_name | 3 | 3 |
| | names search | 3 | 3 |
| | search_pattern | 3 | 3 |
| | address | 3 | 3 |
| | sys_id_string | 3 | 3 |
| | sys_id | 3 | 3 |
| | sys_name | 3 | 3 |
| | sys_label | 3 | 3 |
| | type | 3 | 3 |
| | phone_num | 3 | 3 |
| | h323_spd | 3 | 3 |
| h323_num | 3 | 3 | |

| API Command | Parameter | User ID | Admin ID |
|--------------------|-----------------------|---------|----------|
| gaddrobook | h323_ext | 3 | 3 |
| | si p_spd | 3 | 3 |
| | si p_num | 3 | 3 |
| | xmpp_addr | 3 | 3 |
| | i sdn_spd | 3 | 3 |
| | i sdn_num | 3 | 3 |
| | i sdn_ext | 3 | 3 |
| | group l i st | 3 | 3 |
| gatekeeperip | get | | 3 |
| | set "xxx.xxx.xxx.xxx" | | 3 |
| gatewayareacode | get | 3 | 3 |
| | set "areacode" | | 3 |
| gatewaycountrycode | get | 3 | 3 |
| | set "countrycode" | | 3 |
| gatewayext | get | 3 | 3 |
| | set "extension" | | 3 |
| gatewaynumber | get | 3 | 3 |
| | set "number" | | 3 |
| gatewaynumbertype | get | 3 | 3 |
| | did | | 3 |
| | number+extension | | 3 |
| gatewayprefix | get "valid speed" | 3 | 3 |
| | set "value" | | 3 |
| gatewaysetup | | 3 | 3 |
| gatewaysuffix | get "valid speed" | 3 | 3 |
| | set "value" | | 3 |
| gential | {0..9} | 3 | 3 |
| | # | 3 | 3 |
| | * | 3 | 3 |

| API Command | Parameter | User ID | Admin ID |
|------------------------|--|---------|----------|
| generatetone | on | 3 | 3 |
| | off | 3 | 3 |
| get screen | | 3 | 3 |
| getcallstate | | 3 | 3 |
| getconfiguredipaddress | | | 3 |
| h239enable | get | 3 | 3 |
| | yes | | 3 |
| | no | | 3 |
| h323name | get | 3 | 3 |
| | set "H.323name" | | 3 |
| h331audiomode | get | 3 | 3 |
| | g729 g728 g711u g711a g722-56 g722-48 g7221-16 g7221-24 g7221-32 siren14 siren14stereo | | 3 |
| | off | | 3 |
| h331dualstream | get | 3 | 3 |
| | on | | 3 |
| | off | | 3 |
| h331framerate | get | 3 | 3 |
| | 30 15 10 7.5 | | 3 |
| h331videofmt | get | 3 | 3 |
| | fcif | | 3 |
| h331videoprotocol | get | 3 | 3 |
| | h264 h263+ h263 h261 | | 3 |
| hangup | phone | 3 | 3 |
| | video | 3 | 3 |
| | all | 3 | 3 |
| history | | 3 | 3 |
| homequality | get | 3 | 3 |
| | yes | | 3 |
| | no | | 3 |

| API Command | Parameter | User ID | Admin ID |
|---|-----------------------------|---------|----------|
| homerecentcalls | get | 3 | 3 |
| | yes | | 3 |
| | no | | 3 |
| homesystem | get | 3 | 3 |
| | yes | | 3 |
| | no | | 3 |
| homesystemname | get | 3 | 3 |
| | yes | | 3 |
| | no | | 3 |
| hostname | get | 3 | 3 |
| | set "hostname" | | 3 |
| icmpoutpacketrates | get | | 3 |
| | set integer value | | 3 |
| ignoreredirect | get | | 3 |
| | yes | | 3 |
| | no | | 3 |
| incompleteterevocationcheck | get | | 3 |
| | yes | | 3 |
| | no | | 3 |
| ipaddress | get | 3 | 3 |
| | set "xxx.xxx.xxx.xxx" | | 3 |
| ipdialspeed | get "valid speed" | 3 | 3 |
| | set "valid speed" <on, off> | | 3 |
| ipisdninfo | get | 3 | 3 |
| | both | | 3 |
| | ip-only | | 3 |
| | isdn-only | | 3 |
| | none | | 3 |
| ipprecaudio, ipprecfecc,
ipprecvideo | get | 3 | 3 |
| | set | | 3 |

| API Command | Parameter | User ID | Admin ID |
|--------------------|---|---------|----------|
| ipstat | | | 3 |
| ipv6addrmode | get | | 3 |
| | client | | 3 |
| | manual | | 3 |
| | off | | 3 |
| ipv6defaultgateway | get | | 3 |
| | set <IPv6 default gateway> | | 3 |
| ipv6globaladdress | get | | 3 |
| | set <ipv6 global address> | | 3 |
| ipv6linklocal | get | | 3 |
| | set <ipv6 link local address> | | 3 |
| ipv6sitelocal | get | | 3 |
| | set <ipv6 site local address> | | 3 |
| isdnareacode | get | 3 | 3 |
| | set "area code" | | 3 |
| isdncountrycode | get | 3 | 3 |
| | set "country code" | | 3 |
| isdndialingprefix | get | 3 | 3 |
| | set "isdn prefix" | | 3 |
| isdndialspeed | get "valid speed" | 3 | 3 |
| | set "valid speed" <on, off> | | 3 |
| isdnum | get 1b1 1b2 2b1 2b2 3b1 3b2 4b1 4b2 | 3 | 3 |
| | set 1b1 1b2 2b1 2b2 3b1 3b2 4b1 4b2 | | 3 |
| isdnswitch | get | | 3 |
| | pt-to-pt_at&t_5_ess multipoint_at&t_5_ess ni-1 nortel_dms-100 standard_etsi_euro-isdn ts-031 ntt_ins-64 | | 3 |
| keypadaudioconf | get | 3 | 3 |
| | yes | 3 | 3 |
| | no | 3 | 3 |

| API Command | Parameter | User ID | Admin ID |
|---|---------------------------------------|----------|----------|
| language | get | 3 | 3 |
| | set | | 3 |
| lanport
Note: set is not allowed while in a call. | get | | 3 |
| | 10, 10hdx, 10fdx, 100, 100hdx, 100fdx | | 3 |
| ldapauthenticationtype | get | | 3 |
| | set | | 3 |
| | anonymous | | 3 |
| | basic | | 3 |
| | ntlm | | 3 |
| ldapbasedn | get | | 3 |
| | set "base dn" | | 3 |
| ldapbinddn | get | | 3 |
| | set "bind dn" | | 3 |
| ldapdirectory | get | 3 | 3 |
| | yes | | 3 |
| | no | | 3 |
| ldapntlm domain | get | | 3 |
| | set "domain" | | 3 |
| ldappassword | set <ntlm basic> ["password"] | disabled | disabled |
| ldapserveraddress | get | | 3 |
| | set "address" | | 3 |
| ldapserverport | get | | 3 |
| | set | | 3 |
| ldapsilenabled | get | | 3 |
| | set [on, off] | | 3 |
| ldapusername | get | | 3 |
| | set "user name" | | 3 |
| linestate | get | 3 | 3 |
| | register | 3 | 3 |
| | unregister | 3 | 3 |

| API Command | Parameter | User ID | Admin ID |
|------------------------------|-------------------|---------|----------|
| listen | video | 3 | 3 |
| | phone | 3 | 3 |
| | sleep | 3 | 3 |
| localdatetime | get | 3 | 3 |
| | yes | | 3 |
| | no | | 3 |
| loginwindowduration | get | | 3 |
| | set | | 3 |
| marqueedisplaytext | get | 3 | 3 |
| | set "text" | | 3 |
| maxgabinternationalcallspeed | get | 3 | 3 |
| | set "valid speed" | | 3 |
| maxgabinternetcallspeed | get | 3 | 3 |
| | set "valid speed" | | 3 |
| maxgabisdncallspeed | get | 3 | 3 |
| | set "valid speed" | | 3 |
| maxtimeincall | get | 3 | 3 |
| | set {0..999} | | 3 |
| mcupassword | "password" | 3 | 3 |
| meetingpassword | set "password" | 3 | 3 |
| monitor1screensaveroutput | get | 3 | 3 |
| | black | | 3 |
| | no_signal | | 3 |
| monitor2screensaveroutput | get | 3 | 3 |
| | black | | 3 |
| | no_signal | | 3 |
| mpautoanswer | get | 3 | 3 |
| | yes | | 3 |
| | no | | 3 |
| | donotdisturb | | 3 |

| API Command | Parameter | User ID | Admin ID |
|-------------------|---------------------------------|---------|----------|
| mpmode | get | 3 | 3 |
| | auto | 3 | 3 |
| | discussion | 3 | 3 |
| | presentation | 3 | 3 |
| | fullscreen | 3 | 3 |
| mtumode | get | 3 | 3 |
| | default | | 3 |
| | specify | | 3 |
| mtusize | get | 3 | 3 |
| | 660 780 900 1020 1140 1260 1500 | | 3 |
| mute | <register unregister> | 3 | 3 |
| | near <get on off toggle> | 3 | 3 |
| | far get | 3 | 3 |
| muteautoanswer | get | 3 | 3 |
| | yes | | 3 |
| | no | | 3 |
| natconfig | get | 3 | 3 |
| | auto | | 3 |
| | manual | | 3 |
| | off | | 3 |
| nath323compatible | get | 3 | 3 |
| | yes | | 3 |
| | set | | 3 |
| nearloop | on | 3 | 3 |
| | off | 3 | 3 |
| netstats | {0..n} | 3 | 3 |

| API Command | Parameter | User ID | Admin ID |
|--------------------|---------------------------------------|---------|----------|
| nonotify | callstatus | 3 | 3 |
| | captions | 3 | 3 |
| | linestatus | 3 | 3 |
| | mutestatus | 3 | 3 |
| | screenchanges | 3 | 3 |
| | sysstatus | 3 | 3 |
| | sysalerts | 3 | 3 |
| | vidsourcechanges | 3 | 3 |
| notify | notify | 3 | 3 |
| | callstatus | 3 | 3 |
| | captions | 3 | 3 |
| | linestatus | 3 | 3 |
| | mutestatus | 3 | 3 |
| | screenchanges | 3 | 3 |
| | sysstatus | 3 | 3 |
| | sysalerts | 3 | 3 |
| | vidsourcechanges | 3 | 3 |
| ntpmode | get | 3 | 3 |
| | auto | | 3 |
| | off | | 3 |
| | manual | | 3 |
| ntpsecondaryserver | get | | 3 |
| | set <"server name" "xxx.xxx.xxx.xxx"> | | 3 |
| ntpserver | get | | 3 |
| | set <"server name" "xxx.xxx.xxx.xxx"> | | 3 |
| numdigitsdid | get | 3 | 3 |
| | {0..24} | | 3 |
| numdigitsext | get | 3 | 3 |
| | {0..24} | | 3 |
| oobcomplete | | | 3 |

| API Command | Parameter | User ID | Admin ID |
|-----------------------|---|---------|----------|
| pause | {0..65535} | 3 | 3 |
| phone | clear | 3 | 3 |
| | flash | 3 | 3 |
| peoplevideoadjustment | normal | | 3 |
| | stretch | | 3 |
| | zoom | | 3 |
| | get | 3 | 3 |
| pip | <get on off camera swap register unregister location> | 3 | 3 |
| | location <get 0 1 2 3> | 3 | 3 |
| popupinfo | register | 3 | 3 |
| | unregister | 3 | 3 |
| | get | | 3 |
| preset | <register unregister> | 3 | 3 |
| | register get | 3 | 3 |
| | far <go set> <{0..15}> | 3 | 3 |
| | near <go set> <{0..99}> | 3 | 3 |
| pricallbycall | get | 3 | 3 |
| | set {0..31} | | 3 |
| prichannel | get all | 3 | 3 |
| | get {1..n} | 3 | 3 |
| | set all <on off> | | 3 |
| | set {1..n} <on off> | | 3 |
| pricsu | get | 3 | 3 |
| | internal | | 3 |
| | external | | 3 |
| pridialchannels | get | 3 | 3 |
| | set {1..n} | | 3 |
| priintlprefix | get | 3 | 3 |
| | set "prefix" | | 3 |

| API Command | Parameter | User ID | Admin ID |
|------------------|--|----------|----------|
| prilinebuildout | get | 3 | 3 |
| | set <0 -7.5 -15 -22.5> | | 3 |
| | set <0-133 134-266 267-399 400-533 534-665> | | 3 |
| prilinesignal | get | 3 | 3 |
| | set <esf/b8zs crc4/hdb3 hdb3> | | 3 |
| prinumberingplan | get | 3 | 3 |
| | isdn | | 3 |
| | unknown | | 3 |
| prioutsideline | get | 3 | 3 |
| | set "outside line" | | 3 |
| priswitch | get | | 3 |
| | set <att5ess att4ess norteldms ni2 net5/ctr4 nttins-1500 ts-038> | | 3 |
| reboot | [y now n] | 3 | 3 |
| recentcalls | | | 3 |
| registerall | | | 3 |
| resetsystem | deletesystemsettings | | 3 |
| | deletelocaldirectory | | 3 |
| | deletecdrr | | 3 |
| | deletelogs | | 3 |
| roomphonenumber | get | 3 | 3 |
| | set "number" | | 3 |
| rs232 baud | get | 3 | 3 |
| | 9600 14400 19200 38400 57600 115200 | | 3 |
| rs232port1 baud | get | 3 | 3 |
| | 9600 14400 19200 38400 57600 115200 | | 3 |
| rs232 mode | off | | 3 |
| | control | disabled | 3 |
| rs232port1 mode | off | | 3 |
| | control | disabled | 3 |

| API Command | Parameter | User ID | Admin ID |
|----------------------|--|---------|----------|
| rs366dialing | get | 3 | 3 |
| | on | | 3 |
| | off | | 3 |
| rt | get | 3 | 3 |
| | normal | | 3 |
| | inverted | | 3 |
| rts | get | 3 | 3 |
| | normal | | 3 |
| | inverted | | 3 |
| screen | | 3 | 3 |
| | register get | 3 | 3 |
| | [register unregister] | 3 | 3 |
| | "screen name" | 3 | 3 |
| screencontrol | enable <all none "screen_name"> | | 3 |
| | disable <all none "screen_name"> | | 3 |
| serialnum | | 3 | 3 |
| servvalidatepeercert | get | | 3 |
| | yes | | 3 |
| | no | | 3 |
| session | name "session name" | 3 | 3 |
| | find "session name" | 3 | 3 |
| sessionsenabled | get | | 3 |
| | yes | | 3 |
| | no | | 3 |
| setpassword | admin room "currentacctpasswd" "newacctpasswd" | | 3 |
| showpopup | "text to display" | | 3 |
| sleep | | 3 | 3 |
| | register | 3 | 3 |
| | unregister | 3 | 3 |

| API Command | Parameter | User ID | Admin ID |
|--|---|---------|----------|
| sleeptext | get | 3 | 3 |
| | set "text" | | 3 |
| sleeptime | get | 3 | 3 |
| | 0 1 3 15 30 60 120
240 480 | | 3 |
| soundeffectsvolume | get | 3 | 3 |
| | set {0..10} | 3 | 3 |
| | test | 3 | 3 |
| speeddial | names | 3 | 3 |
| | <all video phone> | 3 | 3 |
| | size | 3 | 3 |
| | range_start | 3 | 3 |
| | range_end | 3 | 3 |
| | group | 3 | 3 |
| | group_name_mutl site_entry_name | 3 | 3 |
| spidnum
Note: set is not allowed while in a call. | get <all 1b1 1b2 2b1 2b2 3b1 3b2 4b1 4b2> | 3 | 3 |
| | set <1b1 1b2 2b1 2b2 3b1 3b2 4b1 4b2> ["spid number"] | | 3 |
| sslverificationdepth | get | | 3 |
| | set | | 3 |
| st | get | 3 | 3 |
| | normal | | 3 |
| | inverted | | 3 |
| subnetmask
Note: set is not allowed while in a call. | get | 3 | 3 |
| | set "xxx.xxx.xxx.xxx" | | 3 |
| sysinfo | get | 3 | 3 |
| | register | 3 | 3 |
| | unregister | 3 | 3 |
| systemname | get | 3 | 3 |
| | set "system name" | | 3 |

| API Command | Parameter | User ID | Admin ID |
|----------------------------------|-----------------------|---------|----------|
| systemsetting 320gatewayenable | true | | 3 |
| | false | | 3 |
| | get | | 3 |
| systemsetting 323gatewayenable | true | | 3 |
| | false | | 3 |
| | get | | 3 |
| systemsetting bass | <-6 -4 -2 0 +2 +4 +6> | | 3 |
| | get | | 3 |
| systemsetting cameraaspectratio | 4:3 | | 3 |
| | 16:9 | | 3 |
| | get | | 3 |
| systemsetting cameraaspectratio1 | 4:3 | | 3 |
| | 16:9 | | 3 |
| | get | | 3 |
| systemsetting cameraaspectratio2 | 4:3 | | 3 |
| | 16:9 | | 3 |
| | get | | 3 |
| systemsetting cameraaspectratio3 | 4:3 | | 3 |
| | 16:9 | | 3 |
| | get | | 3 |
| systemsetting cameraaspectratio4 | 4:3 | | 3 |
| | 16:9 | | 3 |
| | get | | 3 |
| systemsetting cameracontent1 | people | | 3 |
| | content | | 3 |
| | get | | 3 |
| systemsetting cameracontent2 | people | | 3 |
| | content | | 3 |
| | get | | 3 |

| API Command | Parameter | User ID | Admin ID |
|------------------------------------|------------------|---------|----------|
| systemsetting cameracontent3 | people | | 3 |
| | content | | 3 |
| | get | | 3 |
| systemsetting cameracontent4 | people | | 3 |
| | content | | 3 |
| | get | | 3 |
| systemsetting cameraname | "name" | | 3 |
| | get | | 3 |
| systemsetting cameraname1 | "name" | | 3 |
| | get | | 3 |
| systemsetting cameraname2 | "name" | | 3 |
| | get | | 3 |
| systemsetting cameraname3 | "name" | | 3 |
| | get | | 3 |
| systemsetting cameraname4 | "name" | | 3 |
| | get | | 3 |
| systemsetting cameratype | NTSC | | 3 |
| | PAL | | 3 |
| | get | | 3 |
| systemsetting componentresolution | 720p | | 3 |
| | 1080i | | 3 |
| | 1080p | | 3 |
| | get | | 3 |
| systemsetting componentresolution1 | 720p | | 3 |
| | 1080i | | 3 |
| | 1080p | | 3 |
| | get | | 3 |
| systemsetting connectionpreference | VIDEO_THEN_AUDIO | | 3 |
| | AUDIO_THEN_VIDEO | | 3 |
| | get | | 3 |

| API Command | Parameter | User ID | Admin ID |
|---------------------------------------|--|---------|----------|
| systemsetting country | country | | 3 |
| | get | | 3 |
| systemsetting dialingmethod | Auto | | 3 |
| | Manual | | 3 |
| | get | | 3 |
| systemsetting displayiconincall | true | | 3 |
| | false | | 3 |
| | get | | 3 |
| systemsetting displaylastnumberdialed | true | | 3 |
| | false | | 3 |
| | get | | 3 |
| systemsetting domainname | domain | | 3 |
| | get | | 3 |
| systemsetting dviresolution | <60HZ1024x768 70HZ1024x768 75HZ1024x768 50HZ1280x720 60HZ1280x720 60H1400x1050 50HZ1920x1080I 50HZ1920x1080P 60HZ1920x1080I 60HZ1920x1080P> | | 3 |
| | get | | 3 |
| systemsetting dviresolution1 | <60HZ800x600 72HZ800x600 75HZ800x600 60HZ1024x768 70HZ1024x768 75HZ1024x768 50HZ1280x720 60HZ1280x720 60HZ1400x1050 50HZ1920x1080I 50HZ1920x1080P 60HZ1920x1080I 60HZ1920x1080P> | | 3 |
| | get | | 3 |
| systemsetting dviresolution3 | <60HZ800x600 72HZ800x600 75HZ800x600 60HZ1024x768 70HZ1024x768 75HZ1024x768 50HZ1280x720 60HZ1280x720 60HZ1280x1024> | | 3 |
| | get | | 3 |
| systemsetting enablegdsdirectory | true | | 3 |
| | false | | 3 |
| | get | | 3 |

| API Command | Parameter | User ID | Admin ID |
|----------------------------------|------------|---------|----------|
| systemsetting enablepolycomms | true | | 3 |
| | false | | 3 |
| | get | | 3 |
| systemsetting farnamedisplaytime | Off | | 3 |
| | On | | 3 |
| | 15 | | 3 |
| | 30 | | 3 |
| | 60 | | 3 |
| | 120 | | 3 |
| systemsetting iph323enable | true | | 3 |
| | false | | 3 |
| | get | | 3 |
| systemsetting ipmaxincoming | speed | | 3 |
| | get | | 3 |
| systemsetting isdnh320enable | true | | 3 |
| | false | | 3 |
| | get | | 3 |
| systemsetting isdnmaxincoming | speed | | 3 |
| | get | | 3 |
| systemsetting ldapuserid | userid | | 3 |
| systemsetting lineinlevel | {0..10} | | 3 |
| | get | | 3 |
| systemsetting lineintype | LINE_INPUT | | 3 |
| | MICROPHONE | | 3 |
| | get | | 3 |
| systemsetting lineoutmode | Fixed | | 3 |
| | Variable | | 3 |
| | get | | 3 |
| systemsetting maxrxbandwidth | speed | | 3 |
| | get | | 3 |

| API Command | Parameter | User ID | Admin ID |
|---|--|---------|----------|
| systemsetting maxtxbandwidth | speed | | 3 |
| | get | | 3 |
| systemsetting mediainlevel | Auto | | 3 |
| | 0..10 | | 3 |
| | get | | 3 |
| systemsetting model
systemsetting modelcamer anum1 | get | | 3 |
| | get | | 3 |
| systemsetting modelcamer anum2 | get | | 3 |
| systemsetting modelcamer anum3 | get | | 3 |
| systemsetting modelcamer anum4 | get | | 3 |
| systemsetting modelcamer anum5 | get | | 3 |
| systemsetting monitor3display | <Off 4:3 16:9> | | 3 |
| | get | | 3 |
| systemsetting monitor4display | <Off 4:3 16:9> | | 3 |
| | get | | 3 |
| systemsetting
monitor3screensaveroutput | <Black No_Signal> | | 3 |
| | get | | 3 |
| systemsetting
monitor4screensaveroutput | <Black No_Signal> | | 3 |
| | get | | 3 |
| systemsetting monitoroutputsignal | <DVI VGA Component_YPbPr
S_Video Composite> | | 3 |
| | get | | 3 |
| systemsetting
monitoroutputsignal1 | <DVI VGA Component_YPbPr
S_Video Composite> | | 3 |
| | get | | 3 |
| systemsetting
monitoroutputsignal2 | <DVI VGA Component_YPbPr
S_Video Composite> | | 3 |
| | get | | 3 |
| systemsetting
monitoroutputsignal3 | <DVI VGA Component_YPbPr
S_Video Composite> | | 3 |
| | get | | 3 |

| API Command | Parameter | User ID | Admin ID |
|--------------------------------|-----------|---------|----------|
| systemsetting overscanenabled1 | true | | 3 |
| | false | | 3 |
| | get | | 3 |
| systemsetting overscanenabled2 | true | | 3 |
| | false | | 3 |
| | get | | 3 |
| systemsetting overscanenabled3 | true | | 3 |
| | false | | 3 |
| | get | | 3 |
| systemsetting overscanenabled4 | true | | 3 |
| | false | | 3 |
| | get | | 3 |
| systemsetting potsenable | true | | 3 |
| | false | | 3 |
| | get | | 3 |
| systemsetting primarycamera | {1..5} | | 3 |
| | get | | 3 |
| systemsetting remotechannelid | {0..15} | | 3 |
| | get | | 3 |
| systemsetting securemode | true | | 3 |
| | false | | 3 |
| | get | | 3 |
| systemsetting sipaccountname | sipuser | | 3 |
| systemsetting sipdebug | true | | 3 |
| | false | | 3 |
| | get | | 3 |
| systemsetting sipenable | true | | 3 |
| | false | | 3 |
| | get | | 3 |

| API Command | Parameter | User ID | Admin ID |
|------------------------------------|--|---------|----------|
| systemsetting sipproxyserver | address | | 3 |
| | get | | 3 |
| systemsetting sipregistrarserver | address | | 3 |
| | get | | 3 |
| systemsetting siptransportprotocol | <Both TCP UDP> | | 3 |
| | get | | 3 |
| systemsetting sipusername | "name" | | 3 |
| | get | | 3 |
| systemsetting stereoenable | true | | 3 |
| | false | | 3 |
| | get | | 3 |
| systemsetting timeelapsed | <off elapsed local time> | | 3 |
| | get | | 3 |
| systemsetting transcodingenabled | true | | 3 |
| | false | | 3 |
| | get | | 3 |
| systemsetting treble | <-6 -4 -2 0 +2 +4 +6> | | 3 |
| | get | | 3 |
| systemsetting userdomain | domain | | 3 |
| | get | | 3 |
| systemsetting vcrdvdinlevel | <Auto 0..10> | | 3 |
| | get | | 3 |
| systemsetting vcrdvdoutlevel | {0..10} | | 3 |
| | get | | 3 |
| systemsetting vgaresolution | <60HZ1024x768 70HZ1024x768 75HZ1024x768 50HZ1280x720 60HZ1280x720 50HZ1920x1080P 60HZ1920x1080P> | | 3 |
| | get | | 3 |

| API Command | Parameter | User ID | Admin ID |
|--|--|---------|----------|
| systemsetting vgaresolution1 | <60HZ800x600 72HZ800x600 75HZ800x600 60HZ1024x768 70HZ1024x768 75HZ1024x768 50HZ1280x720 60HZ1280x720 50HZ1920x1080P 60HZ1920x1080P> | | 3 |
| | get | | 3 |
| systemsetting vgaresolution3 | <60HZ800x600 72HZ800x600 75HZ800x600 60HZ1024x768 70HZ1024x768 75HZ1024x768 50HZ1280x720 60HZ1280x720 60HZ1280x1024P> | | 3 |
| | get | | 3 |
| systemsetting sippassword | password | | 3 |
| systemsetting webenabled | true | | 3 |
| | false | | 3 |
| | get | | 3 |
| systemsetting whitebalancemode | <atw indoor 3680K 4160K 4640K 5120K outdoor awc> | | |
| | get | | |
| systemsetting telnetenabled | get | | 3 |
| | on | | 3 |
| | off | | 3 |
| | port24only | | 3 |
| tcpports
Note: set is not allowed while in a call. | get | 3 | 3 |
| | set | | 3 |
| techsupport | "phone num" | 3 | 3 |
| teleareacode | get | 3 | 3 |
| | set "telephone_area_code" | | 3 |
| telenumber | get | 3 | 3 |
| | set "telephone number" | | 3 |
| timediffgmt | get | 3 | 3 |
| | {-12:00..+12:00} | | 3 |
| typeofservice | get | 3 | 3 |
| | ipprecedence | | 3 |
| | diffserv | | 3 |

| API Command | Parameter | User ID | Admin ID |
|--|--------------------------------|---------|----------|
| udpports
Note: set is not allowed while in a call. | get | 3 | 3 |
| | set [{1024..49150}] | | 3 |
| unregisterall | | | 3 |
| usefixedports | get | 3 | 3 |
| | yes | | 3 |
| | no | | 3 |
| usegatekeeper | get | 3 | 3 |
| | off | | 3 |
| | specify | | 3 |
| | auto | | 3 |
| usepathnavigator | get | 3 | 3 |
| | always | | 3 |
| | never | | 3 |
| | required | | 3 |
| useroompassword | get | | 3 |
| | no | | 3 |
| | yes | | 3 |
| v35broadcastmode
Note: set is not allowed while in a call. | get | 3 | 3 |
| | on | | 3 |
| | off | | 3 |
| v35dialingprotocol | get | 3 | 3 |
| | rs366 | | 3 |
| v35num
Note: set is not allowed while in a call. | get <1b1 1b2> | 3 | 3 |
| | set <1b1 1b2> ["v35 number"] | | 3 |
| v35portsused | get | 3 | 3 |
| | <1 1+2> | | 3 |
| v35prefix | get "valid speed" | 3 | 3 |
| | set "valid speed" ["value"] | | 3 |

| API Command | Parameter | User ID | Admin ID |
|----------------------|--|----------|----------|
| v35profile | get | 3 | 3 |
| | adtran adtran_isu512 ascend ascend_vsx ascend_max avaya_mcu custom_1 fvc.com initial lucent_mcu madge_teleos | | 3 |
| v35suffix | get "valid speed" | 3 | 3 |
| | set "valid speed" ["value"] | | 3 |
| vcbutton | play {2..5} | 3 | 3 |
| | <get stop register unregister> | 3 | 3 |
| | map <get {2..5}> | 3 | 3 |
| | source get | 3 | 3 |
| vcraudioout | get | 3 | 3 |
| | yes | | 3 |
| | no | | 3 |
| vcrrecordsource | get | 3 | 3 |
| | <near far auto content content-or-near content-or-far content-or-auto none> | 3 | 3 |
| vgaqualitypreference | get | 3 | 3 |
| | content | 3 | 3 |
| | people | 3 | 3 |
| | both | 3 | 3 |
| videocallorder | <isdn h323 sip gateway323> <1 2 3 4> | | 3 |
| voicecallorder | <isdn_phone pots> <1 2> | | 3 |
| volume | get | 3 | 3 |
| | set | | 3 |
| | up | | 3 |
| | down | | 3 |
| | register | | 3 |
| | unregister | | 3 |
| | range | | 3 |
| vortex | <0 1> mute <on off> | disabled | disabled |
| | <0 1> forward "vortex_macro" | disabled | disabled |

| API Command | Parameter | User ID | Admin ID |
|------------------|----------------------------|---------|----------|
| waitfor | <systemready callcomplete> | 3 | 3 |
| wake | | 3 | 3 |
| wanipaddress | get | 3 | 3 |
| | set "xxx.xxx.xxx.xxx" | | 3 |
| webport | get | | 3 |
| | set | | 3 |
| whitelistenabled | get | | 3 |
| | yes | | 3 |
| | no | | 3 |

Categorical List of API Commands

You can view the table of contents for this book to see an alphabetical list of available API commands. These commands are categorized into the following sections:

- [Local Directory Commands](#) on page [E-2](#)
- [Call Function Commands](#) on page [E-2](#)
- [Conference Setting Commands](#) on page [E-3](#)
- [Chair Control Commands](#) on page [E-4](#)
- [Global Services Commands](#) on page [E-4](#)
- [LAN, WAN, and IP Commands](#) on page [E-5](#)
- [H320, POTS and Miscellaneous Network Commands](#) on page [E-7](#)
- [Video and Audio Commands](#) on page [E-9](#)
- [Registration Commands](#) on page [E-11](#)
- [System Commands](#) on page [E-11](#)
- [User Interface and System Display/Sound Commands](#) on page [E-14](#)
- [Miscellaneous Commands](#) on page [E-15](#)

Local Directory Commands

- [abk \(deprecated\)](#) on page [4-9](#) (all Polycom HDX system versions)
- [addrbook](#) on page [4-12](#) (Polycom HDX system versions 2.5 and later)

Call Function Commands

Calling Commands

- [answer](#) on page [4-33](#)
- [dial](#) on page [4-99](#)
- [flash](#) on page [4-139](#)
- [gential](#) on page [4-165](#)
- [gentialtonepots \(deprecated\)](#) on page [4-166](#)
- [hangup](#) on page [4-187](#)
- [phone](#) on page [4-277](#)

Call Status Request

- [advnetstats](#) on page [4-20](#)
- [callinfo](#) on page [4-65](#)
- [getcallstate](#) on page [4-169](#)
- [netstats](#) on page [4-260](#)

Call Logging Data

- [callstats](#) on page [4-68](#)
- [calldetail](#) on page [4-63](#)
- [calldetailreport](#) on page [4-64](#)
- [display \(deprecated\)](#) on page [4-106](#)
- [recentcalls](#) on page [4-295](#)

Call Registrations

- [callstate](#) on page [4-66](#)
- [listen](#) on page [4-236](#)
- [nonotify](#) on page [4-261](#)
- [notify](#) on page [4-263](#)

Call Account Settings

- [requireacctnumtodial](#) on page 4-300
- [setaccountnumber](#) on page 4-316
- [validateacctnum](#) on page 4-460

Call Preference Settings

- [maxtimeincall](#) on page 4-243
- [videocallorder](#) on page 4-468
- [voicecallorder](#) on page 4-469

Conference Setting Commands

Conference Settings

- [autoanswer](#) on page 4-38
- [autoshowcontent](#) on page 4-39
- [basicmode](#) on page 4-41
- [contentauto](#) on page 4-88
- [dualmonitor](#) on page 4-118
- [dynamicbandwidth](#) on page 4-119
- [encryption](#) on page 4-130
- [enablepvec](#) on page 4-127
- [farcontrolnearcamera](#) on page 4-137
- [h239enable](#) on page 4-180
- [mpautoanswer](#) on page 4-250
- [mpmode](#) on page 4-251
- [muteautoanswer](#) on page 4-256
- [pip](#) on page 4-278
- [vgaqualitypreference](#) on page 4-467

Conference Password Settings

- [mcpassword](#) on page 4-244
- [meetingpassword](#) on page 4-245

Chair Control Commands

- [chaircontrol](#) on page 4-75

Global Services Commands

Calendar Commands

- [calendardomain](#) on page 4-48
- [calendarmeetings](#) on page 4-49
- [calendarpassword](#) on page 4-54
- [calendarplaytone](#) on page 4-55
- [calendarregisterwithserver](#) on page 4-56
- [calendarremindertime](#) on page 4-57
- [calendarresource](#) on page 4-58
- [calendarserver](#) on page 4-59
- [calendarshowpvtmeetings](#) on page 4-60
- [calendarstatus](#) on page 4-61
- [calendaruser](#) on page 4-62

GAB and GDS Commands

- [addressdisplayedingab](#) on page 4-19
- [gabk \(deprecated\)](#) on page 4-140
- [gabpassword](#) on page 4-143
- [gabserverip](#) on page 4-144
- [gaddrbook](#) on page 4-145
- [maxgabinternationalcallspeed](#) on page 4-240
- [maxgabinternetcallspeed](#) on page 4-241
- [maxgabisdncallspeed](#) on page 4-242
- [registerthissystem](#) on page 4-297

GMS Commands

- [gmscity](#) on page 4-171
- [gmscontactemail](#) on page 4-172
- [gmscontactfax](#) on page 4-173
- [gmscontactnumber](#) on page 4-174
- [gmscontactperson](#) on page 4-175

- [gmscountry](#) on page 4-176
- [gmsstate](#) on page 4-177
- [gmstechsupport](#) on page 4-178
- [gmsurl](#) on page 4-179

LDAP Commands

- [ldapauthenticationtype](#) on page 4-225
- [ldapbasedn](#) on page 4-226
- [ldapbinddn](#) on page 4-227
- [ldapdirectory](#) on page 4-228
- [ldapntlmdomain](#) on page 4-229
- [ldappassword](#) on page 4-230
- [ldapserversaddress](#) on page 4-231
- [ldapserversport](#) on page 4-232
- [ldapsrlenabled](#) on page 4-233
- [ldapusername](#) on page 4-234

SNMP Commands

- [enablesnmp](#) on page 4-129
- [snmpadmin](#) on page 4-322
- [snmpcommunity](#) on page 4-323
- [snmpconsoleip](#) on page 4-324
- [snmplocation](#) on page 4-325
- [snmpsystemdescription](#) on page 4-326
- [snmptrapversion](#) on page 4-327

OCS Commands

- [ocsdirectory](#) on page 4-272

LAN, WAN, and IP Commands

H323 Commands

- [clientvalidatepeercert](#) on page 4-77
- [dynamicbandwidth](#) on page 4-119
- [e164ext](#) on page 4-120

- [enablersvp](#) on page 4-128
- [h323name](#) on page 4-181
- [ipdialspeed](#) on page 4-205
- [natconfig](#) on page 4-257
- [nath323compatible](#) on page 4-258
- [usepathnavigator](#) on page 4-449

Gatekeeper Commands

- [gatekeeperip](#) on page 4-155
- [usegatekeeper](#) on page 4-448

Gateway Commands

- [gatewayareacode](#) on page 4-156
- [gatewaycountrycode](#) on page 4-157
- [gatewayext](#) on page 4-158
- [gatewaynumber](#) on page 4-159
- [gatewaynumbertype](#) on page 4-160
- [gatewayprefix](#) on page 4-161
- [gatewaysetup](#) on page 4-162
- [gatewaysuffix](#) on page 4-163
- [numdigitsdid](#) on page 4-270
- [numdigitsext](#) on page 4-271

LAN and WAN Commands

- [defaultgateway](#) on page 4-96
- [dhcp](#) on page 4-98
- [dns](#) on page 4-114
- [getconfiguredipaddress](#) on page 4-170
- [hostname](#) on page 4-194
- [ipv6addrmode](#) on page 4-209
- [ipv6globaladdress](#) on page 4-210
- [ipv6defaultgateway](#) on page 4-211
- [ipv6linklocal](#) on page 4-212
- [ipv6sitelocal](#) on page 4-213
- [ipaddress](#) on page 4-204
- [ipstat](#) on page 4-214
- [lanport](#) on page 4-224
- [subnetmask](#) on page 4-337

- [wanipaddress](#) on page 4-476
- [webport](#) on page 4-478

Network and QoS Commands

- [destunreachabletx](#) on page 4-97
- [diffservaudio](#), [diffservfec](#), [diffservvideo](#) on page 4-104
- [echoreply](#) on page 4-123
- [enablefirewalltraversal](#) on page 4-124
- [icmpoutpacketrates](#) on page 4-196
- [ignoreredirect](#) on page 4-197
- [ipprecaudio](#), [ipprefec](#), [ipprecvideo](#) on page 4-208
- [mtumode](#) on page 4-253
- [mtusize](#) on page 4-254
- [ntpmode](#) on page 4-266
- [ntpserver](#) on page 4-268
- [ntpsecondaryserver](#) on page 4-267
- [systemsetting telnetenabled](#) on page 4-424
- [tcpports](#) on page 4-438
- [typeofservice](#) on page 4-444
- [udpports](#) on page 4-445
- [usefixedports](#) on page 4-447
- [webmonitoring](#) on page 4-477

Network Security Commands

- [incompleterevoationcheck](#) on page 4-203
- [loginwindowduration](#) on page 4-238
- [servvalidatepeercert](#) on page 4-313
- [sessionsenabled](#) on page 4-315
- [sslverificationdepth](#) on page 4-336
- [whitelistenabled](#) on page 4-479

H320, POTS and Miscellaneous Network Commands

ISDN - Global Commands

- [areacode](#) on page 4-34
- [dialchannels](#) on page 4-103

- [isdnareacode](#) on page 4-215
- [isdncountrycode](#) on page 4-216
- [isdndialingprefix](#) on page 4-217
- [isdndialspeed](#) on page 4-218
- [isdnum](#) on page 4-220
- [isdnswitch](#) on page 4-221

ISDN - BRI Commands

- [bri1enable, bri2enable, bri3enable, bri4enable](#) on page 4-42
- [briallenable](#) on page 4-43
- [speeddial](#) on page 4-330

ISDN - PRI Commands

- [pricallbycall](#) on page 4-283
- [prichannel](#) on page 4-284
- [pricsu](#) on page 4-286
- [pridialchannels](#) on page 4-287
- [priintlprefix](#) on page 4-288
- [prilinebuildout](#) on page 4-289
- [prilinesignal](#) on page 4-290
- [prinumberingplan](#) on page 4-291
- [prioutsideline](#) on page 4-292
- [priswitch](#) on page 4-293

V35 Commands

- [cts](#) on page 4-92
- [dcd](#) on page 4-94
- [dcdfilter](#) on page 4-95
- [dsr](#) on page 4-115
- [dsranswer](#) on page 4-116
- [dtr](#) on page 4-117
- [h331audiomode](#) on page 4-182
- [h331dualstream](#) on page 4-183
- [h331framerate](#) on page 4-184
- [h331videoformat](#) on page 4-185
- [h331videoprotocol](#) on page 4-186
- [rs366dialing](#) on page 4-307
- [rt](#) on page 4-308

- [rts](#) on page 4-309
- [st](#) on page 4-335
- [v35broadcastmode](#) on page 4-452
- [v35dialingprotocol](#) on page 4-453
- [v35num](#) on page 4-454
- [v35portsused](#) on page 4-456
- [v35prefix](#) on page 4-457
- [v35profile](#) on page 4-458
- [v35suffix](#) on page 4-459

POTS Commands

- [roomphonenumber](#) on page 4-303
- [teleareacode](#) on page 4-440
- [teleniumber](#) on page 4-441

Miscellaneous Network Commands

- [advnetstats](#) on page 4-20
- [linestate](#) on page 4-235
- [netstats](#) on page 4-260
- [nonotify](#) on page 4-261
- [notify](#) on page 4-263

Video and Audio Commands

Audio Commands

- [audiometer](#) on page 4-35
- [audiotransmitlevel](#) on page 4-37
- [echocanceller](#) on page 4-122
- [enablekeyboardnoisereduction](#) on page 4-125
- [enablelivemusicmode](#) on page 4-126
- [mute](#) on page 4-255
- [nonotify](#) on page 4-261
- [notify](#) on page 4-263
- [soundeffectsvolume](#) on page 4-328
- [vcraudioout](#) on page 4-464
- [volume](#) on page 4-470

- [vortex](#) on page 4-472

Content Commands

- [autoshowcontent](#) on page 4-39
- [camera](#) on page 4-69
- [contentauto](#) on page 4-88
- [vcbutton](#) on page 4-461

Camera Control/Input Select Commands

- [camera](#) on page 4-69
- [farcontrolnearcamera](#) on page 4-137
- [preset](#) on page 4-281

Camera Input Setting Commands

- [backlightcompensation](#) on page 4-40
- [camera](#) on page 4-69
- [cameradirection](#) on page 4-73
- [camerainput](#) on page 4-74
- [configparam](#) on page 4-83
- [nonotify](#) on page 4-261
- [notify](#) on page 4-263

Monitor Video Output Setting Commands

- [configdisplay](#) on page 4-81
- [configpresentation](#) on page 4-84
- [contentsplash](#) on page 4-89
- [contentvideoadjustment](#) on page 4-90
- [dualmonitor](#) on page 4-118
- [monitor1 \(deprecated\)](#) on page 4-246
- [monitor1screensaveroutput](#) on page 4-247
- [monitor2 \(deprecated\)](#) on page 4-248
- [monitor2screensaveroutput](#) on page 4-249
- [numberofmonitors \(deprecated\)](#) on page 4-269
- [peoplevideoadjustment](#) on page 4-276
- [pip](#) on page 4-278
- [vcrecordsource](#) on page 4-465

Registration Commands

- [all register](#) on page 4-24
- [all unregister](#) on page 4-26
- [audiotransmitlevel](#) on page 4-37
- [callstate](#) on page 4-66
- [camera](#) on page 4-69
- [chaircontrol](#) on page 4-75
- [configchange \(deprecated\)](#) on page 4-80
- [linestate](#) on page 4-235
- [listen](#) on page 4-236
- [mute](#) on page 4-255
- [nonotify](#) on page 4-261
- [notify](#) on page 4-263
- [pip](#) on page 4-278
- [preset](#) on page 4-281
- [registerall \(deprecated\)](#) on page 4-296
- [screen](#) on page 4-310
- [sysinfo](#) on page 4-338
- [unregisterall \(deprecated\)](#) on page 4-446
- [vcbutton](#) on page 4-461
- [volume](#) on page 4-470

System Commands

System Setting Commands

- [addrbook](#) on page 4-12
- [allowabkchanges](#) on page 4-27
- [allowcamerapresetssetup](#) on page 4-28
- [alldialing](#) on page 4-29
- [allowmixedcalls](#) on page 4-30
- [allowusersetup](#) on page 4-31
- [confirmdiradd](#) on page 4-86
- [confirmdirdel](#) on page 4-87
- [country](#) on page 4-91
- [daylightsavings](#) on page 4-93
- [gaddrbook](#) on page 4-145
- [gdsdirectory](#) on page 4-164

- [language](#) on page 4-223
- [remotemonenable](#) on page 4-299
- [rs232 baud, rs232port1 baud](#) on page 4-304
- [rs232 mode, rs232port1 mode](#) on page 4-305
- [setpassword](#) on page 4-317
- [sleeptext](#) on page 4-320
- [sleeptime](#) on page 4-321
- [speeddial](#) on page 4-330
- [systemname](#) on page 4-339
- [systemsetting 320gatewayenable](#) on page 4-340
- [systemsetting 323gatewayenable](#) on page 4-341
- [systemsetting bass](#) on page 4-342
- [systemsetting cameraaspectratio](#) on page 4-343
- [systemsetting cameraaspectratio1](#) on page 4-344
- [systemsetting cameraaspectratio2](#) on page 4-345
- [systemsetting cameraaspectratio3](#) on page 4-346
- [systemsetting cameraaspectratio4](#) on page 4-347
- [systemsetting cameracontent1](#) on page 4-348
- [systemsetting cameracontent2](#) on page 4-349
- [systemsetting cameracontent3](#) on page 4-350
- [systemsetting cameracontent4](#) on page 4-351
- [systemsetting cameraname](#) on page 4-352
- [systemsetting cameraname1](#) on page 4-353
- [systemsetting cameraname2](#) on page 4-354
- [systemsetting cameraname3](#) on page 4-355
- [systemsetting cameraname4](#) on page 4-356
- [systemsetting componentresolution](#) on page 4-358
- [systemsetting componentresolution1](#) on page 4-359
- [systemsetting connectionpreference](#) on page 4-360
- [systemsetting country](#) on page 4-361
- [systemsetting dialingmethod](#) on page 4-370
- [systemsetting displayiconincall](#) on page 4-371
- [systemsetting displaylastnumberdialed](#) on page 4-372
- [systemsetting domainname](#) on page 4-373
- [systemsetting dviresolution](#) on page 4-374
- [systemsetting dviresolution1](#) on page 4-376
- [systemsetting dviresolution3](#) on page 4-378
- [systemsetting enablegdsdirectory](#) on page 4-379
- [systemsetting enablepolycomms](#) on page 4-380
- [systemsetting farnamedisplaytime](#) on page 4-381

- [systemsetting iph323enable](#) on page 4-382
- [systemsetting ipmaxincoming](#) on page 4-383
- [systemsetting isdnh320enable](#) on page 4-384
- [systemsetting isdnmaxincoming](#) on page 4-385
- [systemsetting ldapuserid](#) on page 4-386
- [systemsetting lineinlevel](#) on page 4-387
- [systemsetting lineintype](#) on page 4-388
- [systemsetting maxrxbandwidth](#) on page 4-390
- [systemsetting maxtxbandwidth](#) on page 4-391
- [systemsetting model](#) on page 4-393
- [systemsetting modelcamer anum1](#) on page 4-394
- [systemsetting modelcamer anum2](#) on page 4-395
- [systemsetting modelcamer anum3](#) on page 4-396
- [systemsetting modelcamer anum4](#) on page 4-397
- [systemsetting modelcamer anum5](#) on page 4-398
- [systemsetting monitor3display](#) on page 4-399
- [systemsetting monitor3saveroutput](#) on page 4-401
- [systemsetting monitor4saveroutput](#) on page 4-402
- [systemsetting monitoroutputsignal](#) on page 4-403
- [systemsetting monitoroutputsignal1](#) on page 4-404
- [systemsetting monitoroutputsignal2](#) on page 4-405
- [systemsetting monitoroutputsignal3](#) on page 4-406
- [systemsetting overscanenabled1](#) on page 4-407
- [systemsetting overscanenabled2](#) on page 4-408
- [systemsetting overscanenabled3](#) on page 4-409
- [systemsetting overscanenabled4](#) on page 4-410
- [systemsetting potsenable](#) on page 4-411
- [systemsetting primarycamera](#) on page 4-412
- [systemsetting remotechannelid](#) on page 4-413
- [systemsetting securemode](#) on page 4-414
- [systemsetting sipaccountname](#) on page 4-415
- [systemsetting sipdebug](#) on page 4-416
- [systemsetting sipenable](#) on page 4-417
- [systemsetting sipproxyserver](#) on page 4-419
- [systemsetting sipregistrarserver](#) on page 4-420
- [systemsetting siptransportprotocol](#) on page 4-421
- [systemsetting sipusername](#) on page 4-422
- [systemsetting stereoenable](#) on page 4-423
- [systemsetting timeelapsed](#) on page 4-425
- [systemsetting transcodingenabled](#) on page 4-426

- [systemsetting treble](#) on page 4-427
- [systemsetting userdomain](#) on page 4-428
- [systemsetting vcrdvdinlevel](#) on page 4-429
- [systemsetting vcrdvdoutlevel](#) on page 4-430
- [systemsetting vgaresolution](#) on page 4-431
- [systemsetting vgaresolution1](#) on page 4-432
- [systemsetting vgaresolution3](#) on page 4-434
- [systemsetting webenabled](#) on page 4-435
- [systemsetting webenabled](#) on page 4-435
- [systemsetting whitebalancemode](#) on page 4-436
- [systemsetting whitebalancemode1](#) on page 4-437
- [systemsetting monitor4display](#) on page 4-400
- [systemsetting telnetenabled](#) on page 4-424
- [techsupport](#) on page 4-439
- [timediffgmt](#) on page 4-443
- [useroompassword](#) on page 4-451

Query Commands for System Information

- [serialnum](#) on page 4-312
- [sysinfo](#) on page 4-338
- [version](#) on page 4-466
- [whoami](#) on page 4-480

Diagnostic Commands

- [colorbar](#) on page 4-79
- [generatetone](#) on page 4-167
- [nearloop](#) on page 4-259
- [reboot](#) on page 4-294

User Interface and System Display/Sound Commands

Sound Setting Commands

- [alertusertone](#) on page 4-22
- [alertvideotone](#) on page 4-23
- [keypadaudioconf](#) on page 4-222

Display Setting Commands

- [directory](#) on page 4-105
- [displayglobaladdresses](#) on page 4-108
- [displaygraphics](#) on page 4-109
- [displayipext](#) on page 4-110
- [displayipisdninfo \(deprecated\)](#) on page 4-111
- [farnametimedisplay](#) on page 4-138
- [get screen](#) on page 4-168
- [homequality](#) on page 4-189
- [homemultipoint \(deprecated\)](#) on page 4-190
- [homerecentcalls](#) on page 4-191
- [homesystem](#) on page 4-192
- [homesystemname](#) on page 4-193
- [ipisdninfo](#) on page 4-207
- [localdatetime](#) on page 4-237
- [marqueedisplaytext](#) on page 4-239
- [popupinfo](#) on page 4-280
- [screen](#) on page 4-310
- [screencontrol](#) on page 4-311
- [showpopup](#) on page 4-318

IR Emulation Commands and Control

- [button](#) on page 4-44
- [remotecontrol](#) on page 4-298

Miscellaneous Commands

- [!](#) on page 4-7
- [amxdd](#) on page 4-32
- [cmdecho](#) on page 4-78
- [displayparams](#) on page 4-112
- [echo](#) on page 4-121
- [exit](#) on page 4-132
- [exportdirectory](#) on page 4-133
- [exportprofile](#) on page 4-135
- [history](#) on page 4-188
- [importdirectory](#) on page 4-198
- [importprofile](#) on page 4-201

- [oobcomplete](#) on page 4-274
- [pause](#) on page 4-275
- [resetsystem](#) on page 4-301
- [session](#) on page 4-314
- [sleep](#) on page 4-319
- [telnetchoeol](#) on page 4-442
- [waitfor](#) on page 4-474
- [wake](#) on page 4-475

Index

Symbols

! command 4-7

A

abk (deprecated) command 4-9

account number

command for requiring 4-300

command for setting 4-316

command for validating 4-460

adapters

audio 2-56

BNC to S-Video 2-17

HDCI PowerCam Plus 2-31

HDCI Sony VISCA 2-36

HDCI VISCA 2-32

microphone 2-49

null modem 2-65

S-Video to RCA 2-18

V.35/RS-449/RS-530 2-8

addrbook command 4-12

address

LDAP server 4-231

addressdisplayingab command 4-19

advnetstats command 4-20

alertusertone command 4-22

alertvideotone command 4-23

all register command 4-24

all unregister command 4-26

allowabkchanges command 4-27

allowcamerapresetssetup command 4-28

allowdialing command 4-28, 4-29

allowmixedcalls command 4-30

allowusersetup command 4-31

AMX, Device Discovery 4-32

amxdd command 4-32

answer command 4-33

API

session command 4-314

using over LAN 3-4

using over RS-232 3-1

API resources 3-5

contact information 3-5

controller code downloads 3-4

Knowledge Base 3-5

video test numbers 3-5

area code

command for BRI 4-34

command for gateway 4-156

command for ISDN 4-215

command for system 4-440

areacode command 4-34

attenuator, subwoofer volume 2-60

audio

cable 2-56, 2-57

connector, balanced 2-59

integration 1-23

audio mode, command for H.331 calls 4-182

audio out, VCR 4-464

audiometer command 4-35

audiotransmitlevel command 4-37

authentication type

LDAP server 4-225

auto answer, command for multipoint 4-250

auto mode, command for multipoint display 4-251

autoanswer command 4-38

B

B channel status messages B-1

back panels C-1

backlightcompensation command 4-40

bandwidth 4-467

base DN

LDAP server 4-226

basicmode command 4-41

baud rate, command to set RS-232 port 4-304

bind DN

LDAP server 4-227

BNC adapter 2-17

BNC to S-Video cable 2-16

- BRI cable 2-5
- briallenable command 4-43
- brienable commands 4-42
- broadcaster setting 4-76
- broadcasting, V.35 command 4-452
- button command 4-44
- C**
- cables
 - analog telephone 2-7
 - audio 2-56, 2-57
 - BNC 2-23
 - BNC monitor 2-21
 - BNC to S-Video 2-16
 - BRI 2-5
 - CAT 5e LAN 2-1
 - Component A/V Monitor 2-25
 - composite video 2-39
 - DVI 2-20, 2-21, 2-22
 - DVI Monitor 2-24
 - DVI to VGA 2-15, 2-19
 - HDCI 2-26, 2-30, 2-31, 2-32, 2-33, 2-36
 - HDMI monitor 2-20
 - HDX component video 2-23
 - ISDN 2-5
 - LAN 2-3
 - microphone 2-48, 2-49, 2-53
 - microphone host 2-46, 2-51
 - Polycom HDX component monitor 2-22
 - POTS 2-7
 - PowerCam break-out 2-41
 - PowerCam control 2-42
 - PowerCam Plus primary 2-43
 - PowerCam primary 2-40
 - PRI 2-5
 - RCA 2-23
 - RS-366 2-10, 2-11, 2-12
 - RS-449 2-11
 - RS-530 2-12
 - serial 2-63
 - S-Video 2-15
 - V.35 2-9, 2-10
 - VCR/DVD composite 2-38
 - VISCA 2-42
 - Vortex 2-58
- calendardomain command 4-48
- calendarmeetings command 4-49
- calendarpassword command 4-54
- calendarplaytone command 4-55
- calendarregisterwithserver 4-56
- calendarregisterwithserver command 4-56
- calendarremindertime command 4-57
- calendarresource command 4-58
- calendarserver command 4-59
- calendarshowpvtmeetings 4-60
- calendarshowpvtmeetings command 4-60
- call quality, command for access 4-189
- call speed
 - command for Internet 4-241
 - command for ISDN 4-242
 - international calls, maximum speed 4-240
 - maximum command 4-240
- call status, displaying B-1
- calldetail command 4-63
- calldetailreport command 4-64
- callinfo command 4-65
- callstate command 4-66
- callstats command 4-68
- camera command 4-69
- camera presets, command to allow 4-28
- cameradirection command 4-73
- camerainput command 4-74
- cameras, connecting
 - Polycom EagleEye 1080 camera 1-11
 - PowerCam as main camera 1-14
 - PowerCam as secondary camera 1-15, 1-16
 - PowerCam Plus as main camera 1-17
 - PowerCam Plus as second camera 1-18, 1-20
 - Sony BRC-H700 PTZ camera 1-20
 - Sony EVI-HD1 camera 1-11
 - Sony PTZ camera 1-19
 - Vaddio 300 PTZ camera 1-22
 - Vaddio 70 and 100 PTZ camera 1-21
- Canon PTZ camera 1-21
- chaircontrol command 4-75
- city, command for Global Management System 4-171
- clientvalidatepeercert command 4-77
- cmdecho command 4-78
- colorbar command 4-79
- command response syntax 4-3
- command, configuring parameters 4-83
- composite video cable 2-39
- configchange command 4-80
- configdisplay command 4-81
- configparam command 4-83
- configpresentation command 4-84
- configuration settings 4-83
- configuring parameters 4-83
- confirmdiradd command 4-86

confirmdiridel command 4-87
connections, back panel C-1
connectors
 balanced audio 2-59
 subwoofer 2-60
contact information 3-5
contact, command for Global Management System 4-172, 4-175
contentauto command 4-88
contentsplash command 4-89
contentvideoadjustment command 4-90
control
 flow 4-5
controller code downloads 3-4
conventions, syntax 4-2
country code
 command for gateway 4-157
 command for ISDN 4-216
country command 4-91
country, command for Global Management System 4-176
Crestron systems 2-65, 3-4
cts command 4-92

D

date and time, command to display 4-237
daylightsavings command 4-93
dcd command 4-94
dcdfilter command 4-95
defaultgateway command 4-96
delay between commands 4-5
destunreachabletx command 4-97
Device Discovery, AMX 4-32
dhcp command 4-98
dial command 4-99
dialchannels command 4-103
dialing
 command for allowing 4-28, 4-29
 command for RS-366 4-307
dialing order
 command for video calls 4-468
 command for voice calls 4-469
dialing prefix
 command for PRI international 4-288
 command for V.35 4-457
dialing speed
 command for IP 4-205
 command for ISDN 4-218
dialing tones, generating 4-166

diffservaudio command 4-104
diffservfec command 4-104
diffservvideo command 4-104
directory
 command for allowing changes 4-27
 command for confirming additions 4-86
 command for confirming deletions 4-87
directory command 4-105
discussion mode, command for multipoint display 4-251
display command 4-106
displayglobaladdresses command 4-108
displaygraphics command 4-109
displayipext command 4-110
displayipisdninfo command 4-111
displayparams command 4-112
dns command 4-114
do not disturb setting
 for multipoint calls 4-250
 for point-to-point calls 4-38
downloads, controller code 3-4
dsr command 4-115
dsranswer command 4-116
DTMF dialing tones, generating 4-166
dtr command 4-117
dual stream setting, command for H.331 calls 4-183
dualmonitor command 4-118
DVI cable 2-19
DVI to VGA cable 2-15
dynamicbandwidth command 4-119

E

e164ext command 4-120
echo command 4-121
echocanceller command 4-122
echoreply command 4-123
ELMO PTZ camera 1-19
email contact, command for Global Management System 4-172
enablefirewalltraversal command 4-124
enablekeyboardnoisereduction command 4-125
enablelivemusicmode command 4-126
enablepvec command 4-127
enablersvp command 4-128
enablesnmp command 4-129
encryption command 4-130
exit command 4-132

exportdirectory command 4-133
 exportprofile command 4-135
 extension, command for gateway 4-158

F

farcontrolnearcamera command 4-137
 farnametimedisplay command 4-138
 fax, command for Global Management System 4-173
 firewall traversal, H.460 traversal 4-124
 flash command 4-139
 flow control 4-5
 frame rate, command for H.331 calls 4-184
 fullscreen mode, command for multipoint display 4-251

G

gabk command 4-140
 gabpassword command 4-143
 gabserverip command 4-144
 gaddrbook 4-145
 gaddrbook command 4-145
 gatekeeper, command for mode 4-448
 gatekeeperip command 4-155
 gateway, command for default 4-96
 gatewayareacode command 4-156
 gatewaycountrycode command 4-157
 gatewayext command 4-158
 gatewaynumber command 4-159
 gatewaynumbertype command 4-160
 gatewayprefix command 4-161
 gatewaysetup command 4-162
 gatewaysuffix command 4-163
 GDS
 command for display 4-108
 command for server 4-144
 password 4-143
 gdsdirectory command 4-164
 gendial command 4-165
 gendialtonepots command 4-166
 generatetone command 4-167
 get screen command 4-168
 getcallstate command 4-169
 getconfiguredipaddress command 4-170
 global directory
 displaying address in 4-19
 maximum call speed 4-240, 4-241, 4-242
 returning entries 4-140

Global Management System
 command for email 4-172
 command for support number 4-178
 gmscopy command 4-171
 gmscontactemail command 4-172
 gmscontactfax command 4-173
 gmscontactnumber command 4-174
 gmscontactperson command 4-175
 gmscountry command 4-176
 gmsstate command 4-177
 gmstechsupport command 4-178
 gmsurl command 4-179

H

H.460 firewall traversal 4-124
 h239enable command 4-180
 h323name command 4-181
 h331audiomode command 4-182
 h331dualstream command 4-183
 h331framerate command 4-184
 h331videoformat command 4-185
 h331videoprotocol command 4-186
 hangup command 4-187
 HDCI analog camera cable 2-26
 HDCI camera break-out cable 2-30
 HDCI Polycom EagleEye 1080 Camera cable 2-33
 HDCI PowerCam Plus adapter 2-31, 2-32, 2-36
 history command 4-188
 history list 4-7
 home screen IP and ISDN information display 4-207
 homecallquality command 4-189
 homemultipoint command 4-190
 homerecentcalls command 4-191
 homesystem command 4-192
 homesystemname command 4-193
 hostname command 4-194

I

icmpoutpacketrates command 4-196
 icons, command for displaying 4-109
 ignoredirect command 4-197
 importdirectory command 4-198
 importprofile command 4-201
 incompleterevoationcheck command 4-203
 InstantDesigner, recommendation 1-27

- inverted signal
 - command for CTS 4-92
 - command for DCD 4-94
 - command for DSR 4-115
 - command for DTR 4-117
 - command for RT 4-308
 - command for RTS 4-309
 - command for ST 4-335
- IP command for line state changes 4-235
- IP dialing speed 4-205
- IP information display on home screen 4-207
- ipaddress command 4-204
- ipdialspeed command 4-205
- ipisdninfo command 4-207
- ipprecaudio command 4-208
- ipprecfecc command 4-208
- ipprecvideo command 4-208
- ipstat command 4-214
- ipv6addrmode command 4-209
- ipv6defaultgateway command 4-211
- ipv6globaladdress command 4-210
- ipv6linklocal command 4-212
- ipv6sitelocal command 4-213
- IR codes C-3
- ISDN cable 2-5
- ISDN command for line state changes 4-235
- ISDN dialing speed 4-218
- ISDN information display on home screen 4-207
- isdnareacode command 4-215
- isdncountrycode command 4-216
- isdndialingprefix command 4-217
- isdndialspeed command 4-218
- isdnum command 4-220
- isdnswitch command 4-221
- K**
- keypadaudioconf command 4-222
- Knowledge Base 3-5
- L**
- LAN cable 2-3
- LAN CAT 5e cable 2-1
- language command 4-223
- lanport command 4-224
- LDAP
 - SSL encryption state 4-233
- LDAP server
 - address 4-231
 - authentication type 4-225
 - base DN 4-226
 - bind DN 4-227
 - password 4-230
 - port 4-232
- ldapauthenticationtype command 4-225
- ldapbasedn command 4-226
- ldapbinddn command 4-227
- ldapdirectory command 4-228
- ldapntlm domain command 4-229
- ldappassword command 4-230
- ldapservers address command 4-231
- ldapservers port command 4-232
- ldapsenabled command 4-233
- ldapusername command 4-234
- linestate command 4-235
- listen command 4-236
- localdatetime command 4-237
- loginwindow command 4-238
- M**
- marqueedisplaytext command 4-239
- maxgabinternationalcallspeed command 4-240
- maxgabinternetcallspeed command 4-241
- maxgabisdncallspeed command 4-242
- maxtimeincall command 4-243
- mcupassword command 4-244
- microphone host cable 2-46, 2-51
- monitor
 - command for split-screen 4-118
 - content presentation 4-84
- monitor1 command 4-246
- monitor1screensaveroutput command 4-247, 4-249
- monitor2 command 4-248
- mpautoanswer command 4-250
- mpmode command 4-251
- mtumode command 4-253
- mtusize command 4-254
- multipoint button, command for access 4-190
- multipoint display mode, command for setting 4-251
- mute command 4-255
- muteautoanswer command 4-256
- N**
- natconfig command 4-257
- nath323compatible command 4-258

nearloop command 4-259
 netstats command 4-260
 nonotify command 4-261
 notifications, line state changes 4-235
 notify command 4-263
 ntpmode command 4-266
 ntpsecondaryserver command 4-267
 ntpserver command 4-268
 null modem adapter 2-65
 numberofmonitors command 4-269
 numdigitsdid command 4-270
 numdigitstext command 4-271

O

oobcomplete command 4-274

P

parameters, configuring 4-83
 parameters, setting multiple 4-83
 password
 command for GDS 4-143
 LDAP server 4-230
 remote access 4-451
 room 4-451
 PathNavigator, command for multipoint calls 4-449
 pause command 4-275
 People 2-45
 People+Content, H.239 command 4-180
 peoplevideoadjustment command 4-276
 phone call, command to answer 4-33
 phone command 4-277
 phone flash command 4-139
 phone number
 command for Global Management System contact 4-174
 command for Global Management System technical support 4-439
 command for room 4-303
 command for system 4-441
 pip command 4-278
 polling 4-5
 Polycom 2-4, 2-14, 2-50
 Polycom CMA system, command for multipoint calls 4-449
 Polycom EagleEye 1080 Camera cable 2-33
 popupinfo command 4-280
 port

LDAP server 4-232
 port settings
 command for fixed 4-447
 command for LAN 4-224
 command for TCP 4-438
 command for the system's Web interface 4-478
 command for UDP 4-445
 POTS cable 2-7
 POTS line, generating DTMF dialing tones 4-166
 PowerCam
 break-out cable 2-41
 connecting as main camera 1-14
 connecting as secondary camera 1-15, 1-16
 control cable 2-42
 primary cable 2-40
 PowerCam Plus
 connecting as main camera 1-17
 connecting as second camera 1-18, 1-20
 primary cable 2-43
 PowerCam Plus HDCI adapter 2-31, 2-32, 2-36
 presentation mode, command for multipoint display 4-251
 preset command 4-281
 PRI cable 2-5
 PRI channel information 4-284
 PRI port assignments 2-6
 pricallbycall command 4-283
 prichannel command 4-284
 pricsu command 4-286
 pridualchannels command 4-287
 priintlprefix command 4-288
 prilinebuildout command 4-289
 prilinesignal command 4-290
 prinumberingplan command 4-291
 prioutsideline command 4-292
 priswitch command 4-293
 processing
 commands 4-5
 PVEC, command to enable 4-127

Q

quality preference 4-467

R

RCA adapter 2-18
 ReadManager, command for multipoint calls 4-449
 reboot command 4-294
 recent calls button, command for access 4-191

- recentcalls command 4-295
 - registerall command 4-296
 - registerthissystem command 4-297
 - registrations 4-5
 - remote control IR codes C-3
 - remotecontrol command 4-298
 - remotemonenable command 4-299
 - requireacctnumtodial command 4-300
 - resetsystem command 4-301
 - resources, API 3-5
 - response
 - syntax 4-3
 - restarting, commands that restart the system
 - without a prompt 4-5
 - room design A-1
 - room layout examples 1-1-1-4
 - roomphonenumber command 4-303
 - RS-232
 - interface
 - configuring 3-1
 - starting an API session 3-3
 - rs232 baud command 4-304
 - rs232 mode command 4-305
 - rs232port1 baud command 4-304
 - rs232port1 mode command 4-305
 - RS-366 cable 2-10, 2-11, 2-12
 - rs366dialing command 4-307
 - RS-449 cable 2-11
 - RS-530 cable 2-12
 - RSVP, command to enable 4-128
 - rt command 4-308
 - rts command 4-309
- S**
- screen command 4-310
 - screen saver setting 4-247, 4-249
 - screencontrol command 4-311
 - Secure RS-232 Interface API Permissions D-1
 - sending commands
 - not during call establishment 4-5
 - serial
 - cable 2-63
 - serialnum command 4-312
 - server
 - command for DNS 4-114
 - command for GDS 4-144
 - command for NTP 4-268
 - servervalidatepeer cert command 4-313
 - session command 4-314
 - sessionsenabled command 4-315
 - setaccountnumber command 4-316
 - setpassword command 4-317
 - showpopup command 4-318
 - sleep command 4-319
 - sleeptext command 4-320
 - sleeptime command 4-321
 - SNMP, command for enabling 4-129
 - snmpadmin command 4-322
 - snmpcommunity command 4-323
 - snmpconsoleip command 4-324
 - snmplocation command 4-325
 - snmpsystemdescription command 4-326
 - snmptrapversion command 4-327
 - soundeffectsvolume command 4-328, 4-329
 - SoundStructure
 - connecting 1-28
 - speaker test, command for 4-167
 - SSL encryption state
 - LDAP 4-233
 - sslverificationdepth command 4-336
 - st command 4-335
 - statistics
 - command for advanced network 4-20
 - command for IP 4-214
 - command for network 4-260
 - status messages, B channel B-1
 - status notifications, command for registering 4-338
 - STD code, command for ISDN 4-215
 - subnetmask command 4-337
 - subwoofer volume attenuator 2-60
 - S-Video
 - adapter 2-17, 2-18
 - cable 2-15, 2-16
 - syntax
 - command response 4-3
 - conventions 4-2
 - sysinfo command 4-338
 - system button, command for access 4-192
 - systemname command 4-339
 - systemsetting commands 4-340-4-424
 - systemsetting telnetenabled command 4-424
- T**
- tcpports command 4-438
 - technical support 3-5

- technical support, command for Global Management System 4-178
- techsupport command 4-439
- teleareacode command 4-440
- telenumber command 4-441
- Telnet session 3-4
- telnetechoel command 4-442
- test numbers, video 3-5
- time in call, command 4-243
- timediffgmt command 4-443
- tones, command for testing 4-167
- typeofservice command 4-444

U

- udpports command 4-445
- unregisterall command 4-446
- URL, command for Global Management System 4-179
- usefixedports command 4-447
- usegatekeeper command 4-448
- usepathnavigator command 4-449
- user settings, command for access 4-31
- useroompassword command 4-451

V

- V.35 cable 2-9, 2-10
- V.35/RS-449/RS-530 adapter 2-8
- v35broadcastmode command 4-452
- v35dialingprotocol command 4-453
- v35num command 4-454
- v35portsused command 4-456
- v35prefix command 4-457
- v35profile command 4-458
- v35suffix command 4-459
- validateacctnum command 4-460
- vcbutton command 4-461
- VCR audio out, command for controlling 4-464
- VCR/DVD composite cable 2-38
- vcaudioout command 4-464
- vcrecordsource command 4-465
- version command 4-466
- VGA
 - cable 2-19
- vgaqualitypreference
 - command for video calls 4-467
- vgaqualitypreference command 4-467
- Video 2-15

- video call, command to answer 4-33
- video integration 1-7
- video protocol, command for H.331 calls 4-186
- video quality 4-467
- video test numbers 3-5
- videocallorder command 4-468
- VISCA cable 2-42
- Visual Concert
 - command for controlling 4-461
- voicecallorder command 4-469
- volume command 4-470
- Vortex
 - cable 2-58
 - connecting 1-27
- vortex command 4-472

W

- waitfor command 4-474
- wanipaddress command 4-476
- webmonitoring command 4-477
- webport command 4-478
- whitelistenabled command 4-479
- whoami command 4-480