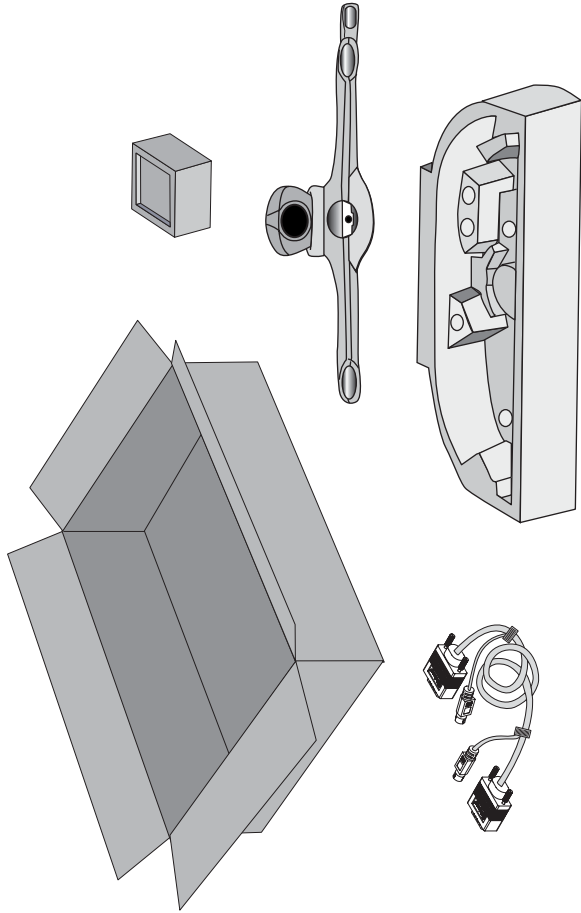
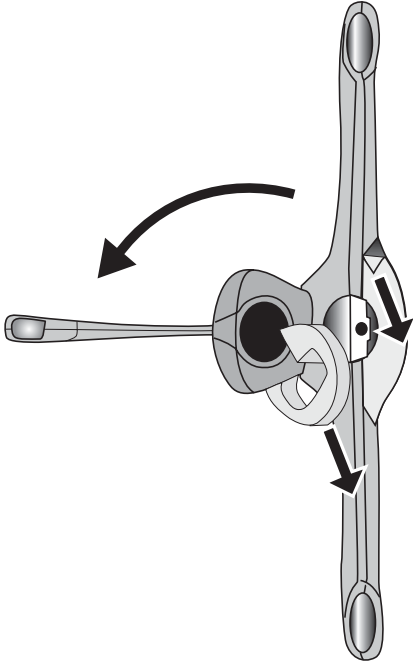


PowerCam™ Plus

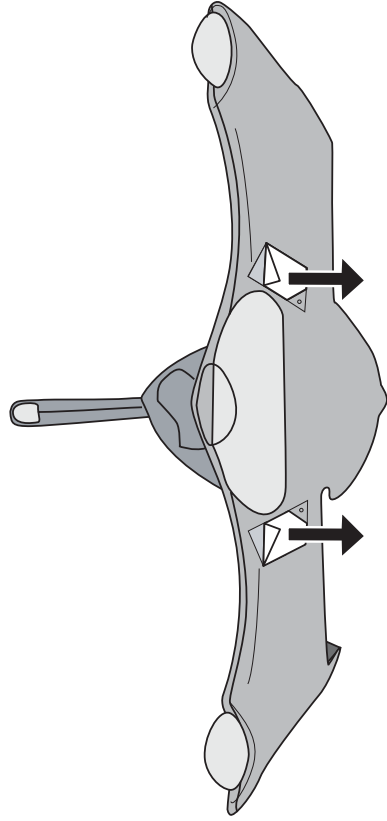
1



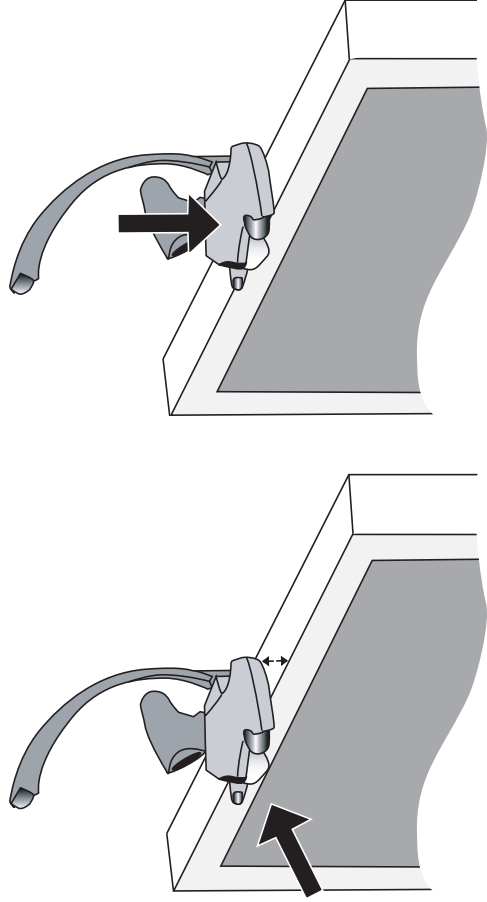
2



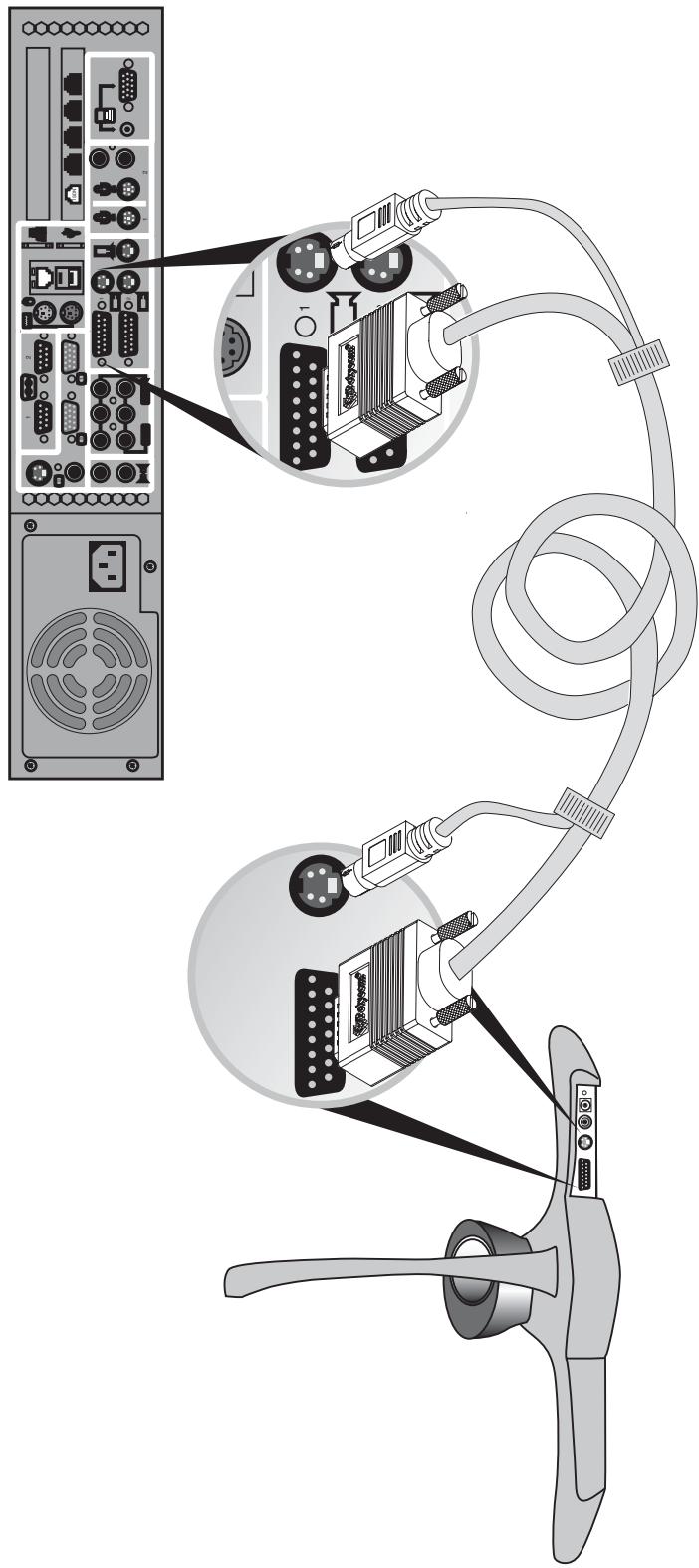
3



4



PowerCam Plus



www.polycom.com

Copyright © 2002: Polycom, Inc.
Polycom and the Polycom logo are registered trademarks of Polycom, Inc.
PowerCam is a trademark of PictureTel Corporation.
Edition: 3725-50343-001/A

